



# Mud Dog Hydro Excavators



Parts, Consumables & Accessories

800.837.9711 • [superproductsllc.com](http://superproductsllc.com)

## TABLE OF CONTENTS

Water Pumps & Repair Parts	4
Water System & Plumbing	5
Heaters & Repair Parts	6
Body Assemblies	10
Boom	15
Vacuum Hoses / Tubes	18
Electrical Systems / Harness / Lights & Accessories	19
Pumps, Motors, Manifolds	26
Nozzles	31
Water Guns & Replacement Parts	34
Clamps & Fittings	36
Gauges	38
Cylinders & Valves	39
PTO / Driveline	41
Filters	42
Fluids: Oil	43
Reel Assemblies & Parts	44
Water Tanks	45
Decals	45
Pendants / Wireless Remote System	46
Chassis & Accessories	48
Hydra-Flex Nozzle Information	50

## PARTS BREAKDOWN

Bearing, Boom with Drive & Motor 53

---

Tailgate Rod Assembly 54

---

Spray Bar 55

---

Assembly Body Flusher 56

---

Assembly Safety Director LED 57

---

Assembly Marker LED, Yellow 58

---

Assembly Tail Gate Left 59

---

Assembly Tail Gate Right 60

---

Wiring, Boom LTS, LED, MD 1600 61

---

Valve Boom/Body/w/Dump 64

---

Manifold, Control, MD 66

---

Roots Blower 1125 DVJ 69

---

OMSI Parts Manual Transfer Case 71

---

Upgrade Kit from Cotta TC to OMSI TC 86

---

Cotta Transfer Case: 7000-00195 88

---

Cotta Transfer Case: 7000-00188 91

**WATER PUMPS**

**Water Pump General**



Part Number	Description
6000-02528 •	Water Pump HF-25
6000-02367	Water Pump HF-22

**Minor Wet End Kit**



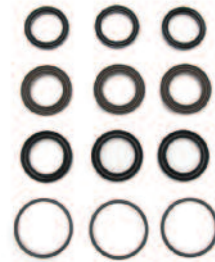
Part Number	Description
7310-03385 •	Minor Wet End Kit HF-25
7310-03384	Minor Wet End Kit HF-22

**Major Wet End Kit**



Part Number	Description
7310-03387 •	Major Wet End Kit HF-25
7310-03386	Major Wet End Kit HF-22

**Packing Kits (set)**



Part Number	Description
7310-03311 •	Water Pump Packing Kits HF-25
7310-02769	Water Pump Packing Kits HF-22

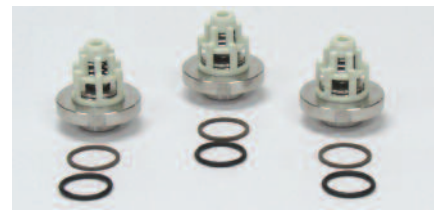
*Kits includes 3 each of packing, packing support, O-rings and restops*

**Water Pump Suction Valve Kit (set)**



Part Number	Description
7310-02991	Water Pump Suction Valve Kit for HF22 and HF25 Pumps

**Water Pump Discharge Valve Kit (set)**



Part Number	Description
7310-02990	Water Pump Discharge Valve Kit for HF22 and HF25 Pumps

**“O” Ring for Plunger Bolt**



Part Number	Description
7310-03350	“O” Ring for Plunger Bolt

## WATER PUMPS

### Plunger



Part Number	Description
7310-03323 •	Plunger HF-25
7310-03322	Plunger HF-22

### Plunger Bolt



Part Number	Description
7310-03324	Plunger Bolt

## WATER SYSTEMS & PLUMBING

### Fill Hose



Part Number	Description
3500-00219	2.5" x 25 Fill Hose

### Anti Freeze Tank – 20 Gallon



Part Number	Description
3500-00679	Anti Freeze Tank – 20 Gallon

### Kit, Accumulator



Part Number	Description
0032944 •	Kit, Accumulator
0031456	Accumulator Only <i>Replaces 6000-01513, Pulsation Dampener</i>

### External Snap Ring for Water Pump Coupling



Part Number	Description
0030878	External Snap Ring for Coupling

### New Style Insert Coupling Water Pump



Part Number	Description
0030922 •	New Style Insert Coupling <i>Replaces 6000-01834</i>
6000-01833	Cover, Coupling

**WATER SYSTEMS & PLUMBING**

**Strainer, 2" Line AA124-2-AL-30**



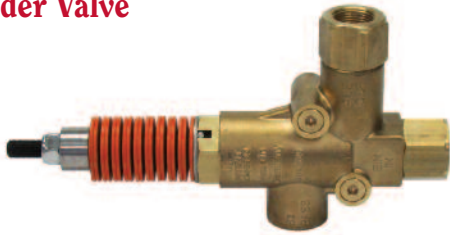
Part Number	Description
20152-003 •	Strainer, 2" Line AA124-2-AL-30
7350-00097	Bowl Strainer
7350-00098	Gasket Strainer
7350-00099	Screen Strainer

**Water Strainer Assembly (1.5")**



Part Number	Description
6000-01793 •	Water Strainer Assembly (1.5")
7310-02185	Gasket
7310-02187	Bowl
7310-02186	Screen

**Unloader Valve**



Part Number	Description
6000-02095 •	Unloader Valve
7310-02279	Cover, Coupling
7310-03378	O-Ring

**Muffler, Speed Control**



Part Number	Description
7310-02735	Muffler, Speed Control

**HEATERS / PARTS**

**Water Heater Aaladin**



Part Number	Description
6000-02523 •	Water Heater Aaladin 750
6000-02282	Water Heater Aaladin 635

**Burner Assembly 750 Heater**



Part Number	Description
7310-03355 •	Burner Assembly 750 Heater
7310-03381	Burner Assembly 635 Heater

## HEATERS / PARTS

### Nozzle for Burner Assembly



Part Number	Description
7310-03055 •	Nozzle for Burner Assembly 750
7310-03054	Nozzle for Burner Assembly 635

### Cabin Heater Assembly



Part Number	Description
3000-02804 •	Cabin Heater Assembly
7310-03060	Fan Motor
7310-03061	Resistor

### Control Module, Burner



Part Number	Description
5500-03189	Control Module, Burner

### Motor, Burner



Part Number	Description
7310-03072	Motor, Burner

### Exhaust Stack



Part Number	Description
0009828 •	Exhaust Stack 750 Water Heater
7310-03278	Exhaust Stack 635 Water Heater

### Cooler, Hydraulic (DCS30)



Part Number	Description
6000-01990 •	Cooler, Hydraulic (DCS30)
7310-03014	Fan

### Upper Coil Weldment



Part Number	Description
7310-02047 •	Upper Coil Weldment 635
7310-03074	Upper Coil Weldment 750

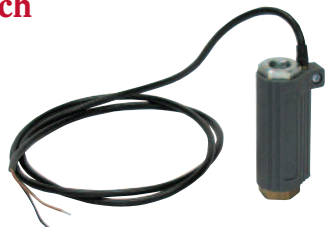
### Cad Cell



Part Number	Description
7310-03070	Cad Cell

**HEATERS / PARTS**

**Flow Switch**



Part Number	Description
7310-02159	Flow Switch

**Thermostat Assembly**



Part Number	Description
7310-02763	Thermostat Assembly

**Relief Valve**



Part Number	Description
7310-02984	Relief Valve

**Insulation Kit**



Part Number	Description
7310-03361 •	Insulation Kit 750
7310-03056	Insulation Kit 635

**Transformer / Ignitor**



Part Number	Description
7310-02761	Transformer / Ignitor

**Electrode Assembly w/Gauge**



Part Number	Description
7310-02941	Electrode Assembly w/Gauge

**T-Gauge Pressure Wash & DC#T-650**

PHOTO NOT AVAILABLE

Part Number	Description
7310-03071	T-Gauge Pressure Wash & DC#T-650

**Tool Contractor**



Part Number	Description
5500-03261	Tool Contractor



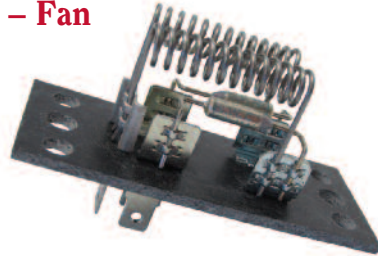
## HEATERS / PARTS

### Fuel Pump



Part Number	Description
7310-03062	Fuel Pump, Aaladin Heater

### Resister – Fan



Part Number	Description
7310-03061	Resister – Fan

### Gasket, Fuel Pump



Part Number	Description
7310-03243	Gasket, Fuel Pump

### Gasket, Burner Assembly



Part Number	Description
7310-03370	Gasket, Burner Assembly 635/750

### Fuel Filter Element



Part Number	Description
7310-03073	Fuel Filter Element

### Coil Wash



Part Number	Description
3060-00050	Coil Wash

### Fuel Pump Filter



Part Number	Description
7310-03290	Fuel Pump Filter

### 750 HEATER

7310-03268	Heat Chamber Assembly
7310-03364	Cold Water Wrap

### 635 HEATER

7310-03069	Heat Chamber Assembly
7310-03057	Cold Water Wrap

**BODY ASSEMBLIES**

**Assembly, Tail Gate Roller**



Part Number	Description
0002609 •	Assembly, Tail Gate Roller
0078-10005	Washers
0054-20225	Bolt
3000-00211	Grease Fitting

**Latch Rod Rollers**



Part Number	Description
2398-00250	Latch Rod Rollers

**Buckle, Push to Open**



Part Number	Description
0002161	Buckle, Push to Open

**Strap Ladder 1 x 24 Black**



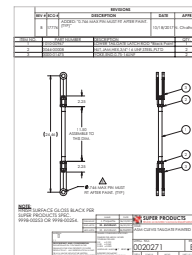
Part Number	Description
0009583	Strap Ladder 1 x 24 Black

**Shaft Latch Roller**



Part Number	Description
4510-00266	Shaft Latch Roller

**Tailgate Rod Assembly**



Part Number	Description
0020271	Rod Assembly, w/Yokes, T/Gate <i>See Engineer Drawing on page 54</i>

**PIN, Clevis, Zinc Plated, 0.75 x 2**



Part Number	Description
0095-20001	PIN, Clevis, Zinc Plated, 0.75 x 2

**Jam Nut for Latch Rods**



Part Number	Description
0044-00008	Jam Nut for Latch Rods

## BODY ASSEMBLIES

### Latch Rod – Tail Gate



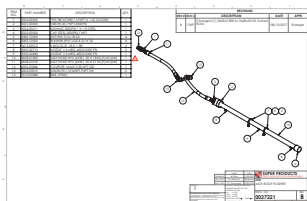
Part Number	Description
1010-00967	Latch Rod – Tail Gate

### End Yoke for Latch Rods, 3/4 x 16



Part Number	Description
3000-01475	End Yoke for Latch Rods, 3/4 x 16

### Spray Bar Assembly



Part Number	Description
0027221	Body Flusher Assembly <i>See Engineer Drawing on page 56</i>

### Bolt Latch



Part Number	Description
4510-00215	Bolt Latch

### Port, Inspection 8 in



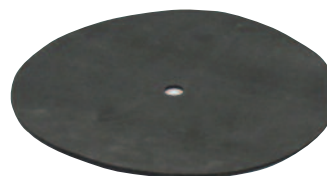
Part Number	Description
3000-01386 •	Port Inspection 8 in
7300-01340	Lower Plate
7300-01341	Retainer Gasket Plate

### Clean-out Port Gasket 8" (Vitron)



Part Number	Description
7310-03259	Clean-out Port Gasket 8" (Vitron)

### Inspection / Clean-out Door Gasket 8"



Part Number	Description
3500-00189	Inspection / Clean-out Door Gasket 8"

### Pin, Pivot 8.0" Fill Cover



Part Number	Description
7300-01352	Pin, Pivot 8.0" Fill Cover

**BODY ASSEMBLIES**

**Stud Assembly**



Part Number	Description
7300-01343	Stud Assembly

**Nut, Pall Fill Cover**



Part Number	Description
7300-01354	Nut, Pall Fill Cover

**Manhole 16" Diameter**



Part Number	Description
3000-03185 •	Manhole 16" Diameter
7300-02795	Gasket Manhole (photo page 13)
7300-02976	Retainer Manhole (photo page 13)

**Body Prop**



Part Number	Description
0026849	Body Prop

**Handle, Separator Door**



Part Number	Description
3000-02419	Handle, Separator Door

**Nozzle for Spray Bar**



Part Number	Description
3000-02840	Nozzle for Spray Bar

**Nozzle for Spray Bar**



Part Number	Description
3000-02713	Nozzle for Spray Bar

**Safety Prop**



Part Number	Description
2010-01086	Safety Prop

**Gasket Adhesive #847 (tube)**



Part Number	Description
3060-00029	Gasket Adhesive #847 (tube) <i>Requires 2 per gasket</i>

**Tail Gate Gasket**



Part Number	Description
3500-00258 •	Tail Gate Gasket
0032890	Tailgate Gasket Nitrile

**Hose Water Discharge, Blue 6"**



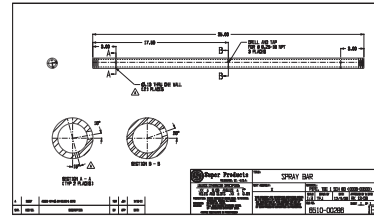
Part Number	Description
3827-00000	Hose Water Discharge, Blue 6" <i>Sold by the Inch</i>

**Roller Assembly, 4 Rollers / Reel**



Part Number	Description
3000-00347	Roller Assembly, 4 Rollers / Reel

**Spray Bar**



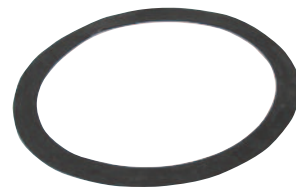
Part Number	Description
6510-00286	Spray Bar <i>See Engineer Drawing on page 55</i>

**Retainer, Manhole**



Part Number	Description
7300-02796	Retainer, Manhole

**Gasket, Manhole**



Part Number	Description
7300-02795	Gasket, Manhole

**Latch, Cabin Door LS & RS**



Part Number	Description
7310-02682	Latch, Cabin Door LS & RS <i>For serial number 599 and older</i>

**BODY ASSEMBLIES**

**Float Ball**



Part Number	Description
3000-02208	Float Ball

**Weldment, Float Support**



Part Number	Description
8500-01657	Weldment, Float Support

**Latch, Cabin Door**



Part Number	Description
7310-03274	Latch, Cabin Door <i>For serial number 600 and higher</i>

**Ejector Plate Guide & Wiper Kit**



Part Number	Description
9810-00425	Kit includes Side Ejector Plate Guide, Wiper Segments and Required Hardware <i>Unit 600 and Newer</i>

**Ejector Plate Guide & Wiper Kit (Older)**



Part Number	Description
9810-00416	Kit includes Side Ejector Plate Guide, Wiper Segments and Required Hardware

**Guide Slide Plate**



Part Number	Description
3500-00699	Guide Slide Plate

**Cylinder, Hydraulic 3.5 x 14 x 1.5 Rod**



Part Number	Description
6000-02520	Cylinder, Hydraulic 3.5 x 14 x 1.5 Rod

**Gasket, Vector Style**



Part Number	Description
3000-03064	Gasket, Vector Style

**Hump Hose**



Part Number	Description
3906-06064 •	8" x 64" Kanaflex Boom Hump Hose
0034847-05058	Nova Flex Sludge Slayer 58"

**Hose, Boom Port**



Part Number	Description
3500-00704 •	8" x 128" Boom Hose (Used on all 10yd, 12yd and 16yd since Series 634)
0034847-05128	Nova Flex Sludge Slayer

**Seal Retainer, Boom**



Part Number	Description
4510-00190P	Seal Retainer, Boom

**Bearing, Boom**



Part Number	Description
4000-00068	Bearing, Boom with Drive and Motor <i>See Engineering Drawing on page 53</i>

**Bearing, Boom w/Drive & Motor**



Part Number	Description
0004996	Bearing, Boom w/Drive & Motor

**Seal, Boom**



Part Number	Description
6000-01251	Seal, Boom with Drive and Motor

**BOOM**

**Fitting, 1/4 QC x 1/8 NPT with**



Part Number	Description
6000-02451	Fitting, 1/4 QC x 1/8 NPT with

**Valve, SSC Divider Quicklube-1**



Part Number	Description
6000-02452	Valve, SSC Divider Quicklube-1

**Plug, Valve Outlet, 1/8 NPT**



Part Number	Description
6000-02453	Plug, Valve Outlet, 1/8 NPT

**SWVL, 90D .25TB x .13 NPT (M)**



Part Number	Description
6000-02454	SWVL, 90D .25TB x .13 NPT (M)

**STR., .25 Tube x .13 NPT (M)**



Part Number	Description
6000-02455	STR., .25 Tube x 13 NPT (M)

**Valve Outlet Adapter w/Check**



Part Number	Description
6000-02462	Valve Outlet Adapter w/Check

**Clamping Ring**



Part Number	Description
6000-02463	Clamping Ring

**.13 NPT (M) x .13 (F) Adapter x .94**

PHOTO NOT AVAILABLE

Part Number	Description
6000-02470	.13 NPT (M) x .13 (F) Adapter x .94



**Plug, Port Hose 8" Male**



Part Number	Description
8500-00284	Plug, Port Hose 8" Male

**Boom Tube Inner**



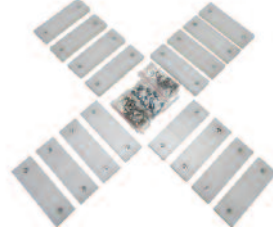
Part Number	Description
8510-02982P •	Boom Tube Inner
8510-03028	Boom Tube Inner 115.94"
8510-03107	Boom Tube Inner 112.94"

**Flange Hose End 8"**



Part Number	Description
0009555	Flange Adapter <i>Replaces 8510-02979</i>

**Boom Slider Kit**



Part Number	Description
9810-00452 •	Boom Slider Kit
3500-00668	Slider, Boom

**Grease Line**

PHOTO NOT AVAILABLE

Part Number	Description
6000-02456	Grease Line <i>Sold by the foot</i>

**Boom Tube Outer**



Part Number	Description
8510-02975	Boom Tube Outer 8' Telescopic <i>For unit 600 and newer</i>

VACUUM HOSES / TUBES

8" Vacuum Hose



Part Number	Description
3906-06098 •	Hose 8" x 98" Separator to Debris Body
3906-06108	Hose 8" x 108" Separator to Debris Body
3906-06119	Hose 8" x 119"
3906-06000	Hose 8" Sold by Foot

6" Aluminum Super Tubes



Part Number	Description
8510-01147 •	Super Tube, Aluminum 6" x 36"
8510-01148	Super Tube, Aluminum 6" x 60"
8510-01371	Super Tube, Aluminum 6" x 84"
8510-00287	Super Tube, Aluminum 6" x 96"
8510-00938	Super Tube, Aluminum 6" x 120"
8510-01326	Super Tube Aluminum 6" x 240"

8" Aluminum Super Tubes



Part Number	Description
8510-01373 •	8" x 36" Aluminum Super Tube
8510-01374	8" x 60" Aluminum Super Tube
8510-01375	8" x 84" Aluminum Super Tube
8510-01290	8" x 96" Aluminum Super Tube
8510-01376	8" x 120" Aluminum Super Tube

Hose 10" x 36" Air Filter to Separator



Part Number	Description
3906-07036	Hose 10" x 36" Air Filter to Separator

Dig Tube 6" Male



Part Number	Description
0034854 •	Dig Tube 6"
9010-00799	Dig Tube 4"
9010-00805	Dig Tube 8"

Cuff, Digging Tube 6"



Part Number	Description
3500-00571 •	Cuff, Digging Tube 6"
3500-00572	Cuff Digging Tube 8"

Clamp, Operator Handle



Part Number	Description
0026946 •	Clamp, 6" Operator Handle 24"
0026948	Clamp, 8" Operator Handle 24"

**DOT Harness Interface**



Part Number	Description
0008371	DOT Harness Interface

**Harness, Throttle Extension**



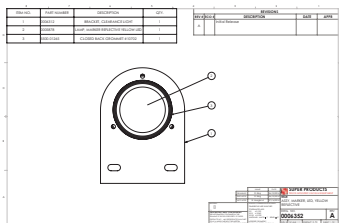
Part Number	Description
0028171	Harness, Throttle Extension

**Level Sensor**



Part Number	Description
0028987-MD	Radar Sensor Programmed

**Side Marker Light Amber 1620**



Part Number	Description
0006352 •	Side Marker Light Amber 1620
0005878	Lamp Reflective
	<i>See Engineering Drawing on page 58</i>

**Harness, Tail Light**



Part Number	Description
0008347 •	Harness, Tail Light, Left
0008348	Harness, Tail Light, Right

**Heater Harness**



Part Number	Description
0025530	Heater Harness

**Safety Director Control Box**



Part Number	Description
0005915	Safety Director Control Box
	<i>See Engineering Drawing on page 57</i>

**Module, Tail Light w/Amber Turn**



Part Number	Description
0006413	Module, Tail Light w/Amber Turn

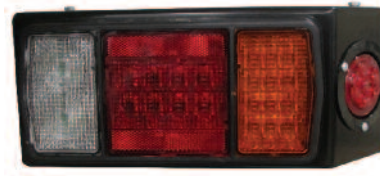
**ELECTRICAL SYSTEM / HARNESS / LIGHTS & ACCESSORIES**

**Assembly, Tail Light, Left**



Part Number	Description
0008353	Assembly, Tail Light, Left <i>See Engineering Drawing on page 59</i>

**Assembly, Tail Light, Right**



Part Number	Description
0008354	Assembly, Tail Light, Right <i>See Engineering Drawing on page 60</i>

**Lamp, Marker / Clearance, Red PC**



Part Number	Description
0006227	Lamp, Marker / Clearance, Red PC

**Lamp, Marker / Clearance, Yellow**



Part Number	Description
0008713	Lamp, Marker / Clearance, Yellow

**Light Box, Rear DOT**



Part Number	Description
0007673	Light Box, Rear DOT

**Gasket, Driveside E-Stop**



Part Number	Description
0009643	Gasket, Driveside E-Stop

**Safety Director Bar, Amber**



Part Number	Description
0005914	Safety Director Bar, Amber

**Filter Indicator Switch**



Part Number	Description
0025252	Switch, Filter Indicator

**Prox Sensor /1620 MD M12**



Part Number	Description
<b>0003934 •</b>	Prox Sensor / 1620 MD M12
<b>3100-01430</b>	Reducer, 30mm Prox

**Gasket Curbside E-Stop Switches**



Part Number	Description
<b>0009642</b>	Gasket Curbside E-Stop Switches <i>Serial 600 to 879</i>
<b>0029454</b>	Gasket Curbside E-Stop Switches <i>Serial 880 and higher</i>

**Fuse 40 Amp Cabinet**



Part Number	Description
<b>0025090</b>	Fuse 40 Amp Cabinet

**Reducer, 30mm Prox**



Part Number	Description
<b>3100-01430</b>	Reducer, 30mm Prox

**Alarm, Mallory**



Part Number	Description
<b>5500-00807</b>	Alarm, Mallory

**Switch, Sealed Toggle**



Part Number	Description
<b>5500-01270</b>	Switch, Sealed Toggle

**Camera Backup**



Part Number	Description
<b>0028543</b>	Camera Backup

**Seal, Toggle Switch**



Part Number	Description
<b>5500-00479</b>	Seal, Toggle Switch

**ELECTRICAL SYSTEM / HARNESS / LIGHTS & ACCESSORIES**

**Switch Gage, Temperature**



Part Number	Description
5500-01145	Switch Gage, Temperature

**Toggle Switch: Eject & Body Tilt**



Part Number	Description
5500-01273	Toggle Switch: Eject & Body Tilt

**Joystick**



Part Number	Description
5500-01283	Joystick <i>For units 599 and older</i>
5500-02058	Push Arrow Switch <i>For unit 600 and newer</i>

**Terminal, Female Disconnect**



Part Number	Description
5500-01332	Terminal, Female Disconnect

**Rotary Heater Switch, Cabinet**



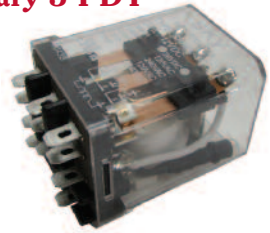
Part Number	Description
5500-01457	Rotary Heater Switch, Cabinet

**Din Connector Water Pump Prop Valve**



Part Number	Description
5500-01545	Din Connector Water Prop Valve

**Relay, Auxillary 3 PDT**



Part Number	Description
5500-01319	Relay, Auxillary 3 PDT

**Relay**



Part Number	Description
5500-01430	Relay

**Knob Heater Switch (for 5500-01457)**



Part Number	Description
5500-01472	Knob Heater Switch (for 5500-01457)

**E Stop Switch**



Part Number	Description
5500-01740	E Stop Switch

**Light, License Kit LED**



Part Number	Description
5500-01881	Light, License Kit LED

**Knob for Potentiometer**



Part Number	Description
5500-02072	Knob for Potentiometer

**Can Bus I/O Hydraulic Control**



Part Number	Description
5500-03030	Can Bus I/O Hydraulic Control <i>Must be programmed prior to shipping</i>

**Potentiometer, 5k Control Cabinet**



Part Number	Description
5500-02070	Potentiometer, 5k Control Cabinet

**Throttle Relay**



Part Number	Description
5500-03017	Throttle Relay

**Digital Display**



Part Number	Description
5500-03052	Digital Display <i>Must be programmed prior to shipping</i>

**ELECTRICAL SYSTEM / HARNESS / LIGHTS & ACCESSORIES**

**LED Light Bar**



Part Number	Description
5500-03089	LED Light Bar

**Axiomatic Control w/Pump Radar**



Part Number	Description
5500-03092	Axiomatic Control w/Pump Radar <i>Part must be programmed prior to shipping for either water pump or radar</i>

**Light, Area LED**



Part Number	Description
5500-03213	Light, Area LED

**Rocket Base, LEDs, Yellow-Green Dash**



Part Number	Description
5500-03218	Rocket Base, LEDs, Yellow-Green Dash

**Rocker, Back Lit, Remote Control Dash**



Part Number	Description
5500-03219	Rocker, Back Lit, Remote Control Dash

**Rocker, Back Lit, Strobe Light Dash**



Part Number	Description
5500-03220	Rocker, Back Lit, Strobe Light Dash

**Rocker, Back Lit, Work Lites Dash**



Part Number	Description
5500-03221	Rocker, Back Lit, Work Lites Dash

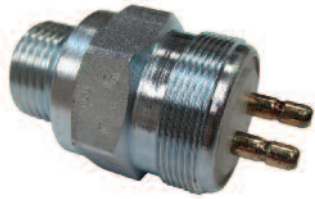
**Indicator Base, LEDs, Yellow-Green**



Part Number	Description
5500-03222	Indicator Base, LEDs, Yellow-Green



**Switch for OMSI Transfer Case**



Part Number	Description
7310-03131	Switch for OMSI Transfer Case

**Operator Control Panel Feet**



Part Number	Description
7310-03363	Operator Control Panel Feet

**Prox Switch with Deutsch Con.**



Part Number	Description
9016-00092 •	Prox Switch with Deutsch Con.
0031777	Deutsch Prox to M12 Prox Conversion Kit

**Light Green Indicator**



Part Number	Description
5500-03083	Light Green Indicator

**Connector, Rocker Dash**



Part Number	Description
5500-03224	Connector, Rocker Dash

**Wiring Protective Cover, for 7310-03131**



Part Number	Description
7310-03132	Wiring Protective Cover, for 7310-03131

**Tach Sensor – Blower Cotta Box**



Part Number	Description
9000-00564	Tach Sensor – Blower Cotta Box

**Tach Sensor – Blower OMSI Box**



Part Number	Description
9016-00098	Tach Sensor – Blower OMSI Box

**ELECTRICAL SYSTEM / HARNESS / LIGHTS & ACCESSORIES**

**Indicator Cap, Vacuum Pump Dash**

NO PHOTO AVAILABLE

Part Number	Description
5500-03223	Indicator Cap, Vacuum Pump Dash

**Light – Rear, Stop, Turn, Tail LED**



Part Number	Description
5500-01903	Light – Rear, Stop, Turn, Tail LED

**Light – Back-up LED**



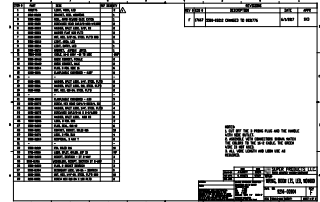
Part Number	Description
5500-01904	Light – Back-up LED

**DOT Junction Box**



Part Number	Description
5500-00042	DOT Junction Box

**Boom Light Kit Option**



Part Number	Description
9216-00904	Boom Light Kit Option

*See Engineering Drawing on page 61*

**Assembly, Work Light**



Part Number	Description
3100-01461	Assembly, Work Light

**Light Cord Reel**



Part Number	Description
5500-00810	Light Cord Reel

**Beacon – Front Strobe**



Part Number	Description
5500-01847	Beacon – Front Strobe

## ELECTRICAL SYSTEM / HARNESS / LIGHTS & ACCESSORIES

### Light Bar – Rear ID



Part Number	Description
9010-01002	Light Bar – Rear ID

### Traffic Director LED



Part Number	Description
5500-02052	Traffic Director LED <i>(no longer available)</i>
7310-03392	Replacement Modules are Available

## PUMPS, MOTORS, MANIFOLDS

### Kit, Hydraulic Drive, Water System



Part Number	Description
0030171	Kit, Hydraulic Drive, Water System <i>Upgrade Kit Replaces 6000-02479</i>

### Manifold, Hydraulic Motor



Part Number	Description
0029761	Manifold, Hydraulic Motor

### Port Block, ME100 Motor



Part Number	Description
0029859	Port Block, ME100 Motor

### Motor, Hydraulic ME100



Part Number	Description
0029616	Motor, Hydraulic ME100

### Cover, Pump Bell Housing



Part Number	Description
0030077	Cover, Pump Bell Housing

**PUMPS, MOTORS, MANIFOLDS**

**Hydraulic Pump Dual Gear**



Part Number	Description
6000-02320	Hydraulic Pump Dual Gear

**Hydraulic Motor**



Part Number	Description
6000-02445 •	"O" Ring for Water Pump Motor
7310-03008	"O" Ring
7310-03009	"O" Ring

**Manifold, Hydraulic – JIC**



Part Number	Description
4510-00274	Manifold, Hydraulic – JIC

**Manifold, Pneumatic 3-Port**



Part Number	Description
6000-02465	Manifold, Pneumatic 3-Port

**Blower Roots 1125 DVJ**



Part Number	Description
6000-02217 •	Blower Roots 1125 DVJ
7300-02622	Seal Kit

**Hydraulic Motor & Manifold Assembly**



Part Number	Description
6000-02479	Hydraulic Motor & Manifold Assembly

**Coupling Half**



Part Number	Description
0029638 •	Coupling Half
0030922	Insert Coupling

**Wldmt Hydraulic Motor Mount ME100**



Part Number	Description
0029765	Wldmt Hydraulic Motor Mount ME100

## PUMPS, MOTORS, MANIFOLDS

### Gauge, Hyd. 4000 PSI MD Water System



Part Number	Description
0031969	Gauge, Hyd. 4000 PSI MD Water System

### Coil, 12VDC MD Water System



Part Number	Description
0031968	Coil, 12VDC MD Water System

### Valve, Prop MD Water System



Part Number	Description
0031967	Valve, Prop MD Water System

### “O” Ring for Water Pump Motor



Part Number	Description
7310-03009	“O” Ring for Water Pump Motor

### Cartridge, Proportional Valve, Boom



Part Number	Description
7310-03032	Cartridge, Proportional Valve, Boom

### “O” Ring for Water Pump Motor



Part Number	Description
7310-03008	“O” Ring for Water Pump Motor

### Seal Drive Roots 1125 DVJ



Part Number	Description
7300-02622	Seal Drive Roots 1125 DVJ

**CYLINDERS & VALVES**

**Cartridge, Proportional Valve / Boom**



Part Number	Description
7310-03032	Cartridge, Proportional Valve

**6" Gate Valve**



Part Number	Description
0001895 •	6" Gate Valve
7310-02957	Handle

**Gasket, Rubber, Vacuum Relief Door**



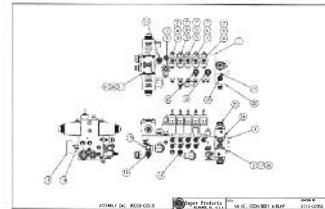
Part Number	Description
0025005	Gasket, Rubber, Vacuum Relief

**Manifold, Control, MD**



Part Number	Description
0033475	Manifold, Control, MD For unit 941 and newer <i>See Engineering Drawing on Page 66</i>

**Boom Valve**



Part Number	Description
6000-02518	Boom Valve For unit 940 and older <i>See Engineering Drawing on Page 64</i>

**Throttle Valve 1 Tailgate 2 Boom**



Part Number	Description
0005611	Throttle Valve 1 Tailgate 2 Boom

**Valve Assembly, Over Center**



Part Number	Description
0027364	Valve Assembly, Over Center

**Valve, Flow Control, ADJ. SAE-06**



Part Number	Description
0033813	Valve, Flow Control, ADJ. SAE-06

**CYLINDERS & VALVES**

**Throttle Valve, Hydraulic**



Part Number	Description
6000-01719	Throttle Valve, Hydraulic

**Coil Proportional Valve / Boom**



Part Number	Description
7310-03033	Coil Proportional Valve / Boom

**NOZZLES**

**Turbo Nozzles**



Part Number	Description
0003955 •	Turbo Nozzle 6 GPM @ 3000 PSI
6000-02491	Turbo Nozzle 8 GPM @ 3000 PSI
7310-03015	Repair Kit for 6000-02491

**Rip Saw Nozzles**



Part Number	Description	Nozzle Size
0027520 •	Rip Saw Nozzle	6
0027518	Rip Saw Nozzle	8
0034401	Rip Saw Nozzle	10
0027694	Rip Saw Nozzle	12

*See product literature on page 50*

**Turbo Nozzle Repair Kit**



Part Number	Description
7310-03015	Turbo Nozzle Repair Kit for 6000-02491

**Rip Saw Nozzles – High Density**



Part Number	Description	Nozzle Size
0027520-HD •	Rip Saw Nozzle – High Density	6
0027518-HD	Rip Saw Nozzle – High Density	8
0034401	Rip Saw Nozzle – High Density	10
0027694-HD	Rip Saw Nozzle – High Density	12

*See product literature on page 50*

**NOZZLES**

**Linear Excavation Nozzle Pill, 4.0**



Part Number	Description
0030266	Linear Excavation Nozzle Pill, 4.0 – Orange

**Linear Excavation Nozzle Pill, 10.0**



Part Number	Description
0030460	Linear Excavation Nozzle Pill, 10.0 – White

**Linear Excavation Nozzle Pill, 8.0**



Part Number	Description
0030265	Linear Excavation Nozzle Pill, 8.0 – Black

**Linear Excavation Nozzle Pill, 3.0**



Part Number	Description
0030453	Linear Excavation Nozzle Pill, 3.0 – Green

**Linear Excavation Nozzle Pill, 1.0**



Part Number	Description
0030451	Linear Excavation Nozzle Pill, 1.0 – Blue

**Linear Excavation Nozzle Pill, 6.0**



Part Number	Description
0030459	Linear Excavation Nozzle Pill, 6.0 – Red

**Linear Excavation Nozzle Pill, 12.0**



Part Number	Description
0030462	Linear Excavation Nozzle Pill, 12.0 – Pink



## NOZZLES

### Switchblade Ace, Body Only



Part Number	Description
0030512	Switchblade Ace, Body Only

### Switchblade Duece, Body Only



Part Number	Description
0030513	Switchblade Duece, Body Only

### Switchblade Quad, Body Only



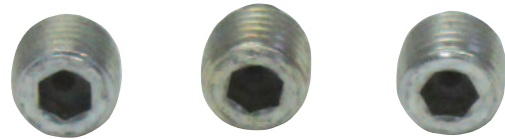
Part Number	Description
0030514	Switchblade Quad, Body Only

### Plug, 1/8 NPT, SS-316, Counter Sunk



Part Number	Description
0030463	Plug, 1/8 NPT, SS-316, Counter Sunk

### Nozzle Inserts for 4500-00230



Part Number	Description
6000-01977	Nozzle Inserts for 4500-00230

### Rip Saw Nozzle Repair Kits



Part Number	Description
0026364 •	Repair Kit for 0026363
0027519	Repair Kit for 0027518
0027521	Repair Kit for 0027520
0027695	Repair Kit for 0027695

**WATER GUNS & REPLACEMENT PARTS**

**1/2" O.D. Male Coupling without Valve**



Part Number	Description
6000-02486	1/2" O.D. Male Coupling without Valve

**1/2" O.D. Female Coupling with Valve**



Part Number	Description
6000-00684	1/2" O.D. Female Coupling with Valve

**1/2" O.D. Male Coupling with Valve**



Part Number	Description
6000-00685	1/2" O.D. Male Coupling with Valve

**1/2" O.D. Female Coupling without Valve**



Part Number	Description
6000-00975	1/2" Female Coupling without Valve

**Adjustable Nozzle**



Part Number	Description
6000-01875	Adjustable Nozzle

**Lance, Switchblade Quad Nozzle**



Part Number	Description
0030688	Lance, Switchblade Quad Nozzle

**Lance, Ripsaw – HD Nozzle, 10 GP**



Part Number	Description
0034403	Lance, Ripsaw – HD Nozzle, 10 GP

## WATER GUNS & REPLACEMENT PARTS

### Assembly, Wash-down Hand Gun w/Lance



Part Number	Description
0023397	Assembly, Wash-down Hand Gun w/Lance

### Water Lance Assembly



Part Number	Description
9010-01150	Water Lance Assembly

### Hand Gun Only



Part Number	Description
6000-01826	Hand Gun Only

### Hand Gun Assembly 21gpm



Part Number	Description
9010-01146	Hand Gun Assembly 21gpm

### Pipe Extensions



Part Number	Description
9010-01194 •	30" x 1/2" Pipe Extension
9010-01195	60" x 1/2" Pipe Extension

**CLAMPS & FITTINGS**

**Adapter, Hose End, Long**



Part Number	Description
0009555	Adapter, Hose End, Long <i>Replaces 8510-02979</i>

**Flange, Cannon Carburized**



Part Number	Description
0009552	Flange, Cannon Carburized <i>Replaces 8510-02978</i>

**Flange, 8" Hose**



Part Number	Description
0020040	Flange, 8" Hose <i>Replaces 8510-02994</i>

**Adapter, Hose End Short**



Part Number	Description
0009556	Adapter, Hose End Short <i>Replaces 8510-01473</i>

**Clamp, Quick Change 10"**



Part Number	Description
0002090	Clamp, Quick Change 10"

**Clamp, Spiral**



Part Number	Description
0258-00006 •	Clamp, Spiral, 6"
0258-00007	Clamp, Spiral, 8"

**Clamp, Double Bolt 6"**



Part Number	Description
3000-02373	Clamp, Double Bolt 6"

**Clamp, Double Bolt 8"**



Part Number	Description
3000-00136	Clamp, Double Bolt 8"

## CLAMPS & FITTINGS

### Clamp, Hose 10" Relief Valve Gasket



Part Number	Description
3000-00139	Clamp, Hose 10" Relief Valve Gasket

### Clamp, Hose 5.63" to 6.5"



Part Number	Description
3000-00325	Clamp, Hose 5.63" to 6.5"

### Clamp, Vector Style 8"



Part Number	Description
3000-02276	Clamp, Vector Style 8"

### Lock Ring, Aluminum CPLRS



Part Number	Description
3000-00825 •	Lock Ring, 8" Aluminum
3000-00824	Lock Ring, 6" Aluminum

### Reducer, 8" M x 6" F Aluminum



Part Number	Description
3000-00929	Reducer, 8" M x 6" F Aluminum

### Adapter, Male 6" NPT Camlock



Part Number	Description
3000-01246	Adapter, Male 6" NPT Camlock

### Cap, Camlock w/Barbs



Part Number	Description
0500-00011	Cap, Camlock w/Barbs

### Cap, Camlock, 6"



Part Number	Description
0492-00003	Cap, Camlock, 6"

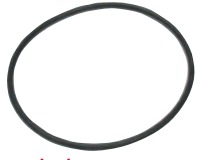
**CLAMPS & FITTINGS**

**Hose End-Port Hose**



Part Number	Description
8500-03149	Hose End-Port Hose

**"O" Ring**



Part Number	Description
3500-00206 •	"O" Ring 6"
3500-00205	"O" Ring 8"

**GAUGES**

**Pressure Gauge – Water**



Part Number	Description
6000-01316	Pressure Gauge – Water

**Gauge, Hydraulic 4000PSI MD Water System**



Part Number	Description
0031969	Gauge, Hydraulic 4000PSI MD Water System

**Vacuum Gauge**



Part Number	Description
6000-00524	Vacuum Gauge

**Gauge, Sight / Temperature**



Part Number	Description
7300-01908	Gauge, Sight / Temperature

**Gauge, Filter Indicator**



Part Number	Description
6000-00795	Gauge, Filter Indicator

**Gauge, Sight / Temperature**



Part Number	Description
6000-02480 •	Gauge, Sight / Temperature
7310-03340	Gauge, Sight for 36 Gallon Hydraulic Tank

**Gauge, OMSI Oil Sight Level**



Part Number	Description
0000099	Gauge, OMSI Oil Sight Level

## CYLINDERS & VALVES

### Cylinder, Hydraulic Tele. – 16 yrd



Part Number	Description
0005767	Cylinder, Hydraulic Tele. (16 yrd-JIC) <i>Replaces 6000-2541</i>

### Pusher Plate Cylinder – 10 yrd



Part Number	Description
0005766 •	Pusher Plate Cylinder – 10 yrd.
6000-02460	Pusher Plate (Single Trunnion)

### Cylinder, Hydraulic 4 x 24, Spheric



Part Number	Description
0007529	Cylinder, Hydraulic 4 x 24, Spheric <i>Replaces 6000-02476 and 0007533</i>

### Cylinder, Hydraulic Tele. – 12 yrd-JIC



Part Number	Description
0007536	Cylinder, Hydraulic Tele. (12yd-JIC)

### Vacuum Relief Air Valve



Part Number	Description
6000-02286 •	Vacuum Relief Air Valve
5500-00008	Cord Grip

### Valve, 4 Way



Part Number	Description
6000-00536	Valve, 4 Way

### Knob, Air Valve



Part Number	Description
7300-01146	Knob, Air Valve

### Valve, Pressure Protection



Part Number	Description
0024453	Valve, Pressure Protection

**CYLINDERS & VALVES**

**Rear Door Lift Cylinder**



Part Number	Description
6000-02043	Rear Door Lift Cylinder

**Tailgate Latch Cylinder**



Part Number	Description
6000-02461	Tailgate Latch Cylinder
6000-02363	Cylinder Hydraulic 2.5 x 6

**Valve, Ball – Bronze 0.50 Low PR**



Part Number	Description
6000-01030-0003	Valve, Ball – Bronze 0.50 Low PR

**Ball Valve 1.5" Water Supply Shut Off**



Part Number	Description
6000-01030-0007	Ball Valve 1.5" Water Supply Shut Off

**Water Pump Ball Valve – Drain**



Part Number	Description
6000-01131	Water Pump Ball Valve – Drain

**By-pass Ball Valve**



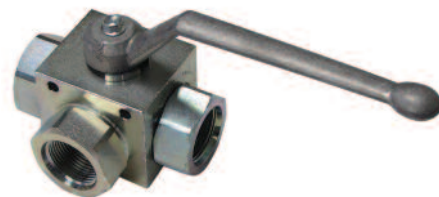
Part Number	Description
6000-01150	By-pass Ball Valve

**Vacuum Relief Cylinder**



Part Number	Description
6000-01314	Vacuum Relief Cylinder

**Valve, 3-Way Ball Valve SAE 16**



Part Number	Description
6000-02544	Valve, 3-Way Ball Valve SAE – Hydraulic



## CYLINDERS & VALVES

### Valve, Relief w/Vent, Sterling



Part Number	Description
6000-01841	Valve, Relief w/Vent, Sterling

### Ball Valve 3" Tank Drain



Part Number	Description
6000-02493 •	Ball Valve 3" Tank Drain
0005776	Handle

### Ball Valve 2" w/Lock



Part Number	Description
6000-02466	Ball Valve 2" w/Lock

### Gasket – Port Hole



Part Number	Description
3500-00014 •	Gasket – Port Hole
3500-00066	Gasket – Vent Door

## PTO / DRIVELINE

### OMSI Transfer Case 10810047-03



Part Number	Description
7000-00198	OMSI Transfer Case 10810047-03 <i>See Parts Breakdown on page 71</i>
0029121	OMSI Transfer Case Retro Kit <i>See Parts Breakdown on page 86</i>

### Air Shift Solenoid Valve

Part Number	Description
0005456	Air Shift Solenoid Valve

### Flange, Companion (1125 DVJ)



Part Number	Description
4500-00227	Flange, Companion (1125 DVJ)

### Transfer Case Cable



Part Number	Description
7018-15600	Transfer Case Cable

### Cotta Transfer Case

Part Number	Description
7000-00195	Cotta Transfer Case <i>See Parts Breakdown on page 88</i>
7000-00188	Cotta Transfer Case <i>See Parts Breakdown on page 91</i>

**PTO / DRIVELINE**

**PTO 8-Bolt 489XLAHX-A3GK**



Part Number	Description
7006-00190 •	PTO 8-Bolt 489XLAHX-A3GK
7006-00184	PTO 8-Bolt 489GHAHX-A3GK

**PTO Pressure Switch**



Part Number	Description
7300-01318	PTO Pressure Switch

**FILTERS**

**Strainer, Suction**



Part Number	Description
6000-02483	Filter for Hydraulic Tank

**Hydraulic Filter**



Part Number	Description
6000-02482	Hydraulic Filter <i>Units 600 to 917</i>

**Final Filter**



Part Number	Description
3000-02991 •	Final Filter
8510-02157	Wing Nut, Air Filter

**Filter, Replacement – Tank MTD.**



Part Number	Description
6000-02497	Filter, Replacement – Tank MTD. <i>Units 918 and Up</i>

**Hydraulic Filter Spin-on**



Part Number	Description
6000-00794	Hydraulic Filter Spin-on <i>Units 599 and Older</i>

**Filter Housing Gasket**



Part Number	Description
0005155	Filter Housing Gasket

**Seal Kit (Filter 6000-02485)**



Part Number	Description
7310-03269	Seal Kit (Filter 6000-02485)

## FLUIDS OIL

### ISO 150 Synthetic Oil



Part Number	Description
3060-00047	ISO 150 Synthetic Oil

### Chevron Rando Premium Hydraulic Oil



Part Number	Description
3060-00048	Chevron Rando Premium Hydraulic Oil

## REEL ASSEMBLIES & PARTS

### Hose Reel without Hose



Part Number	Description
6000-02448	Hose Reel without Hose

### Hose Reel Air Motor



Part Number	Description
7310-03068	Hose Reel Air Motor

### .50" x 50' Hose Assembly



Part Number	Description
3643-60000	.50" x 50' Hose Assembly Units 400-599

### .50" x 100' Hose Assembly



Part Number	Description
3000-03248	.50" x 100' Hose Assembly Units 600 to Present

**REEL ASSEMBLIES & PARTS**

**Hose Reel Swivel**



Part Number	Description
7310-02200	Hose Reel Swivel

**Hose Reel Brake**



Part Number	Description
7310-03253	Hose Reel Brake

**Hose Reel Hub**



Part Number	Description
7310-03067	Hose Reel Hub

**Muffler, Speed Control**



Part Number	Description
7310-02735	Muffler, Speed Control

**WATER TANKS**

**Water Tank Filter Door Assembly**



Part Number	Description
9010-00521	Water Tank Filter Door Assembly

**Bulk Head Fitting for Sight Glass**



Part Number	Description
3500-00352	Bulk Head Fitting for Sight Glass

**Sight Glass, Water Tank Level**



Part Number	Description
3000-01914	Sight Glass, Water Tank Level

**Water Tank Cover**



Part Number	Description
7310-01873	Water Tank Cover

## WATER TANKS

### 250 Gallon Water Tanks



Part Number	Description
0000153 •	Tank, Water, 250 Gallon, New Style
3500-00338	Old Style

## DECALS

### Remote Decal MD 1600 & 1200



Part Number	Description
3050-01224	Remote Decal MD 1600

### Remote Decal 10 yrd



Part Number	Description
3050-01185	Remote Decal 10 yrd

### Remote Decal Individual Tailgate Function

NO PHOTO AVAILABLE

Part Number	Description
0029396	Remote Decal Individual Tailgate Function

### Remote Decal 16 yrd

NO PHOTO AVAILABLE

Part Number	Description
3050-01291	Remote Decal 16 yrd

**PENDANTS / WIRELESS REMOTE SYSTEM**

**Antenna Replacement Remtron Longer 9"**



Part Number	Description
0029323	Antenna Replacement Remtron Longer 9"

**Pendant, Wireless, MD**



Part Number	Description
0030399	Pendant, Wireless, MD

**Receiver, Wireless, VC134, CAN**



Part Number	Description
0030398	Receiver, Wireless, VC134, CAN

**Pendant, Wired, MD**



Part Number	Description
0030400	Pendant, Wired, MD

**Kar-Tech Replacement Kit**



Part Number	Description
0033140	Remtron to Kar-Tech Conversion Kit 600 and newer

**Kar-Tech Remote System, GIGA**

See individual photos

Part Number	Description
0030490	Kar-Tech Remote System, GIGA <i>Consist of wireless transmitter, wired transmitter, receiver, charger and shoulder strap assembly</i>

**Lanyard, Wire Rope, SS, 12"**



Part Number	Description
3000-03241	Lanyard, Wire Rope, SS, 12"

## PENDANTS / WIRELESS REMOTE SYSTEM

### Ring Twist Lock



Part Number	Description
0034268	Ring Twist Lock

### Charger, Wireless Pendant



Part Number	Description
0030423	Charger, Wireless Pendant

### Antenna, Receiver, Wireless VC134 KAR-TECH



Part Number	Description
0034412	Antenna, Receiver, Wireless VC134

### Shoulder Strap Assembly



Part Number	Description
0034269	Shoulder Strap Assembly

### Antenna Mounting Kit, Remtron, 9'



Part Number	Description
7310-02128	Antenna Mounting Kit, Remtron, 9'

### Leather Holder, Transmitter (S), Remtron



Part Number	Description
7310-02129	Leather Holder, Transmitter (S)

### Antenna Replacement Remtron



Part Number	Description
7310-02254	Antenna Replacement Remtron

### Rubber Key Pad for Remote



Part Number	Description
7310-02584	Rubber Key Pad for Remote

**PENDANTS / WIRELESS REMOTE SYSTEM**

**Sling, Wireless Pendant**



Part Number	Description
7310-02588	Sling, Wireless Pendant

**Pendant, Wired**



Part Number	Description
9010-01165	Pendant, Wired

**Transmitter, Remote – Blank, Remtron**



Part Number	Description
7310-02647	Transmitter, Remote – Blank, Remtron <i>Need Truck Serial Number for Programming</i>

**CHASSIS & ACCESSORIES**

**Orange Safety Cone**



Part Number	Description
3000-03006	Orange Safety Cone

**Mud Flaps**



Part Number	Description
3500-00674 •	Mud Flaps
0031610	Mud Flap – no Logo Available

**Clevis Assembly, 60 Series**



Part Number	Description
7002-00020	Clevis Assembly, 60 Series

**Lever, Control 3" Travel**



Part Number	Description
7002-00048	Lever, Control 3" Travel



## CHASSIS & ACCESSORIES

### Cable, Bolt – Split Shaft, Rear End



Part Number	Description
7018-15600	Cable, Bolt – Split Shaft

### Sight Plug, Roots Blower



Part Number	Description
7300-02282	Sight Plug, Roots Blower 6000-02217

### Tailgate PO Check Valve Latch



Part Number	Description
0026661	Tailgate PO Check Valve Latch

# NOZZLE FLOW RATE CHART

## U.S. STANDARD MEASUREMENTS

NOZZLE SIZE	ORIFICE DIAMETER IN (INCHES)	MEASUREMENTS IN GALLONS PER MINUTE (GPM)														
		40 PSI (2.8 bar)	100 PSI (6.9 bar)	250 PSI (17.2 bar)	500 PSI (34.5 bar)	800 PSI (55.2 bar)	1000 PSI (68.9 bar)	1200 PSI (82.7 bar)	1500 PSI (103.4 bar)	2000 PSI (127.9 bar)	2500 PSI (172.4 bar)	3000 PSI (206.8 bar)	3500 PSI (241.3 bar)	4000 PSI (275.8 bar)	5000 PSI (344.7 bar)	
1.0	.026	0.10	0.16	0.25	0.35	0.45	0.50	0.55	0.61	0.70	0.79	0.87	0.94	1.00	1.11	
2.0	.035	0.20	0.32	0.50	0.71	0.89	1.00	1.10	1.22	1.44	1.58	1.73	1.87	2.00	2.24	
2.5	.039	0.25	0.40	0.63	0.88	1.12	1.25	1.37	1.53	1.77	1.98	2.17	2.34	2.50	2.80	
3.0	.043	0.30	0.47	0.75	1.06	1.34	1.50	1.64	1.84	2.12	2.37	2.60	2.81	3.00	3.35	
3.5	.048	0.35	0.55	0.88	1.24	1.57	1.75	1.92	2.14	2.47	2.77	3.03	3.27	3.50	3.91	
4.0	.052	0.40	0.63	1.00	1.41	1.79	2.00	2.19	2.45	2.83	3.16	3.46	3.74	4.00	4.47	
4.5	.055	0.45	0.71	1.13	1.59	2.01	2.25	2.46	2.76	3.18	3.56	3.90	4.21	4.50	5.03	
5.0	.057	0.50	0.79	1.25	1.77	2.24	2.50	2.74	3.06	3.54	3.95	4.33	4.68	5.00	5.59	
5.5	.060	0.55	0.87	1.38	1.94	2.46	2.75	3.01	3.37	3.89	4.35	4.76	5.14	5.50	6.15	
6.0	.062	0.60	0.95	1.50	2.12	2.68	3.00	3.29	3.67	4.24	4.74	5.20	5.61	6.00	6.71	
6.5	.064	0.65	1.03	1.63	2.30	2.91	3.25	3.56	3.98	4.60	5.14	5.63	6.08	6.50	7.27	
7.0	.067	0.70	1.11	1.75	2.47	3.13	3.50	3.83	4.29	4.95	5.53	6.06	6.55	7.00	7.83	
7.5	.070	0.75	1.19	1.88	2.65	3.35	3.75	4.11	4.59	5.30	5.93	6.50	7.02	7.50	8.39	
8.0	.072	0.80	1.26	2.00	2.83	3.58	4.00	4.38	4.90	5.66	6.32	6.93	7.48	8.00	8.94	
8.5	.074	0.85	1.34	2.13	3.01	3.80	4.25	4.66	5.21	6.01	6.72	7.36	7.95	8.50	9.50	
9.0	.076	0.90	1.42	2.25	3.18	4.02	4.50	4.93	5.51	6.36	7.12	7.79	8.42	9.00	10.06	
9.5	.078	0.95	1.50	2.38	3.36	4.25	4.75	5.20	5.82	6.72	7.51	8.23	8.89	9.50	10.62	
10.0	.080	1.00	1.58	2.50	3.54	4.47	5.00	5.48	6.12	7.07	7.91	8.66	9.35	10.00	11.18	
11.0	.083	1.10	1.74	2.75	3.89	4.92	5.50	6.02	6.74	7.78	8.70	9.53	10.29	11.00	12.30	
12.0	.087	1.20	1.90	3.00	4.24	5.37	6.00	6.57	7.35	8.49	9.49	10.39	11.22	12.00	13.42	



## HYDRO-EXCAVATION NOZZLES SAFETY BEST PRACTICES

### NOZZLE SELECTION AND SIZING

Using a smaller nozzle size (less flow) and lowering pressure settings in the presence of underground utilities are critical safety precautions. Select the smallest nozzle size appropriate for the job.

### RECOMMENDED NOZZLE SAFETY GUIDELINES

1. Always wear the proper PPE (Personal Protective Equipment) when using these nozzles.
2. Do not point nozzle at people or animals. Serious injury can result from high-pressure water from these nozzles.
3. Nozzles are recommended for use with high-pressure spray wand with automatic shut-off (Dead man's switch).
4. Always observe proper grounding procedures when performing hydro-excavation.
5. Urethane coating on the nozzle tip is designed for safety. Replace nozzle when urethane coating is worn.
6. **A distance of at least 8" must be maintained between the nozzle tip and the underground facility and/or subsoil. The nozzle should never be inserted into the soil.**
7. **The wand/nozzle shall never remain motionless during excavation. Aiming directly at the underground utilities should be avoided at all times.**
8. **Observe the referenced industry best practices for recommended maximum pressures for rotating nozzles within 18" of utilities. Within 18" of utilities the operator should lower water inlet pressure from normal operating pressure and use the nozzle to "wash down" the utility, not to blast.**
9. **Static nozzles are not to be used within 18" of utilities.**

#### **!CAUTION: HIGH PRESSURE WATER NOZZLES MAY DAMAGE BURIED UTILITIES!**

High-pressure nozzles can damage buried utilities. While Hydra-Flex rigorously tests its product to limit the likelihood of damage in the case of an accidental encounter with buried utilities, it is not possible to completely eliminate the possibility of damage. Using a smaller nozzle size (less flow) and lowering operating pressure when near underground utilities are critical to reducing the likelihood of any damage.

Buried utilities vary dramatically in their ability to resist damage. All utilities become less damage resistant with age, soil conditions and other factors. Hydra-Flex cannot assure this product will not cause damage to all buried utilities.

*These high-pressure water nozzles are provided as is without any guarantees or warranty. Hydra-Flex, Inc. makes no warranties of any kind, either express or implied, including but not limited to warranties of merchantability, fitness for a particular purpose, of title, or of noninfringement of third party rights. In no event shall Hydra-Flex, Inc. be liable to the buyer or any third party for any indirect, incidental, special, consequential, punitive or exemplary damages including without limitation lost profits, lost savings, or loss of business opportunity arising out of or relating to any product or service provided or to be provided by Hydra-Flex, Inc. or the use or inability to use the same, even if Hydra-Flex, Inc. has been advised of the possibility of such damages. In no event shall Hydra-Flex's liability exceed the buyers purchase price. Use of the product by a user is at the user's risk.*



# HYDRO-EXCAVATION NOZZLES

## SAFETY BEST PRACTICES

Hydro-Excavation, when performed properly, can be a safe and efficient alternative to traditional excavation methods or the use of hand-tools to expose underground utilities. As with any excavation project, hydro-excavators must:

- Follow all federal, state, and local rules and regulations.
- Follow industry best practices and the project requirements as set forth by their employer, the facility owner, the project owner, etc.
- Obtain underground utility locations (call 8-1-1 to reach your local One Call Center prior to beginning work.)
- Use equipment designed specifically for hydro-excavation.
- Equipment must be operated by trained, competent, and qualified workers.
- Read and understand all equipment manuals prior to operation.

### INDUSTRY BEST PRACTICES REFERENCES:

#### Common Ground Alliance: Best Practices Guide

Available online at:

<http://www.commongroundalliance.com/best-practices-guide>

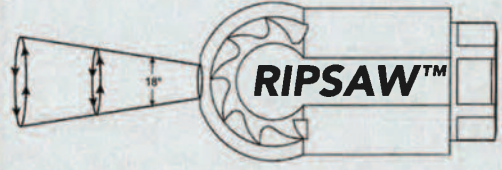
#### Gas Technology Institute: Vacuum Excavation Best Practice & Guideline

Available online at:

[http://www.gastechnology.org/Expertise/Documents/KeyholeTechnology/Guidelines/Keyhole-Vacuum-Excavation-Guideline\\_v10-Jan2012.pdf](http://www.gastechnology.org/Expertise/Documents/KeyholeTechnology/Guidelines/Keyhole-Vacuum-Excavation-Guideline_v10-Jan2012.pdf)

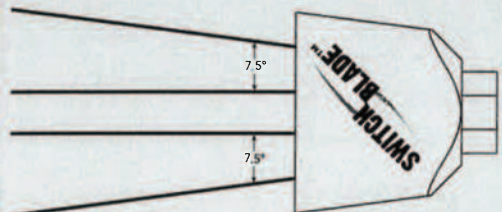
### NOZZLE TYPES:

Several nozzle types are available for different types of applications or project conditions. Just like picking the right silverware from the drawer – do you need a knife, a fork, or a spoon?



**ROTATING/TURBO/SPINNING NOZZLE**  
(*Ripsaw Rotating Turbo Nozzle*):

Dynamic 0° straight water stream that rotates at a high speed to form a cone-shaped flow pattern that is ideal for potholing applications. Typically a rotating nozzle is less likely to do damage than the same size, same pressure straight tip nozzle. A rotating water stream contacts the substrate for a shorter duration of time.



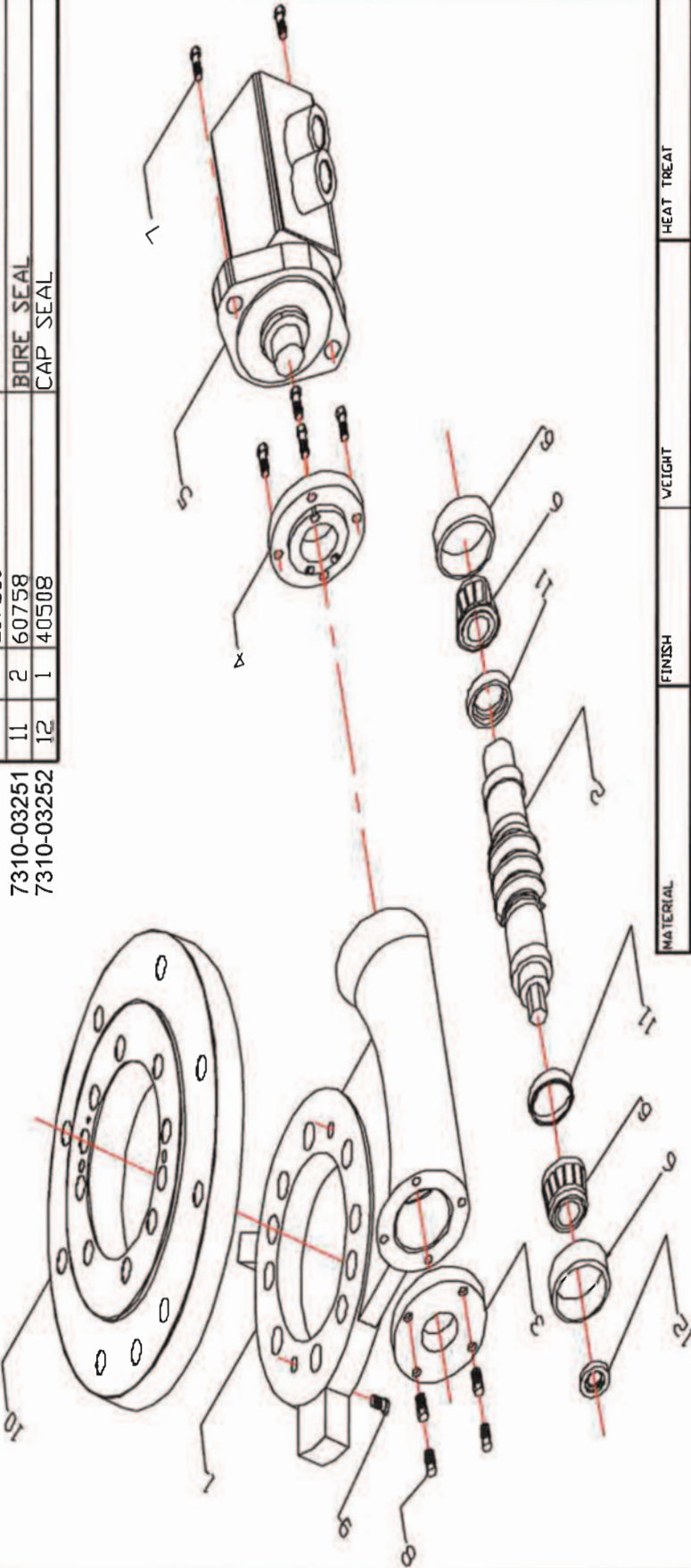
**STATIC, ZERO-DEGREE/SOLID STREAM NOZZLE**  
(*Switchblade 0° Nozzle*):

Static 0° straight tip nozzle(s), arranged in a linear pattern ideal for trenching applications.  
(*Static nozzles are not to be used within 18" of utilities.*)

# BEARING BOOM W/DRIVE & MOTOR Item 4000-00068

BILL OF MATERIAL			
M17B00			
ITEM	QTY	PART NO.	DESCRIPTION
1	1	B17B01	17" BASE
2	1	W17B02	17" HOURGLASS WORM
3	1	C0003	END CAP
4	1	A0004	MOTOR ADAPTER
5	1	200-A-78-6	10" RING SIDE PORT MOTOR
6	2	33208	TAPER ROLLER BEARING
7	2	M12x1.75 x 30mm	SOCKET HEAD CAP SCREW
8	8	M10x1.5 x 35mm	SOC. HD. CAP SCREW
9	2	3/8-16NC x .625"	SHOULDER BOLT
10	1	G17B10	17" SLEWING RING
11	2	60758	BORE SEAL
12	1	40508	CAP SEAL

7310-03306  
7310-03247  
7310-03248  
7300-02814  
7310-03250



BY	REV.	DATE	DESCRIPTION
BDB	B	4/20/06	CHANGED BOLT CALLOUTS
BDB	F	6/15/06	REMOVED SHIPPING BOLTS
BDB	G	8/14/06	ADDED MOTOR BOLTS
BDB	H	12/04/06	UPDATED INFO

MATERIAL		FINISH		WEIGHT		HEAT TREAT	
UNSPECIFIED TOLERANCE LIMITS		UNSPECIFIED DIMENSIONAL TOL.		TITLE		KINEMATICS MFG. INC.	
DO NOT SCALE		MACHINED FINISH 64 RMS MAX LIDS		BILL OF MATERIAL		Ph. 623-780-8944	
CONCENTRICITY TOLER. .003		ANGULAR DIMENSIONS ± 30'		DRAWN BDB 8/14/06		Fax 623-780-8945	
SIMILAR DIMENSIONS ± 30'		SCALE FULL		CHECKED		ISSUE	
SAMPLES MUST BE APPROVED BEFORE PROTOTYPING		PROJECT NO. SLEW		APPROVED		DRAWING NUMBER	
						M17B00	
						REV.	
						H	

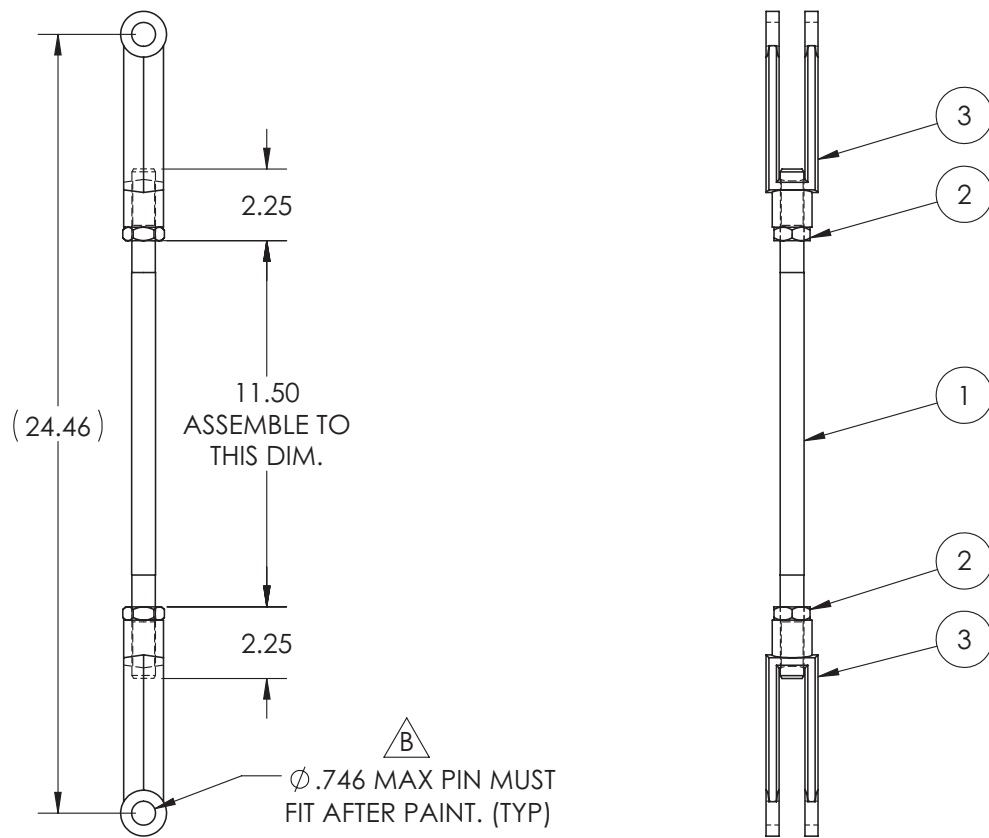
ALL PROPRIETARY RIGHTS IN THE SUBJECT MATTER HEREOF ARE RESERVED. NO PERMISSION IS GRANTED TO REPRODUCE THIS PRINT IN WHOLE OR IN PART, OR TO DISCLOSE ANY OF THE INFORMATION TO OTHERS.

**TAILGATE ROD ASSEMBLY Item 0020271**

REVISIONS				
REV #	ECO #	DESCRIPTION	DATE	APPR
B	17776	ADDED: "0.746 MAX PIN MUST FIT AFTER PAINT. (TYP)"	10/18/2017	N. Chalhoub

ITEM NO.	PART NUMBER	DESCRIPTION	QTY.
1	1010-00967	LOWER TAILGATE LATCH ROD *Black Paint	1
2	0044-00008	NUT,JAM,HEX,3/4"-16 UNF,STEEL,PLT'D	2
3	3000-01475	YOKE,END,0.75-16UNF	2

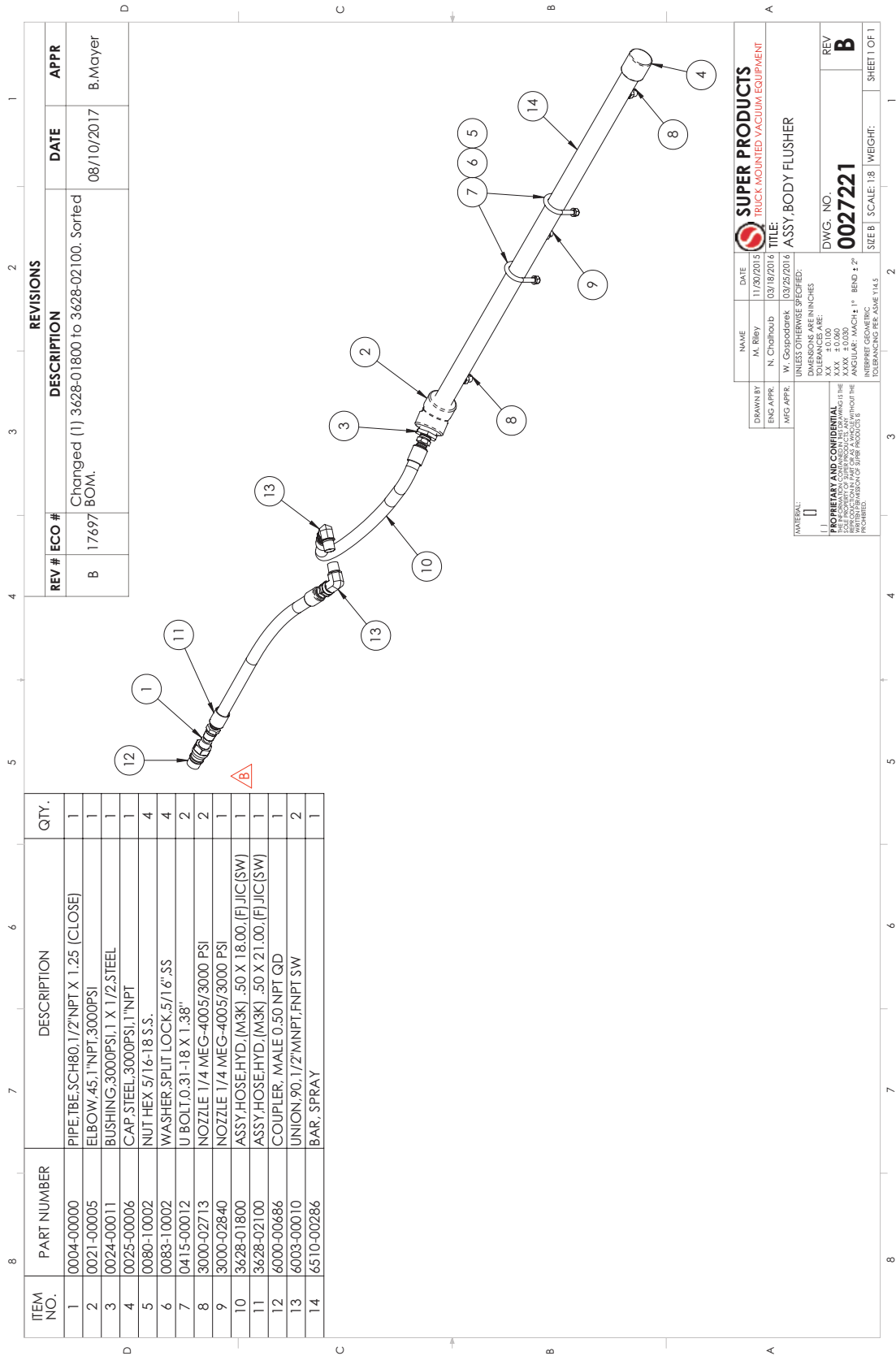


**NOTE:**  
 FINISH SURFACE GLOSS BLACK PER  
 SUPER PRODUCTS SPEC.  
 9998-00253 OR 9998-00254.

MATERIAL: □ ( ) <b>PROPRIETARY AND CONFIDENTIAL</b> THE INFORMATION CONTAINED IN THIS DRAWING IS THE SOLE PROPERTY OF SUPER PRODUCTS LLC.. ANY REPRODUCTION IN PART OR AS A WHOLE WITHOUT THE WRITTEN PERMISSION OF SUPER PRODUCTS IS PROHIBITED.	NAME J. Poquette	DATE 06/10/2014	TITLE: ASM CLEVIS TAILGATE PAINTED
	DRAWN BY M. Jacobson	DATE 06/20/2014	
	ENG APPR. M. Jacobson	DATE 06/24/2014	
UNLESS OTHERWISE SPECIFIED: DIMENSIONS ARE IN INCHES TOLERANCES ARE: X.X ± 0.100 X.XX ± 0.060 X.XXX ± 0.030 ANGULAR: MACH ± 1° BEND ± 2° INTERPRET GEOMETRIC TOLERANCING PER: ASME Y14.5	DWG. NO. <b>0020271</b>	REV <b>B</b>	SIZE A    SCALE:1:8    WEIGHT:    SHEET 1 OF 1



ASSEMBLY BODY FLUSHER Item 0027221



REV #	ECO #	DESCRIPTION	DATE	APPR
B	17697	Changed (1) 3628-01800 to 3628-02100. Sorted BOM.	08/10/2017	B.Mayer

ITEM NO.	PART NUMBER	DESCRIPTION	QTY.
1	0004-00000	PIPE,TBE,SCH80,1/2"NPT,X 1.25 (CLOSE)	1
2	0021-00005	ELBOW,45,1"NPT,3000PSI	1
3	0024-00011	BUSHING,3000PSI,1 X 1/2,STEEL	1
4	0025-00006	CAP,STEEL,3000PSI,1"NPT	1
5	0080-10002	NUT HEX 5/16-18 S.S.	4
6	0083-10002	WASHER,SPLIT LOCK,5/16",SS	4
7	0415-00012	U BOLT,0.31-18 X 1.38"	2
8	3000-02713	NOZZLE 1/4 MEG-4005/3000 PSI	2
9	3000-02840	NOZZLE 1/4 MEG-4005/3000 PSI	1
10	3628-01800	ASSY,HOSEHYD,(M3K) .50 X 18.00,(F)JIC(SW)	1
11	3628-02100	ASSY,HOSEHYD,(M3K) .50 X 21.00,(F)JIC(SW)	1
12	6000-00686	COUPLER, MALE 0.50 NPT QD	1
13	6003-00010	UNION,90,1/2"MNPT,FNPT SW	2
14	6510-00286	BAR, SPRAY	1

**SUPER PRODUCTS**  
TRUCK MOUNTED VACUUM EQUIPMENT

NAME: M. Riley  
DATE: 11/20/2015  
DRAWN BY: N. Chidlow  
ENG APPR: W. Goodenbrk  
03/18/2016

TITLE: ASSY,BODY FLUSHER

DWG. NO: 0027221

REV: B

SCALE: 1:8

WEIGHT:

SHEET OF 1

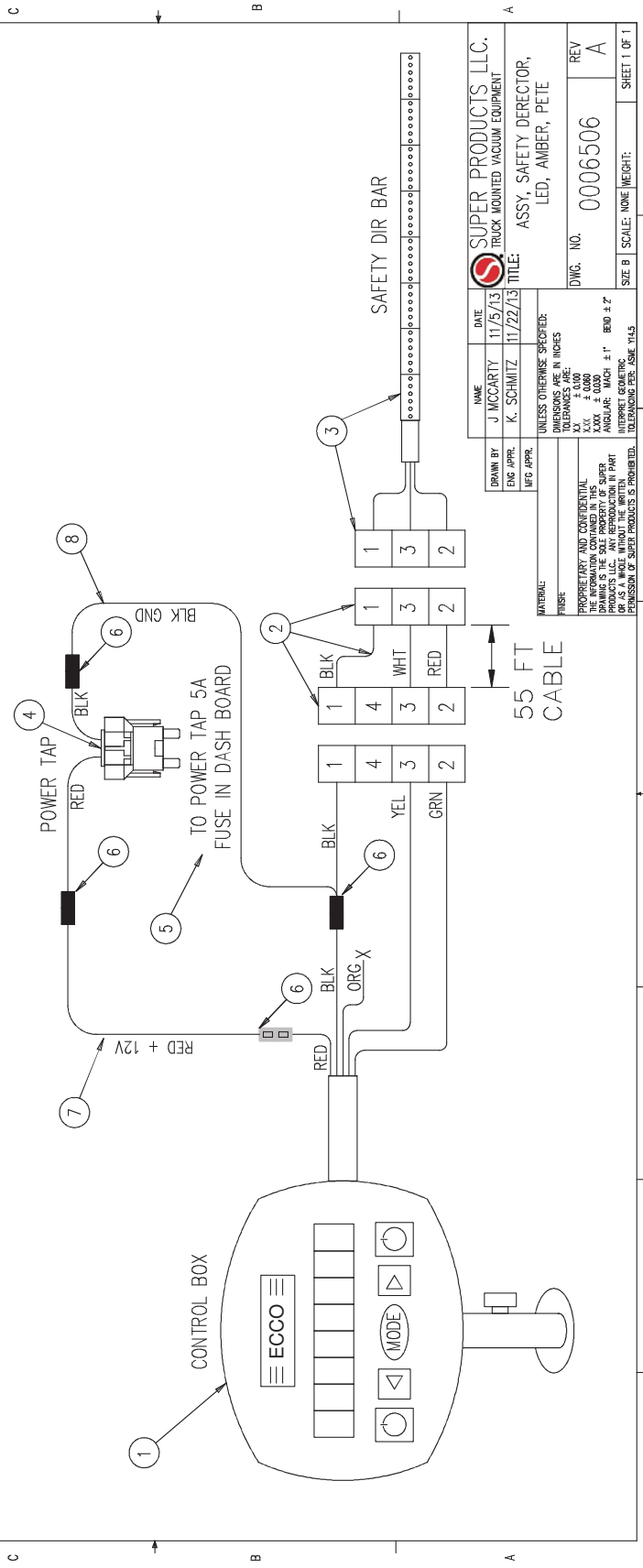
UNLESS OTHERWISE SPECIFIED:  
DIMENSIONS ARE IN INCHES  
TOLERANCES ARE:  
XXX ± 0.000  
XX ± 0.005  
X ± 0.010  
Ø ± 0.005  
FINISH: UNLESS OTHERWISE SPECIFIED  
MATERIAL: UNLESS OTHERWISE SPECIFIED

PROPRIETARY AND CONFIDENTIAL  
THIS DOCUMENT IS THE PROPERTY OF SUPER PRODUCTS  
NO REPRODUCTION OR DISSEMINATION IS TO BE MADE WITHOUT THE WRITTEN PERMISSION OF SUPER PRODUCTS



REV	ECO	DESCRIPTION	DATE	APPR
-				

ITEM	PART NUMBER	DESCRIPTION	REF	DESC	QTY.
1	0005915	CONTROL BOX, ECCO			1
2	0005916	CABLE, 55 FT			1
3	0005914	LED, BAR, AMBER			1
4	5500-02027	HARNES, PWR TAP			1
5	5707-00000-0005	FUSE, MINI, 5A			1
6	5683-00002	SPLICE, 16 -14 GA, BLUE			4
7	0009062	WIRE, 16 GA, RED, CUT TO LGTH, 36"			1
8	0009059	WIRE, 16 GA, BLK, CUT TO LGTH, 36"			1



**SUPER PRODUCTS LLC.**  
 TRUCK MOUNTED VACUUM EQUIPMENT  
 ASSY, SAFETY DIRECTOR,  
 LED, AMBER, PETE  
 DWG. NO. 0006506  
 REV A  
 SHEET 1 OF 1

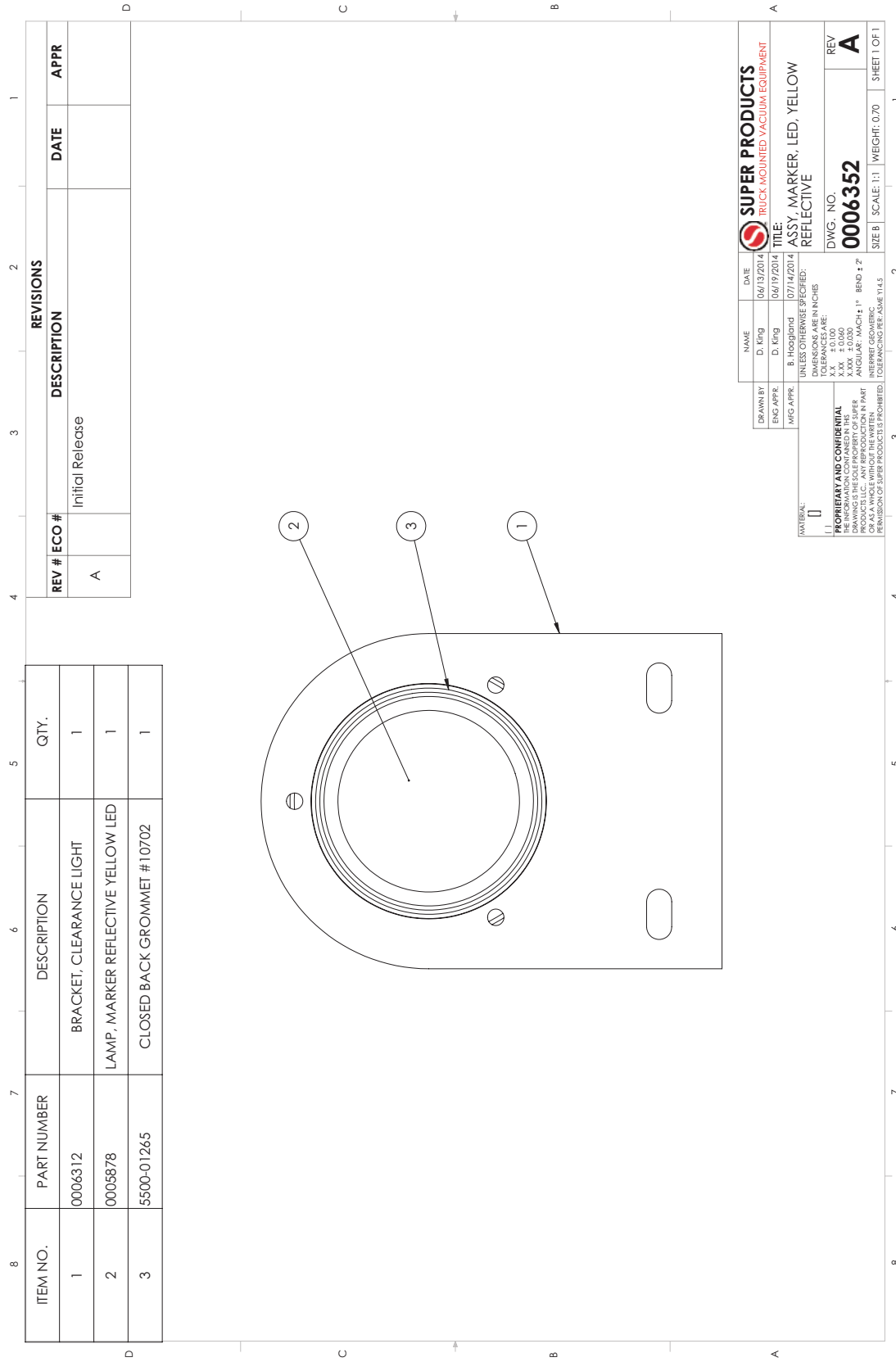
NAME: J MCCARTHY  
 DATE: 11/5/13  
 DRAWN BY: K. SCHMITZ  
 11/22/13  
 TITLE: ASSY, SAFETY DIRECTOR,  
 LED, AMBER, PETE

UNLESS OTHERWISE SPECIFIED:  
 DIMENSIONS ARE IN INCHES  
 TOLERANCES ARE:  
 .XXX ± 0.00  
 .XXX ± 0.00  
 .XXX ± 0.00  
 ANGULAR: .MACH ± 1° BEND ± 2°  
 FINISH: PER ASSEMBLY DRAWING  
 PERMISSION OF SUPER PRODUCTS IS PROHIBITED.

MATERIALS:  
 FINISH:  
 PROPRIETARY AND CONFIDENTIAL  
 INFORMATION CONTAINED HEREIN IS THE  
 PROPERTY OF SUPER PRODUCTS LLC. ANY  
 REPRODUCTION IN PART OR WHOLE  
 WITHOUT THE WRITTEN PERMISSION OF  
 SUPER PRODUCTS IS PROHIBITED.

SIZE B SCALE: NONE WEIGHT:  
 1 2 3 4 5 6 7 8

ASSEMBLY MARKER LED, YELLOW Item 0006352



# ASSEMBLY TAIL GATE LEFT Item 0008353

ITEM NO.	PART NUMBER	DESCRIPTION	QTY.
1	0007673	LIGHT BOX, REAR DOT	1
2	0008240	CORD GRIP, SNAP TOGETHER, .525-.600	1
3	0006413	HEYCO #1868	1
4	0008344	MODULE, TAIL LIGHT W/ AMBER TURN STRAP, DOT LIGHT	1
5	0006227	LAMP, MARKER/CLEARANCE, RED PC, FLANGE MNT	1
6	0156-00051	SCREW MCH #10-24 X 1.00 PLTD	3
7	0080-00016	NUT, HEX #10-24, STEEL, PLTD	3
8	0083-00016	WASHER, SPLIT LOCK, #10, STEEL, PLTD	3
9	0083-00001	WASHER, SPLIT LOCK, 1/4", STEEL, PLTD	4
10	0050-00100	SCREW, CAP 0.25-20 X 1.00 HX GR5	4
11	0008725	NUT, LOCK, NYLON INSERT, M6-1.0	2
12	0008347	HARNES, TAIL LIGHT, LEFT (NOT SHOWN)	1

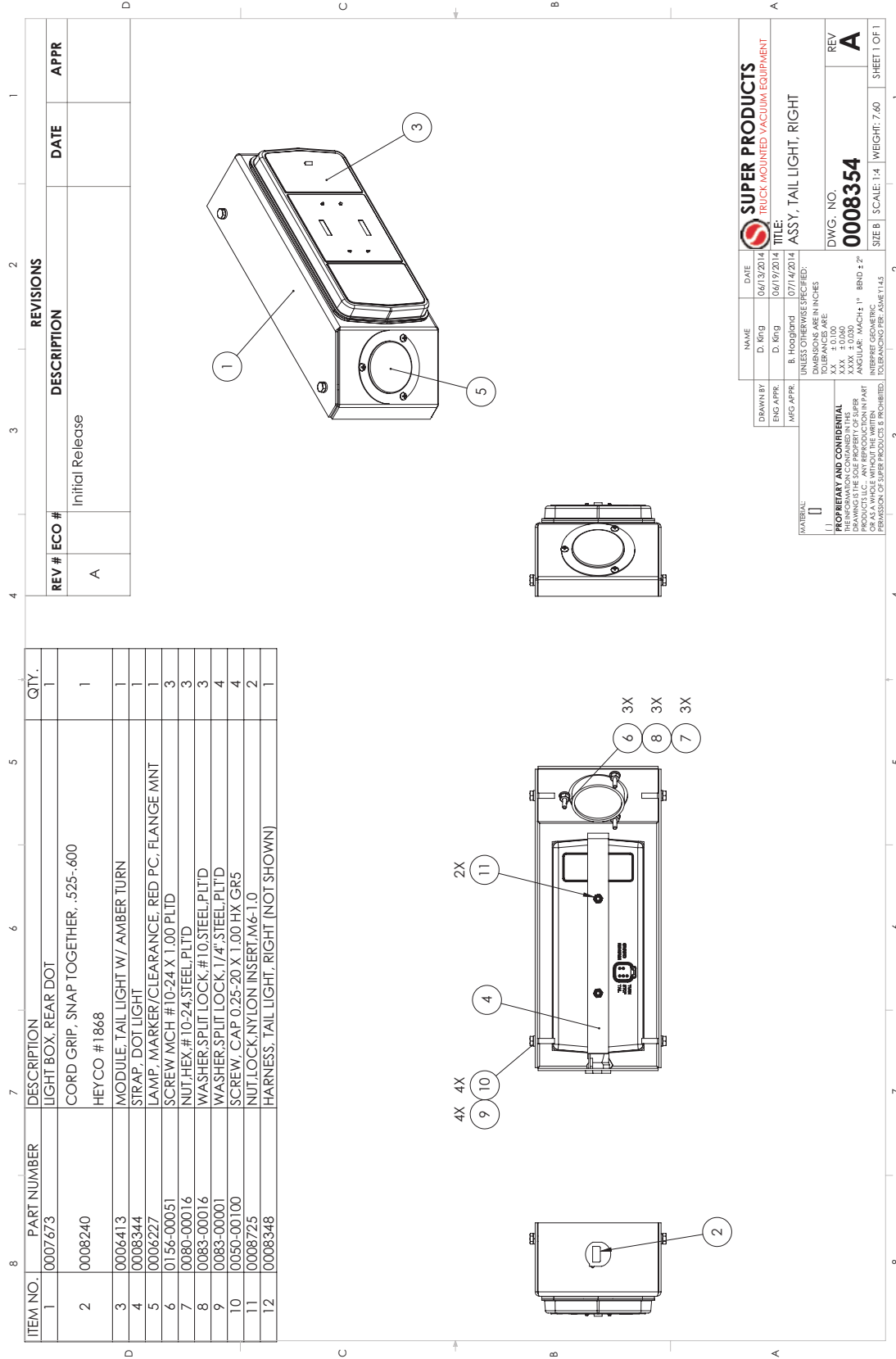
  

REVISIONS	
REV #	DESCRIPTION
A	Initial Release

NAME	DATE	<b>SUPER PRODUCTS</b> RUCK MOUNTED VACUUM EQUIPMENT
DRAWN BY D. King	06/13/2014	
ENG APPR. D. King	06/19/2014	TITLE: ASSY, TAIL LIGHT, LEFT
MFG APPR. B. Hoogland	07/14/2014	
UNLESS OTHERWISE SPECIFIED: DIMENSIONS ARE IN INCHES FRACTIONS: 1/16, 1/8, 3/16, 1/2, 5/8, 3/4, 7/8, 1, 1 1/8, 1 1/4, 1 1/2, 1 3/4, 1 7/8, 2, 2 1/8, 2 1/4, 2 3/8, 2 1/2, 2 5/8, 3, 3 1/8, 3 1/4, 3 3/8, 3 1/2, 3 5/8, 4, 4 1/8, 4 1/4, 4 3/8, 4 1/2, 4 5/8, 5, 5 1/8, 5 1/4, 5 3/8, 5 1/2, 5 5/8, 6, 6 1/8, 6 1/4, 6 3/8, 6 1/2, 6 5/8, 7, 7 1/8, 7 1/4, 7 3/8, 7 1/2, 7 5/8, 8, 8 1/8, 8 1/4, 8 3/8, 8 1/2, 8 5/8, 9, 9 1/8, 9 1/4, 9 3/8, 9 1/2, 9 5/8, 10, 10 1/8, 10 1/4, 10 3/8, 10 1/2, 10 5/8, 11, 11 1/8, 11 1/4, 11 3/8, 11 1/2, 11 5/8, 12, 12 1/8, 12 1/4, 12 3/8, 12 1/2, 12 5/8, 13, 13 1/8, 13 1/4, 13 3/8, 13 1/2, 13 5/8, 14, 14 1/8, 14 1/4, 14 3/8, 14 1/2, 14 5/8, 15, 15 1/8, 15 1/4, 15 3/8, 15 1/2, 15 5/8, 16, 16 1/8, 16 1/4, 16 3/8, 16 1/2, 16 5/8, 17, 17 1/8, 17 1/4, 17 3/8, 17 1/2, 17 5/8, 18, 18 1/8, 18 1/4, 18 3/8, 18 1/2, 18 5/8, 19, 19 1/8, 19 1/4, 19 3/8, 19 1/2, 19 5/8, 20, 20 1/8, 20 1/4, 20 3/8, 20 1/2, 20 5/8, 21, 21 1/8, 21 1/4, 21 3/8, 21 1/2, 21 5/8, 22, 22 1/8, 22 1/4, 22 3/8, 22 1/2, 22 5/8, 23, 23 1/8, 23 1/4, 23 3/8, 23 1/2, 23 5/8, 24, 24 1/8, 24 1/4, 24 3/8, 24 1/2, 24 5/8, 25, 25 1/8, 25 1/4, 25 3/8, 25 1/2, 25 5/8, 26, 26 1/8, 26 1/4, 26 3/8, 26 1/2, 26 5/8, 27, 27 1/8, 27 1/4, 27 3/8, 27 1/2, 27 5/8, 28, 28 1/8, 28 1/4, 28 3/8, 28 1/2, 28 5/8, 29, 29 1/8, 29 1/4, 29 3/8, 29 1/2, 29 5/8, 30, 30 1/8, 30 1/4, 30 3/8, 30 1/2, 30 5/8, 31, 31 1/8, 31 1/4, 31 3/8, 31 1/2, 31 5/8, 32, 32 1/8, 32 1/4, 32 3/8, 32 1/2, 32 5/8, 33, 33 1/8, 33 1/4, 33 3/8, 33 1/2, 33 5/8, 34, 34 1/8, 34 1/4, 34 3/8, 34 1/2, 34 5/8, 35, 35 1/8, 35 1/4, 35 3/8, 35 1/2, 35 5/8, 36, 36 1/8, 36 1/4, 36 3/8, 36 1/2, 36 5/8, 37, 37 1/8, 37 1/4, 37 3/8, 37 1/2, 37 5/8, 38, 38 1/8, 38 1/4, 38 3/8, 38 1/2, 38 5/8, 39, 39 1/8, 39 1/4, 39 3/8, 39 1/2, 39 5/8, 40, 40 1/8, 40 1/4, 40 3/8, 40 1/2, 40 5/8, 41, 41 1/8, 41 1/4, 41 3/8, 41 1/2, 41 5/8, 42, 42 1/8, 42 1/4, 42 3/8, 42 1/2, 42 5/8, 43, 43 1/8, 43 1/4, 43 3/8, 43 1/2, 43 5/8, 44, 44 1/8, 44 1/4, 44 3/8, 44 1/2, 44 5/8, 45, 45 1/8, 45 1/4, 45 3/8, 45 1/2, 45 5/8, 46, 46 1/8, 46 1/4, 46 3/8, 46 1/2, 46 5/8, 47, 47 1/8, 47 1/4, 47 3/8, 47 1/2, 47 5/8, 48, 48 1/8, 48 1/4, 48 3/8, 48 1/2, 48 5/8, 49, 49 1/8, 49 1/4, 49 3/8, 49 1/2, 49 5/8, 50, 50 1/8, 50 1/4, 50 3/8, 50 1/2, 50 5/8, 51, 51 1/8, 51 1/4, 51 3/8, 51 1/2, 51 5/8, 52, 52 1/8, 52 1/4, 52 3/8, 52 1/2, 52 5/8, 53, 53 1/8, 53 1/4, 53 3/8, 53 1/2, 53 5/8, 54, 54 1/8, 54 1/4, 54 3/8, 54 1/2, 54 5/8, 55, 55 1/8, 55 1/4, 55 3/8, 55 1/2, 55 5/8, 56, 56 1/8, 56 1/4, 56 3/8, 56 1/2, 56 5/8, 57, 57 1/8, 57 1/4, 57 3/8, 57 1/2, 57 5/8, 58, 58 1/8, 58 1/4, 58 3/8, 58 1/2, 58 5/8, 59, 59 1/8, 59 1/4, 59 3/8, 59 1/2, 59 5/8, 60, 60 1/8, 60 1/4, 60 3/8, 60 1/2, 60 5/8, 61, 61 1/8, 61 1/4, 61 3/8, 61 1/2, 61 5/8, 62, 62 1/8, 62 1/4, 62 3/8, 62 1/2, 62 5/8, 63, 63 1/8, 63 1/4, 63 3/8, 63 1/2, 63 5/8, 64, 64 1/8, 64 1/4, 64 3/8, 64 1/2, 64 5/8, 65, 65 1/8, 65 1/4, 65 3/8, 65 1/2, 65 5/8, 66, 66 1/8, 66 1/4, 66 3/8, 66 1/2, 66 5/8, 67, 67 1/8, 67 1/4, 67 3/8, 67 1/2, 67 5/8, 68, 68 1/8, 68 1/4, 68 3/8, 68 1/2, 68 5/8, 69, 69 1/8, 69 1/4, 69 3/8, 69 1/2, 69 5/8, 70, 70 1/8, 70 1/4, 70 3/8, 70 1/2, 70 5/8, 71, 71 1/8, 71 1/4, 71 3/8, 71 1/2, 71 5/8, 72, 72 1/8, 72 1/4, 72 3/8, 72 1/2, 72 5/8, 73, 73 1/8, 73 1/4, 73 3/8, 73 1/2, 73 5/8, 74, 74 1/8, 74 1/4, 74 3/8, 74 1/2, 74 5/8, 75, 75 1/8, 75 1/4, 75 3/8, 75 1/2, 75 5/8, 76, 76 1/8, 76 1/4, 76 3/8, 76 1/2, 76 5/8, 77, 77 1/8, 77 1/4, 77 3/8, 77 1/2, 77 5/8, 78, 78 1/8, 78 1/4, 78 3/8, 78 1/2, 78 5/8, 79, 79 1/8, 79 1/4, 79 3/8, 79 1/2, 79 5/8, 80, 80 1/8, 80 1/4, 80 3/8, 80 1/2, 80 5/8, 81, 81 1/8, 81 1/4, 81 3/8, 81 1/2, 81 5/8, 82, 82 1/8, 82 1/4, 82 3/8, 82 1/2, 82 5/8, 83, 83 1/8, 83 1/4, 83 3/8, 83 1/2, 83 5/8, 84, 84 1/8, 84 1/4, 84 3/8, 84 1/2, 84 5/8, 85, 85 1/8, 85 1/4, 85 3/8, 85 1/2, 85 5/8, 86, 86 1/8, 86 1/4, 86 3/8, 86 1/2, 86 5/8, 87, 87 1/8, 87 1/4, 87 3/8, 87 1/2, 87 5/8, 88, 88 1/8, 88 1/4, 88 3/8, 88 1/2, 88 5/8, 89, 89 1/8, 89 1/4, 89 3/8, 89 1/2, 89 5/8, 90, 90 1/8, 90 1/4, 90 3/8, 90 1/2, 90 5/8, 91, 91 1/8, 91 1/4, 91 3/8, 91 1/2, 91 5/8, 92, 92 1/8, 92 1/4, 92 3/8, 92 1/2, 92 5/8, 93, 93 1/8, 93 1/4, 93 3/8, 93 1/2, 93 5/8, 94, 94 1/8, 94 1/4, 94 3/8, 94 1/2, 94 5/8, 95, 95 1/8, 95 1/4, 95 3/8, 95 1/2, 95 5/8, 96, 96 1/8, 96 1/4, 96 3/8, 96 1/2, 96 5/8, 97, 97 1/8, 97 1/4, 97 3/8, 97 1/2, 97 5/8, 98, 98 1/8, 98 1/4, 98 3/8, 98 1/2, 98 5/8, 99, 99 1/8, 99 1/4, 99 3/8, 99 1/2, 99 5/8, 100, 100 1/8, 100 1/4, 100 3/8, 100 1/2, 100 5/8, 101, 101 1/8, 101 1/4, 101 3/8, 101 1/2, 101 5/8, 102, 102 1/8, 102 1/4, 102 3/8, 102 1/2, 102 5/8, 103, 103 1/8, 103 1/4, 103 3/8, 103 1/2, 103 5/8, 104, 104 1/8, 104 1/4, 104 3/8, 104 1/2, 104 5/8, 105, 105 1/8, 105 1/4, 105 3/8, 105 1/2, 105 5/8, 106, 106 1/8, 106 1/4, 106 3/8, 106 1/2, 106 5/8, 107, 107 1/8, 107 1/4, 107 3/8, 107 1/2, 107 5/8, 108, 108 1/8, 108 1/4, 108 3/8, 108 1/2, 108 5/8, 109, 109 1/8, 109 1/4, 109 3/8, 109 1/2, 109 5/8, 110, 110 1/8, 110 1/4, 110 3/8, 110 1/2, 110 5/8, 111, 111 1/8, 111 1/4, 111 3/8, 111 1/2, 111 5/8, 112, 112 1/8, 112 1/4, 112 3/8, 112 1/2, 112 5/8, 113, 113 1/8, 113 1/4, 113 3/8, 113 1/2, 113 5/8, 114, 114 1/8, 114 1/4, 114 3/8, 114 1/2, 114 5/8, 115, 115 1/8, 115 1/4, 115 3/8, 115 1/2, 115 5/8, 116, 116 1/8, 116 1/4, 116 3/8, 116 1/2, 116 5/8, 117, 117 1/8, 117 1/4, 117 3/8, 117 1/2, 117 5/8, 118, 118 1/8, 118 1/4, 118 3/8, 118 1/2, 118 5/8, 119, 119 1/8, 119 1/4, 119 3/8, 119 1/2, 119 5/8, 120, 120 1/8, 120 1/4, 120 3/8, 120 1/2, 120 5/8, 121, 121 1/8, 121 1/4, 121 3/8, 121 1/2, 121 5/8, 122, 122 1/8, 122 1/4, 122 3/8, 122 1/2, 122 5/8, 123, 123 1/8, 123 1/4, 123 3/8, 123 1/2, 123 5/8, 124, 124 1/8, 124 1/4, 124 3/8, 124 1/2, 124 5/8, 125, 125 1/8, 125 1/4, 125 3/8, 125 1/2, 125 5/8, 126, 126 1/8, 126 1/4, 126 3/8, 126 1/2, 126 5/8, 127, 127 1/8, 127 1/4, 127 3/8, 127 1/2, 127 5/8, 128, 128 1/8, 128 1/4, 128 3/8, 128 1/2, 128 5/8, 129, 129 1/8, 129 1/4, 129 3/8, 129 1/2, 129 5/8, 130, 130 1/8, 130 1/4, 130 3/8, 130 1/2, 130 5/8, 131, 131 1/8, 131 1/4, 131 3/8, 131 1/2, 131 5/8, 132, 132 1/8, 132 1/4, 132 3/8, 132 1/2, 132 5/8, 133, 133 1/8, 133 1/4, 133 3/8, 133 1/2, 133 5/8, 134, 134 1/8, 134 1/4, 134 3/8, 134 1/2, 134 5/8, 135, 135 1/8, 135 1/4, 135 3/8, 135 1/2, 135 5/8, 136, 136 1/8, 136 1/4, 136 3/8, 136 1/2, 136 5/8, 137, 137 1/8, 137 1/4, 137 3/8, 137 1/2, 137 5/8, 138, 138 1/8, 138 1/4, 138 3/8, 138 1/2, 138 5/8, 139, 139 1/8, 139 1/4, 139 3/8, 139 1/2, 139 5/8, 140, 140 1/8, 140 1/4, 140 3/8, 140 1/2, 140 5/8, 141, 141 1/8, 141 1/4, 141 3/8, 141 1/2, 141 5/8, 142, 142 1/8, 142 1/4, 142 3/8, 142 1/2, 142 5/8, 143, 143 1/8, 143 1/4, 143 3/8, 143 1/2, 143 5/8, 144, 144 1/8, 144 1/4, 144 3/8, 144 1/2, 144 5/8, 145, 145 1/8, 145 1/4, 145 3/8, 145 1/2, 145 5/8, 146, 146 1/8, 146 1/4, 146 3/8, 146 1/2, 146 5/8, 147, 147 1/8, 147 1/4, 147 3/8, 147 1/2, 147 5/8, 148, 148 1/8, 148 1/4, 148 3/8, 148 1/2, 148 5/8, 149, 149 1/8, 149 1/4, 149 3/8, 149 1/2, 149 5/8, 150, 150 1/8, 150 1/4, 150 3/8, 150 1/2, 150 5/8, 151, 151 1/8, 151 1/4, 151 3/8, 151 1/2, 151 5/8, 152, 152 1/8, 152 1/4, 152 3/8, 152 1/2, 152 5/8, 153, 153 1/8, 153 1/4, 153 3/8, 153 1/2, 153 5/8, 154, 154 1/8, 154 1/4, 154 3/8, 154 1/2, 154 5/8, 155, 155 1/8, 155 1/4, 155 3/8, 155 1/2, 155 5/8, 156, 156 1/8, 156 1/4, 156 3/8, 156 1/2, 156 5/8, 157, 157 1/8, 157 1/4, 157 3/8, 157 1/2, 157 5/8, 158, 158 1/8, 158 1/4, 158 3/8, 158 1/2, 158 5/8, 159, 159 1/8, 159 1/4, 159 3/8, 159 1/2, 159 5/8, 160, 160 1/8, 160 1/4, 160 3/8, 160 1/2, 160 5/8, 161, 161 1/8, 161 1/4, 161 3/8, 161 1/2, 161 5/8, 162, 162 1/8, 162 1/4, 162 3/8, 162 1/2, 162 5/8, 163, 163 1/8, 163 1/4, 163 3/8, 163 1/2, 163 5/8, 164, 164 1/8, 164 1/4, 164 3/8, 164 1/2, 164 5/8, 165, 165 1/8, 165 1/4, 165 3/8, 165 1/2, 165 5/8, 166, 166 1/8, 166 1/4, 166 3/8, 166 1/2, 166 5/8, 167, 167 1/8, 167 1/4, 167 3/8, 167 1/2, 167 5/8, 168, 168 1/8, 168 1/4, 168 3/8, 168 1/2, 168 5/8, 169, 169 1/8, 169 1/4, 169 3/8, 169 1/2, 169 5/8, 170, 170 1/8, 170 1/4, 170 3/8, 170 1/2, 170 5/8, 171, 171 1/8, 171 1/4, 171 3/8, 171 1/2, 171 5/8, 172, 172 1/8, 172 1/4, 172 3/8, 172 1/2, 172 5/8, 173, 173 1/8, 173 1/4, 173 3/8, 173 1/2, 173 5/8, 174, 174 1/8, 174 1/4, 174 3/8, 174 1/2, 174 5/8, 175, 175 1/8, 175 1/4, 175 3/8, 175 1/2, 175 5/8, 176, 176 1/8, 176 1/4, 176 3/8, 176 1/2, 176 5/8, 177, 177 1/8, 177 1/4, 177 3/8, 177 1/2, 177 5/8, 178, 178 1/8, 178 1/4, 178 3/8, 178 1/2, 178 5/8, 179, 179 1/8, 179 1/4, 179 3/8, 179 1/2, 179 5/8, 180, 180 1/8, 180 1/4, 180 3/8, 180 1/2, 180 5/8, 181, 181 1/8, 181 1/4, 181 3/8, 181 1/2, 181 5/8, 182, 182 1/8, 182 1/4, 182 3/8, 182 1/2, 182 5/8, 183, 183 1/8, 183 1/4, 183 3/8, 183 1/2, 183 5/8, 184, 184 1/8, 184 1/4, 184 3/8, 184 1/2, 184 5/8, 185, 185 1/8, 185 1/4, 185 3/8, 185 1/2, 185 5/8, 186, 186 1/8, 186 1/4, 186 3/8, 186 1/2, 186 5/8, 187, 187 1/8, 187 1/4, 187 3/8, 187 1/2, 187 5/8, 188, 188 1/8, 188 1/4, 188 3/8, 188 1/2, 188 5/8, 189, 189 1/8, 189 1/4, 189 3/8, 189 1/2, 189 5/8, 190, 190 1/8, 190 1/4, 190 3/8, 190 1/2, 190 5/8, 191, 191 1/8, 191 1/4, 191 3/8, 191 1/2, 191 5/8, 192, 192 1/8, 192 1/4, 192 3/8, 192 1/2, 192 5/8, 193, 193 1/8, 193 1/4, 193 3/8, 193 1/2, 193 5/8, 194, 194 1/8, 194 1/4, 194 3/8, 194 1/2, 194 5/8, 195, 195 1/8, 195 1/4, 195 3/8, 195 1/2, 195 5/8, 196, 196 1/8, 196 1/4, 196 3/8, 196 1/2, 196 5/8, 197, 197 1/8, 197 1/4, 197 3/8, 197 1/2, 197 5/8, 198, 198 1/8, 198 1/4, 198 3/8, 198 1/2, 198 5/8, 199, 199 1/8, 199 1/4, 199 3/8, 199 1/2, 199 5/8, 200, 200 1/8, 200 1/4, 200 3/8, 200 1/2, 200 5/8, 201, 201 1/8, 201 1/4, 201 3/8, 201 1/2, 201 5/8, 202, 202 1/8, 202 1/4, 202 3/8, 202 1/2, 202 5/8, 203, 203 1/8, 203 1/4, 203 3/8, 203 1/2, 203 5/8, 204, 204 1/8, 204 1/4, 204 3/8, 204 1/2, 204 5/8, 205, 205 1/8, 205 1/4, 205 3/8, 205 1/2, 205 5/8, 206, 206 1/8, 206 1/4, 206 3/8, 206 1/2, 206 5/8, 207, 207 1/8, 207 1/4, 207 3/8, 207 1/2, 207 5/8, 208, 208 1/8, 208 1/4, 208 3/8, 208 1/2, 208 5/8, 209, 209 1/8, 209 1/4, 209 3/8, 209 1/2, 209 5/8, 210, 210 1/8, 210 1/4, 210 3/8, 210 1/2, 210 5/8, 211, 211 1/8, 211 1/4, 211 3/8, 211 1/2, 211 5/8, 212, 212 1/8, 212 1/4, 212 3/8, 212 1/2, 212 5/8, 213, 213 1/8, 213 1/4, 213 3/8, 213 1/2, 213 5/8, 214, 214 1/8, 214 1/4, 214 3/8, 214 1/2, 214 5/8, 215, 215 1/8, 215 1/4, 215 3/8, 215 1/2, 215 5/8, 216, 216 1/8, 216 1/4, 216 3/8, 216 1/2, 216 5/8, 217, 217 1/8, 217 1/4, 217 3/8, 217 1/2, 217 5/8, 218, 218 1/8, 218 1/4, 218 3/8, 218 1/2, 218 5/8, 219, 219 1/8, 219 1/4, 219 3/8, 219 1/2, 219 5/8, 220, 220 1/8, 220 1/4, 220 3/8, 220 1/2, 220 5/8, 221, 221 1/8, 221 1/4, 221 3/8, 221 1/2, 221 5/8, 222, 222 1/8, 222 1/4, 222 3/8, 222 1/2, 222 5/8, 223, 223 1/8, 223 1/4, 223 3/8, 223 1/2, 223 5/8, 224, 224 1/8, 224 1/4, 224 3/8, 224 1/2, 224 5/8, 225, 225 1/8, 225 1/4, 225 3/8, 225 1/2, 225 5/8, 226, 226 1/8, 226 1/4, 226 3/8, 226 1/2, 226 5/8, 227, 227 1/8, 227 1/4, 227 3/8, 227 1/2, 227 5/8, 228, 228 1/8, 228 1/4, 228 3/8, 228 1/2, 228 5/8, 229, 229 1/8, 229 1/4, 229 3/8, 229 1/2, 229 5/8, 230, 230 1/8, 230 1/4, 230 3/8, 230 1/2, 230 5/8, 231, 231 1/8, 231 1/4, 231 3/8, 231 1/2, 231 5/8, 232, 232 1/8, 232 1/4, 232 3/8, 232 1/2, 232 5/8, 233, 233 1/8, 233 1/4, 233 3/8, 233 1/		

ASSEMBLY TAIL GATE RIGHT Item 0008354



# WIRING BOOM 1 of 3 Item 9216-00904

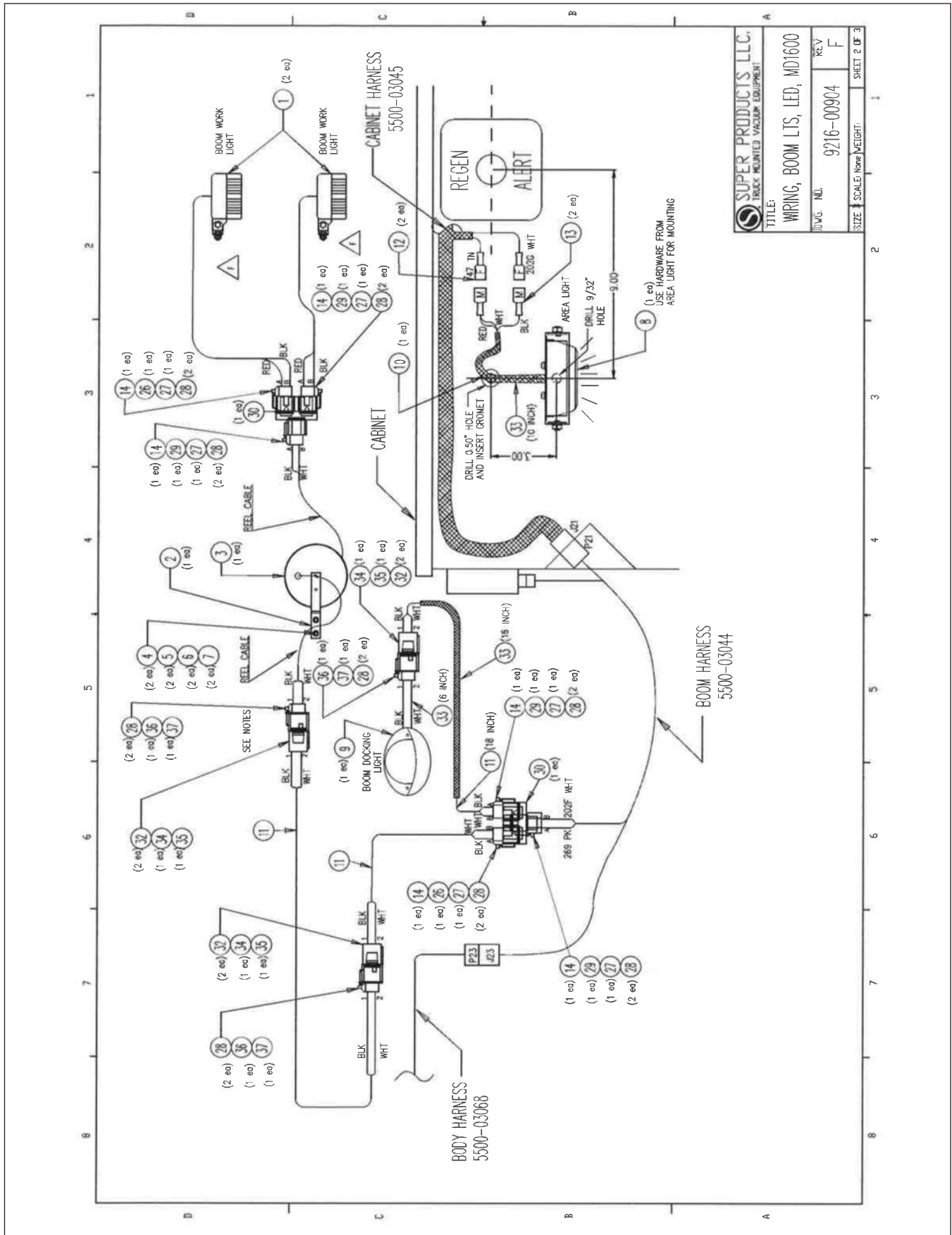
ITEM #	PART	DESC	REF	DESQTY	REVISIONS	
					REV #	ECO #
					DESCRIPTION	DATE
					APPR	SKD
1	0031776	LIGHT, WORK, LED		2		
2	8510-03138	BRACKET, REEL MOUNTING		1		
3	5500-00810	REEL, AUTO REWIND ELEC. EXTEN.		1		
4	0052-00150	SCREW, HEX HEAD CAP 3/8-16X1-1/2, GR8		2	F	5500-03212 CHANGED TO 0031776
5	0083-00003	WASHER, SPLIT LOCK, 3/8", SS		2		
6	0082-00003	WASHER FLAT 0.38 PLTD		2		
7	0080-20003	NUT, HEX, 3/8"-16, STEEL PLTD GR8		2		
8	5500-03213	LIGHT, AREA, LED		1		
9	5500-03214	LIGHT, ENTRY, LED		1		
10	3500-00178	GROMMET, 63°ODX .251D.		1		
11	5580-00000	CABLE, 16-2 600V -40 TO 105C 498"		498		
12	5500-00468	QUICK CONNECT, FEMALE		2		
13	5500-00469	QUICK CONNECT, MALE		2		
14	5500-01864	PLUG, 3 PIN, SIZE 16		6		
15	0328-00001	CLAMP, CABLE CUSHIONED - Ø.25"		8		
16	-	-		-		
17	0083-00001	WASHER, SPLIT LOCK, 1/4", STEEL PLTD		8		
18	0083-00016	WASHER, SPLIT LOCK, #10, STEEL PLTD		2		
19	0080-00016	NUT, HEX, #10-24, STEEL PLTD		2		
20	-	-		-		
21	0328-00003	CLAMP, CABLE CUSHIONED - Ø.50		5		
22	0050-20075	SCREW, HEX HEAD CAP 1/4-20X3/4, SS		3		
23	0083-30001	WASHER, SPLIT LOCK, 1/4", STEEL PLTD		4		
24	0052-00075	SCREW, HEX CAP 3/8-16 X 2-3/4, GR8		2		
25	0083-00003	WASHER, SPLIT LOCK, 0.38 SS		2		
26	5500-01866	LOCK, 3 PIN, DRG		2		
27	5500-01622	PLUG, SEAL, #16-12		6		
28	5500-01621	CONTACT, SOCKET, SOLID #16		18		
29	5500-01870	LOCK, 3 PIN, BLU		4		
30	5500-01869	RECEPTICAL, 3 WAY T		2		
31	-	-		-		
32	5500-01619	PIN, SOLID #16		10		
33	5701-09000	LODM, SPLIT, NYLON, 25" ID		90"		
34	5500-01935	RECEPT, DEUTSCH - DT 2-WAY		3		
35	5500-01936	WEDGELOCK, RECEPT, DEUTSCH DT 2-WAY		3		
36	5500-01933	PLUG, 2 SOCKET DEUTSCH		3		
37	5500-01934	SECONDARY LOCK, WM-2A - DEUTSCH		3		
38	0080-30001	NUT, HEX, 1/4"-20, STEEL PLTD GR8		12		
39	0156-00051	SCREW MCH #10-24 X 1.00 PLTD		2		

**NOTES:**  
 1. CUT OFF THE 3 PRONG PLUG AND THE HANDLE WITH SIDE OUTLET.  
 2. ASSEMBLE WITH CONNECTORS SHOWN. MATCH THE COLORS TO THE 16-2 CABLE. THE GREEN WIRE IS NOT USED.  
 3. ALL WIRE LENGTH AND LODM USE AS REQUIRED.

DRAWN BY	J. MCGRATH	DATE	9/25/13		
ENG APPR.	K. SCHMITZ	DATE	9/30/13	TITLE	WIRING, BOOM LTS, LED, MD1600
MFG APPR.				DWG. NO.	9216-00904
UNLESS OTHERWISE SPECIFIED DIMENSIONS ARE IN INCHES XX DECIMALS XXX FRACTIONS ANGULARS EACH ± 1° INTERPRET GEOMETRIC TOLERANCING PER ASME Y14.5				SIZE	SCALE: NONE
MATERIAL FINISH				WEIGHT:	SHEET 1 OF 3
PROPRIETARY AND CONFIDENTIAL INFORMATION CONTAINED IN THIS DRAWING IS THE SOLE PROPERTY OF SUPER PRODUCTS LLC. IT IS TO BE USED ONLY FOR THE PART OR AS A WHOLE, WITHOUT THE WRITTEN PERMISSION OF SUPER PRODUCTS LLC.					

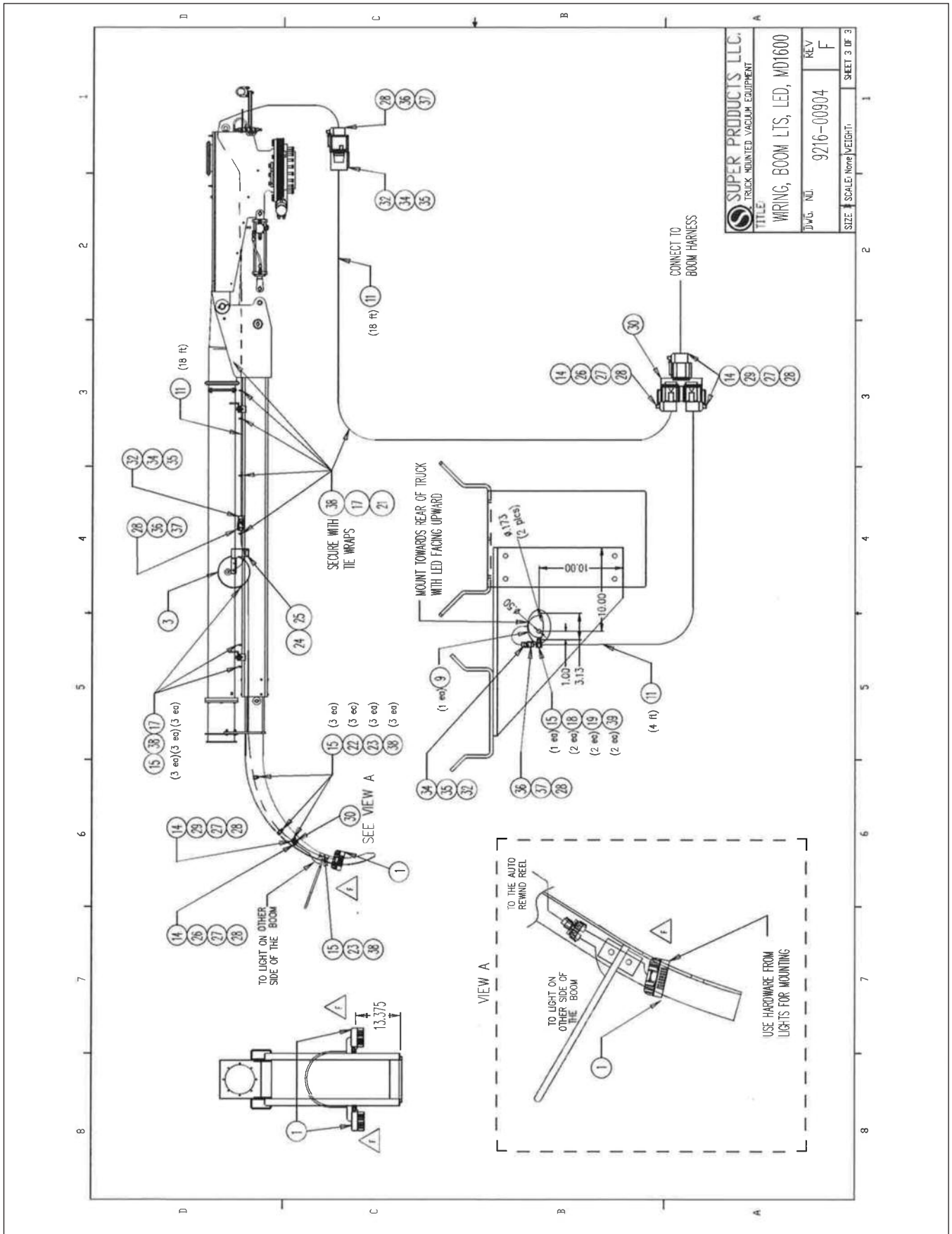


WIRING BOOM 2 of 3 Item 9216-00904

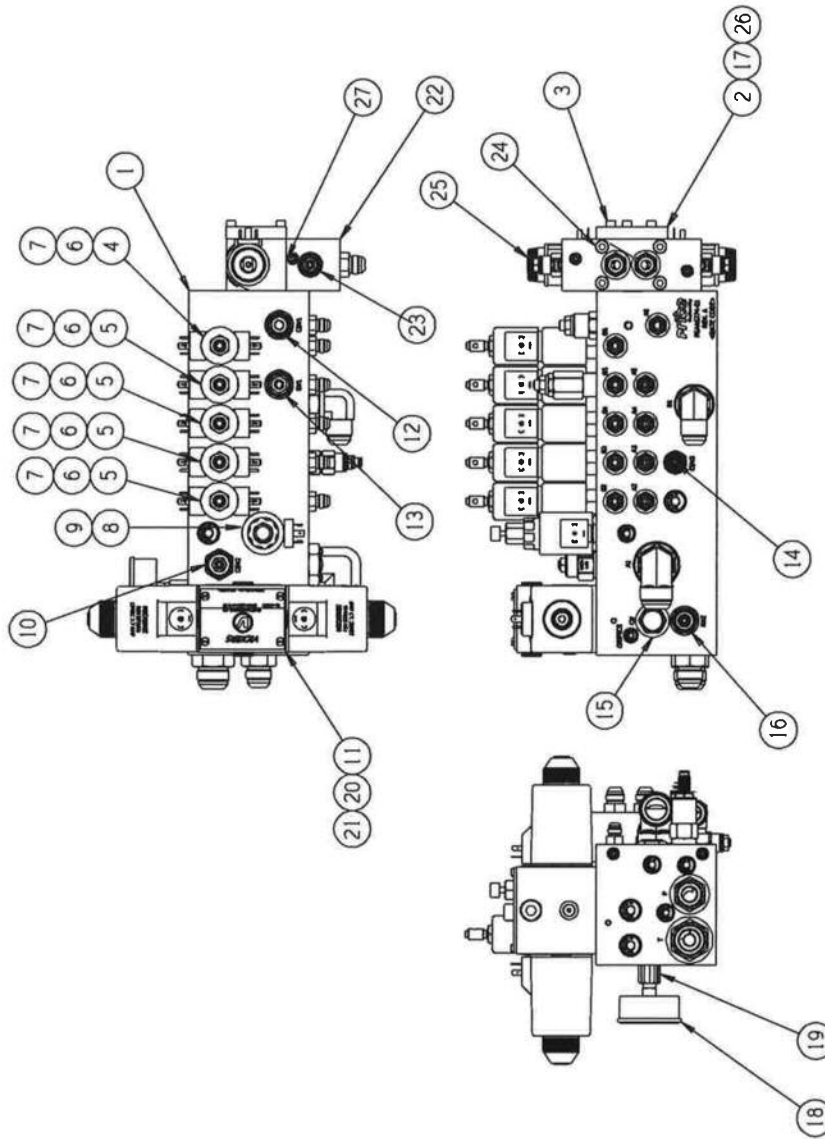


TITLE:	WIRING, BOOM LITS, LED, MD1600
DWG. NO.	9216-00904
REV	F
SIZE	SCALE: None
WEIGHT:	SHEET 2 OF 3

WIRING BOOM 3 of 3 Item 9216-00904



VALVE BOOM/BODY with DUMP Item 6000-02518



ASSEMBLY DWG. #6000-02518

**Super Products**  
MILWAUKEE, WI. - U.S.A.

TITLE: VALVE, BOOM/BODY W/DUMP

DRAWING NO: 9710-02955



**VALVE, BOOM/BODY W/DUMP**

Item	Part No	Qty	Description
1	7310-03026	1	Manifold Block
2	7310-03027	1	MDG Valve cover plate
3	0168-00300	3	Screw cap .25-20 x 3.00 SOC
4	7310-03028	1	Cartridge-Directional, 4 way 3Pos , W/MAN OVRD P-BLOCKED, A & B -T
5	7310-03029	4	Cartridge-Directional, 4 way 3pos, W/MAN OVRD all Ports blocked
6	7310-03030	10	Toughcoil, DIN 43650-A-12VDC, 350 BAR MCSC1012DG000010
7	7310-03031	5	Coil spacer
8	7310-03032	1	Cartridge-proportional, N.C., 15GPM
9	7310-03033	1	Coil, proportional, 12VDC, DIN 43650 connector
10	7310-03034	1	Cartridge-counterbalance, non vented, 3:1 pilot ratio, 1000-4000 psi adj
11	7310-03035	1	Valve-HYD, DCV, DOS, Typ 2C spool, 12VDC
12	7310-03036	1	Cartridge-counterbalance, 8 GPM, 5:1 ratio,set @ 1600PSI
13	7310-03037	1	Cartridge-BI-relief, 75-200 Bar. ADJ, set @ 900 PSI
14	7310-03038	1	Cartridge-counterbalance, 3:1 Atmospherically vented, 1000-4000 pis ADJ, Set @ 2000 psi
15	7310-03039	1	Cartridge-check valve, poppet typ, 20 psi cracking
16	7310-03040	1	Cartridge-relief, pilot operated, spool typ, 250-3500 psi Set @ 1600 psi
17	7310-03041	2	o-ring-# 015, 90 durometer, buna
18	6000-02549	1	Gauge 3000 psi
19	6015-00002	1	Bushing, RED.o-ring .25 x .56
20	0168-00175	3	Screw cap .25-20 x 1.75 SOC
21	7310-03042	4	O-RING -#140, 70 DUROMETER, BUNA-N
22	7310-03043	1	Dual counterbalance module
23	7310-03044	2	Cartridge-Counterbalance, non vented, 3:1 pilot ratio, 1000-4000 psi adj w/25psi check
24	7310-03045	4	Screw socket head M8x1.25x60mm
25	7310-03046	1	Directional valve-MDG, thru ported, 12VDC DIN, P Blocked, A&B-tank
26	7310-03047	1	O-Ring #013
27	7310-03048	2	O-Ring 021



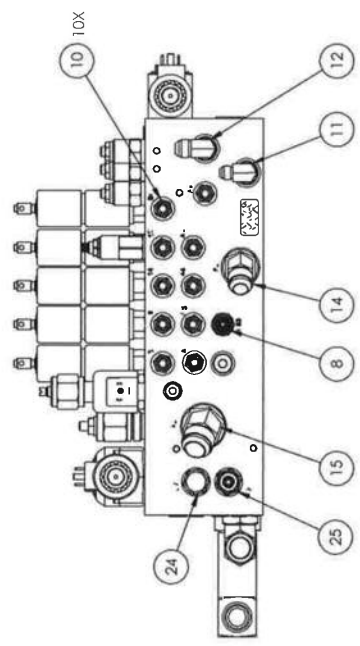
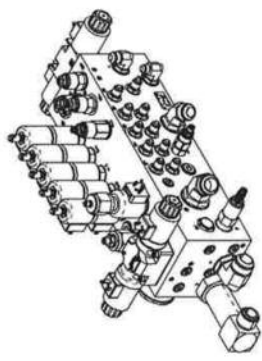
SUPER PRODUCTS LLC. P.O. BOX 510110 NEW BERLIN, WI 53151-0110  
 TELEPHONE: (800) 837-9711 (262) 784-7100 FAX: (262) 784-9561

Document No. 9710-02955-0811

MANIFOLD, CONTROL 1 of 3 Item 0033475

REV #	ECO #	DESCRIPTION	DATE	APPR
A				

ITEM NO.	PART NUMBER	DESCRIPTION	QTY.
1	0033527	VALVE D05, CLOSED CENTER	1
2	0033553	VALVE, COUNTERBALANCE, 2.5:1	2
3	0033555	REGULATOR, FLOW, CART 0.10 GPM	1
4	0033559	VALVE, FLOAT CENTER, D03 3P-4W	1
5	0033566	BOLT KIT 1/0-24X1.25	1
6	0033567	BOLT KIT, SHCS 1/4"-20 X 1.38	1
7	0033704	CARTRIDGE-COUNTERBALANCE, NON-VENTED	1
8	0033706	CARTRIDGE - COUNTERBALANCE,2.5:1	1
9	0033761	GAUGE, 3000 PSI, SAE-04 ORB	1
10	6130-00606	ADAPTER, STR.(M)JIC/(M)O-RING	10
11	6137-00608	ADAPTER, 90° M O-RING X M JIC	1
12	6137-00808	ADAPTER, 90° M O-RING X M JIC	1
13	6137-01616	ADAPTER,90DEG;(M)O-RING;(M)JIC	1
14	6138-01212	ADAPTER, 45DEG M O-RING - M JIC	1
15	6138-01616	Adapter, 45°, M O-ring x M JIC	1
16	6144-01616	ADAPTER, 90° XX-LONG M-O-RING/M-JIC	1
17	7310-03028	CARTRIDGE, SOLENOID FLOAT CENTER	1
18	7310-03029	CARTRIDGESOLENOID CLOSED CENTER	4
19	7310-03030	COIL, J SERIES,12VDC DIN 43650	10
20	7310-03032	CARTRIDGE PROPORTIONAL FLOW W/BYPASS	1
21	7310-03033	COIL, EVV SERIES, 12 VDC, DIN	1
22	7310-03036	VALVE, COUNTERBALANCE, 5:1	1
23	7310-03037	CARTRIDGE, CROSS-OVER RELIEF	1
24	7310-03039	VALVE CHECK, CARTRIDGE	1
25	7310-03040	CARTRIDGE-RELIEF PILOT OPERATED	1



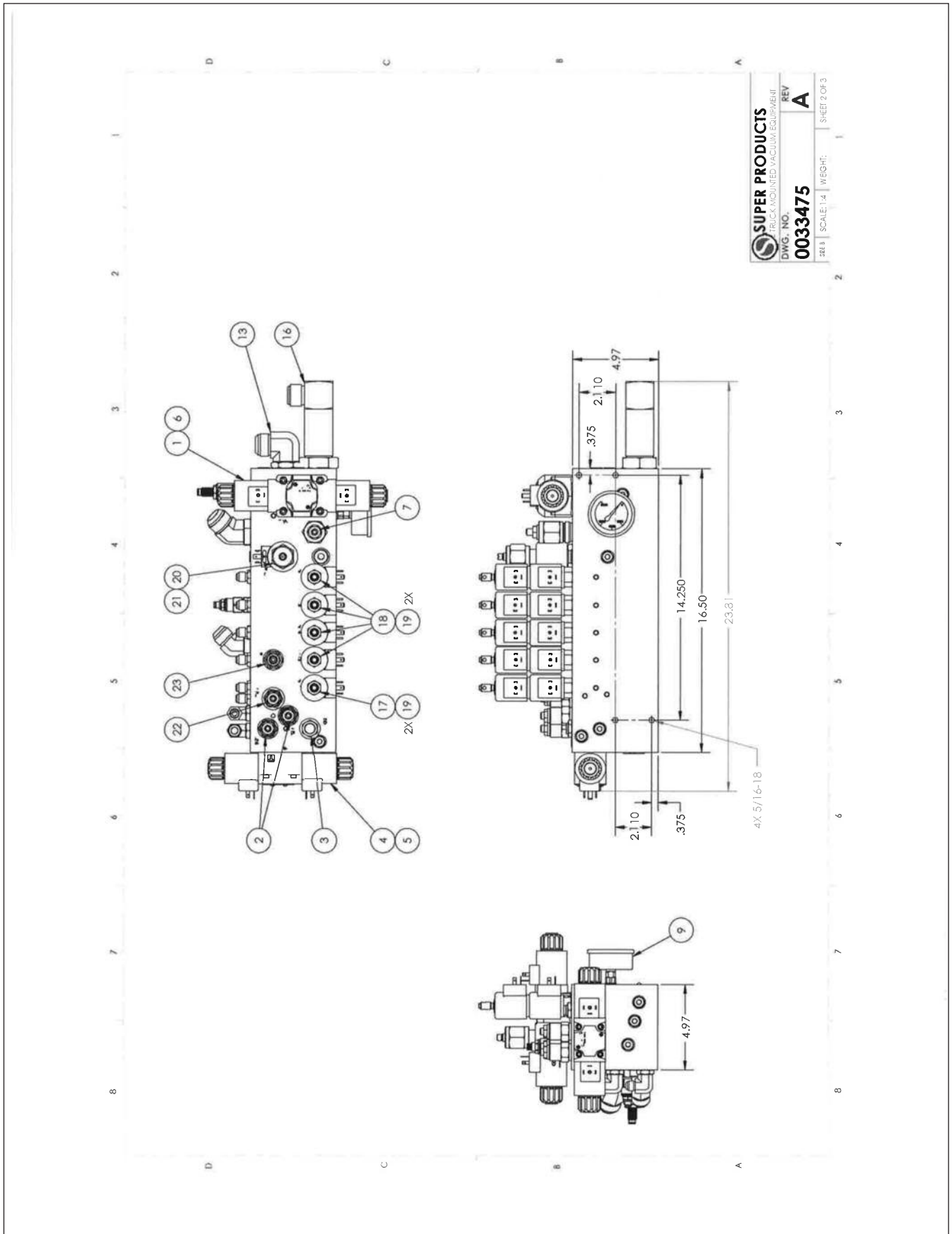
NOTES :

- 1) PORT SIZE:  
SAE - 04 : G  
SAE - 06 : A2 - A6, B2 - B6  
SAE - 08 : A7, B7  
SAE - 12 : P, B1  
SAE - 16 : T, A1
- 2) COIL SPECIFICATION:  
VOLT : 12 VDC  
TERMINALS : DIN.

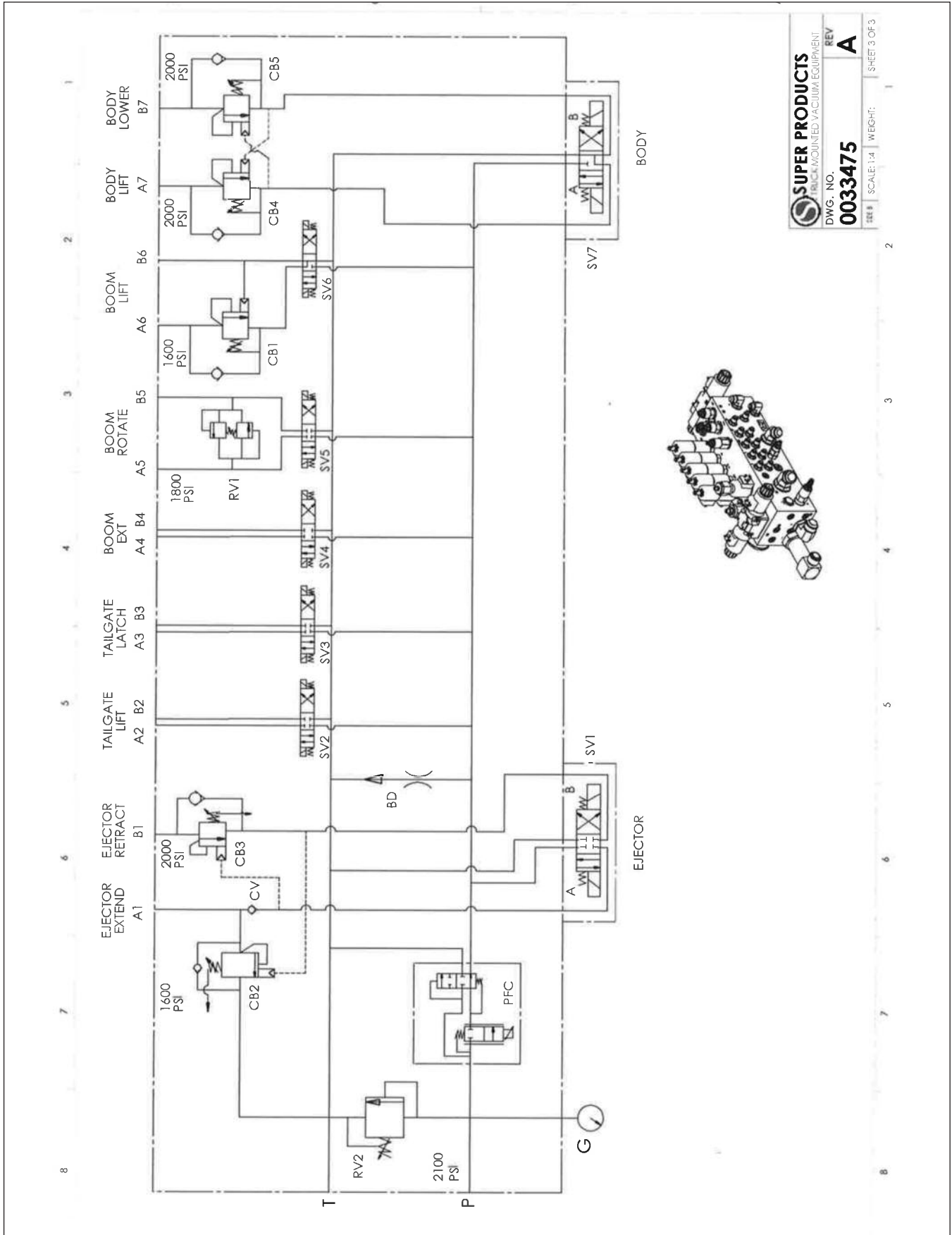
NAME	DATE
MR. BRYAN	02/28/2018
DESIGNER	DATE
S. LBY	02/20/2018
TITLE: MANIFOLD, CONTROL, MD	
DWG. NO. 0033475	
SHEET 1 OF 3	

DIMENSIONS ARE IN INCHES  
 TOLERANCES ARE:  
 FRACTIONS DECIMALS  
 .0005 .0005  
 .0010 .0010  
 .0015 .0015  
 .0020 .0020  
 .0030 .0030  
 .0040 .0040  
 .0050 .0050  
 .0060 .0060  
 .0070 .0070  
 .0080 .0080  
 .0090 .0090  
 .0100 .0100  
 .0150 .0150  
 .0200 .0200  
 .0300 .0300  
 .0400 .0400  
 .0500 .0500  
 .0600 .0600  
 .0700 .0700  
 .0800 .0800  
 .0900 .0900  
 .1000 .1000  
 .1250 .1250  
 .1500 .1500  
 .1750 .1750  
 .2000 .2000  
 .2500 .2500  
 .3000 .3000  
 .3750 .3750  
 .4375 .4375  
 .5000 .5000  
 .6250 .6250  
 .7500 .7500  
 .8750 .8750  
 1.0000 1.0000  
 1.2500 1.2500  
 1.5000 1.5000  
 1.7500 1.7500  
 2.0000 2.0000  
 2.5000 2.5000  
 3.0000 3.0000  
 3.7500 3.7500  
 4.3750 4.3750  
 5.0000 5.0000  
 6.2500 6.2500  
 7.5000 7.5000  
 8.7500 8.7500  
 10.0000 10.0000

MANIFOLD, CONTROL 2 of 3 Item 0033475



MANIFOLD, CONTROL 3 of 3 Item 0033475

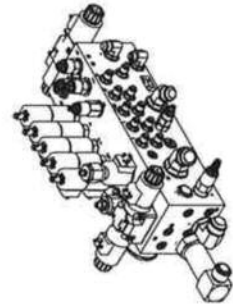


**SUPER PRODUCTS**  
HYDRA-MOUNTED VACUUM EQUIPMENT

DWG. NO. **0033475**

REV **A**

SCALE: 1:1 | WEIGHT: | SHEET 3 OF 3



**Vacuum Pump, 1125 DVJ  
Parts Breakdown**

Item	Part No	Qty	Description
1*	7300-02623	2	Headplate
2	7300-02624	1	Cylinder
3*	7300-02625	1	Gearbox
5*	7300-02626	1	End Cover
7*	7300-02627	2	Impeller
8*	7300-02628	4	Plate, Bearing Clamp
9	7300-02629	2	Gear
12*	7300-02630	1	Shaft, Gear End Driven
14*	7300-02631	2	Shaft, Opposite Gear End
16	7300-02632	1	Key, Sq. 0.75 x 3.63 (Coupling)
17	7300-02633	2	Shim Set
18	7300-02634	2	Gasket, Gearbox End Cover
21	7300-02232	16	Washer, Lock 0.38 (Clamp Plates)
22	7300-02635	16	Screw, Hex Hd Cap 0.38-16 x 1.25 (Clamp Plates)
23	7300-02622	1	Seal, Driveshaft
27	7300-02636	4	Seal, Inboard
29	7300-02637	2	Lug, Lifting - Trilobe
30	7300-02638	76	Screw, Hex Hd Cap 0.5-13 x 1.50 (Covers/Headplate)
30A	7300-02639	18	Screw, Hex Hd Cap 0.5-13 x 1.75 (Lifting Lugs/Feet)
31*	7300-02640	4	Bearing, Roller
34*	7300-02641	1	Nameplate, Serial Number
35	7300-02242	18	Screw, Rd Hd Drive #4 x 0.19 (Nameplates/Arrow)
36	7300-02243	4	Pin, Dowel 0.483 x 1.50 (Gearbox Alignment)
37	7310-02269	2	Plug, Vent 0.5
42	7300-02642	54	Screw, Soc Hd Cap 0.44-14 x 2.00 (Impeller)
43	7300-02643	6	Pin, Taper #8 x 2.25 (Impeller)
44	7300-02644	1	Label, Whispair 5 x 1.75
69	7310-02270	6	Plug, Pipe 0.5 Steel (Headplate)
70	7310-02101	5	Plug, Pipe 0.75 Steel (Gearbox/End Cover/Cylinder )
74	7300-02272	1	Rotation Arrow - Curved
87	7300-02282	2	Sight Plug, Oil Level
92	7300-02645	2	Label, Lubrication
100	7300-02646	4	Pin, Dowel - Pull Out 0.75 x 2.00 (Headplate Alignment)
101	7300-02647	2	Nut, Lock - Bearing (Gears/Bearings)
105*	7300-02648	1	Shaft, Gear End Drive
109	7300-02649	4	Seal, Piston Ring 5.5 OD
141	7300-02650	1	Slinger, Oil - Opposite Gear End
181	7300-02651	1	Plate, Cover - Cylinder
182	7300-02652	12	Screw, Hex Hd Cap 0.38-16 x 1.0 (Cover Plate)
184	7300-02653	1	Slinger, Oil - Gear End
185	7300-02654	3	Screw, Button Hd Nylon 0.63-11 x 1.0 (Slinger)
186	7300-02655	6	Washer, Flat 0.66 ID (Slinger)
188	7300-02656	2	Washer, Wavy - Spring 5.817 OD
189	7300-02657	2	Foot, R.H.
190	7300-02658	2	Foot, L.H.
196	7310-02278	4	Screw, Hex Hd Cap 0.38-16 x 0.75 (Slinger)
197	7300-02659	2	Nipple, Close 0.5 NPT Sch 40 (Vent Plug)
198	7300-02660	2	Coupling, Pipe 0.5 NPT (Vent Plug)
203	0082-00003	4	Washer, Flat 0.38 (Slinger)

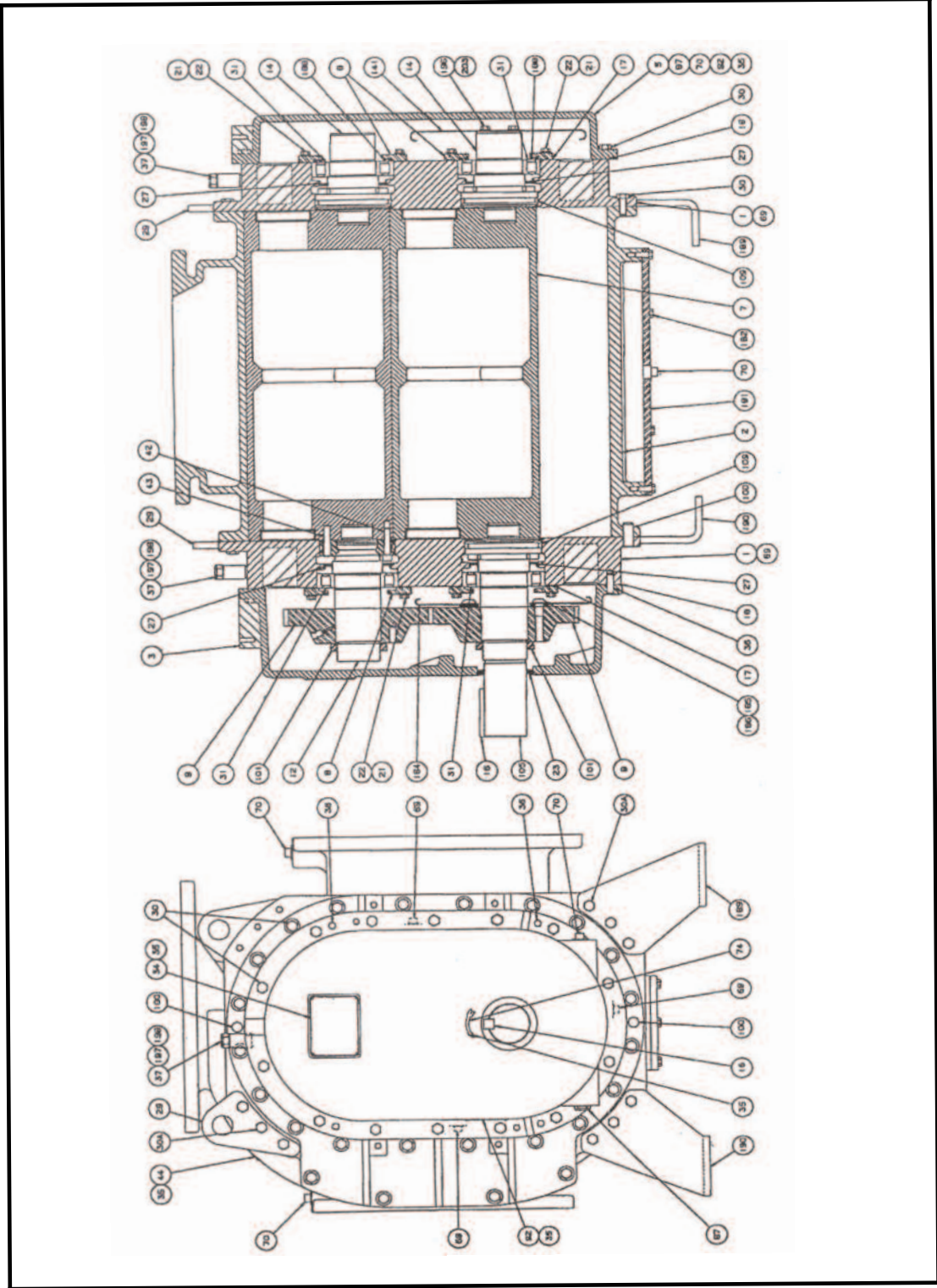
Note - Items Marked ( \* ) Blower Serial Number Required



SUPER PRODUCTS CORPORATION P.O. BOX 27225 MILWAUKEE, WI 53227  
TELEPHONE: (800) 837-9711 (262) 784-7100 FAX: (262) 784-9561

Document No. 6000-02217 Page 1 of 2

Vacuum Pump, 1125 DVJ  
Parts Breakdown



SUPER PRODUCTS CORPORATION P.O. BOX 27225 MILWAUKEE, WI 53227  
TELEPHONE: (800) 837-9711 (262) 784-7100 FAX: (262) 784-9561  
Document No. 6000-02217 Page 2 of 2



**OMSI Transmissions, Inc.**



## **PARTS MANUAL**

## **TRANSFER CASE**

Model: **PFT-PCV/3000**

SUPER PRODUCTS Part Number: **7000-00198**

---

SUPER PRODUCTS LLC P.O. BOX 510110 New Berlin, WI 53151-0110  
TELEPHONE: (800) 837-9711 (262) 784-7100  
FAX: (262) 784-9392

Document Number 9710-03088-0612 1

# GENERAL ORDERING INFORMATION



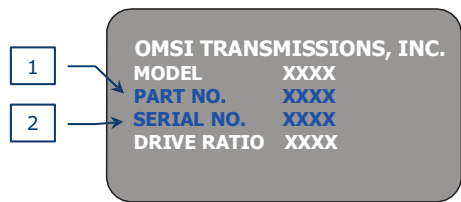
## General Ordering Information

<b>PFT-PCV/3000</b>	
Rev. 00	Tav. 0.0



**ALWAYS PROVIDE THE FOLLOWING INFORMATION FOUND ON THE SERIAL NUMBER PLATE OF EVERY UNIT:**

- 1. UNIT PART NUMBER
- 2. UNIT SERIAL NUMBER



ALL OMSI PRODUCTS INCORPORATE A NAME PLATE FOR PROPER IDENTIFICATION.

10810047-03 - 04/09/12 - DM

SUPER PRODUCTS LLC P.O. BOX 510110 New Berlin, WI 53151-0110  
 TELEPHONE: (800) 837-9711 (262) 784-7100  
 FAX: (262) 784-9392

Document Number 9710-03088-0612 2

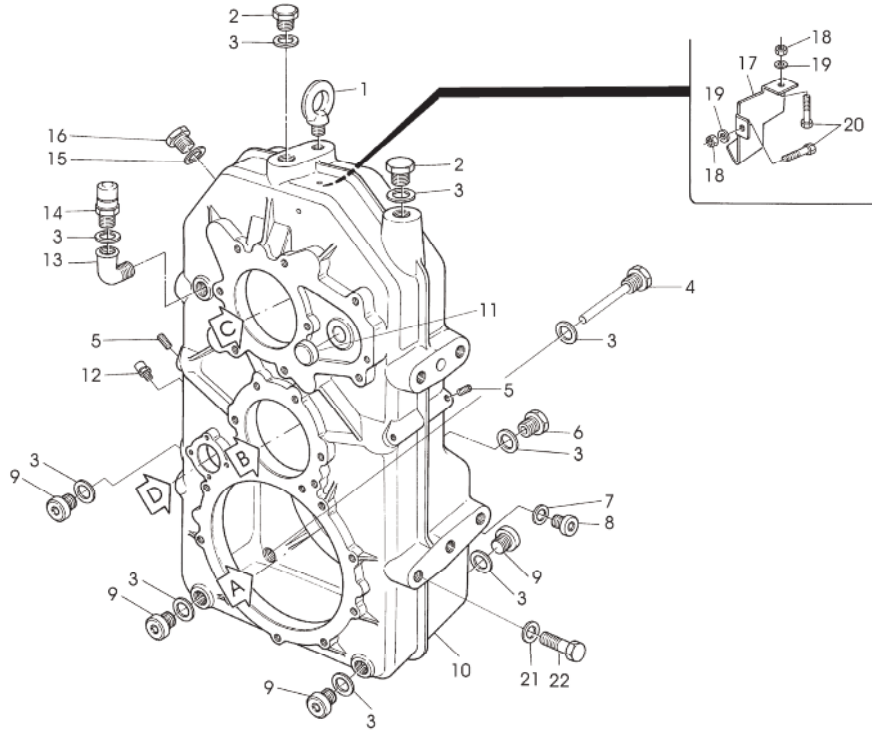


# HOUSING – 1:1 RATIO



## Housing – 1:1 ratio

<b>PFT-PCV/3000</b>	
Rev. 00	Tav. 01



Pos.	Part No.	Description	Qty	Pos.	Part No.	Description	Qty
1	7310-03084	Eye, lifting	1	21	7310-03102	Washer, lock	10
2	7310-03085	Plug	2	22	7310-03103	Screw, M18x45	10
3	7310-03081	Washer, copper	9	23			
4	7310-03086	Plug, magnetic	1	24			
5	7310-03087	Screw, set	4	25			
6	7310-03082	Eye, sight	1	26			
7	7310-03088	Washer, copper	1	27			
8	7310-03089	Plug	1	28			
9	7310-03090	Plug	4	29			
10	7310-03091	Housing, 1:1 ratio	1	30			
11	7310-03092	Plug, freeze	1	31			
12	7310-03093	Plug	1	32			
13	7310-03094	Adapter	1	33			
14	7310-03095	Plug, breather	1	34			
15	7310-03096	Washer, copper	1	35			
16	7310-03097	Plug	1	36			
17	7310-03098	Conveyer, oil	1	37			
18	7310-03099	Nut	2	38			
19	7310-03100	Washer, conical	2	39			
20	7310-03101	Screw, M6x20	2	40			

10810047-03 - 04/09/12 - DM

SUPER PRODUCTS LLC P.O. BOX 510110 New Berlin, WI 53151-0110  
 TELEPHONE: (800) 837-9711 (262) 784-7100  
 FAX: (262) 784-9392

Document Number 9710-03088-0612 3

**INPUT DRIVE – 1:1 RATIO**



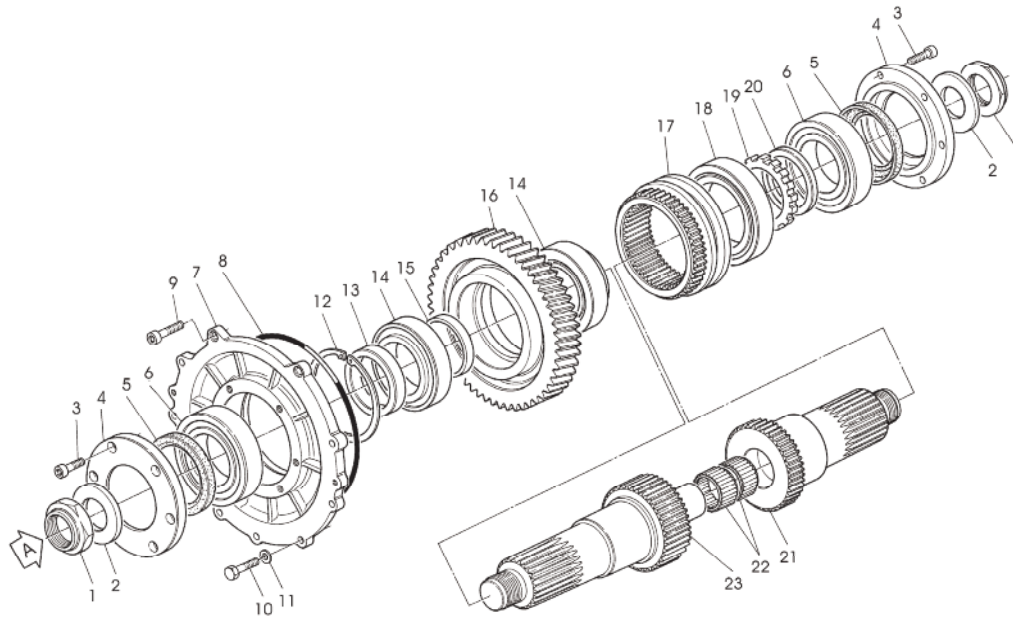
OMSI Transmissions, Inc.

**Input drive – 1:1 ratio**

**PFT-PCV/3000**

Rev. 00

Tav. 02



Pos.	Part No.	Description	Qty	Pos.	Part No.	Description	Qty
1	7310-03104	Nut, lock	2	21	7310-03124	Shaft, output	1
2	7310-03105	Spacer	2	22	7310-03125	Bearing, needle cage	2
3	7310-03106	Screw, M10x25	12	23	7310-03126	Shaft, input	1
4	7310-03107	Cover, support	2	24			
5	7310-03108	Seal, oil	2	25			
6	7310-03109	Bearing, roller	2	26			
7	7310-03110	Flange, support	1	27			
8	7310-03111	O'Ring	1	28			
9	7310-03112	Screw, M10x30	2	29			
10	7310-03113	Screw, M10x35	7	30			
11	7310-03114	Washer, lock	7	31			
12	7310-03115	Ring, elastic	1	32			
13	7310-03116	Bushing, spacer	1	33			
14	7310-03117	Bearing, roller	2	34			
15	7310-03118	Ring, internal	1	35			
16	7310-03119	Gear	1	36			
17	7310-03120	Ring, engagement	1	37			
18	7310-03121	Bearing, roller	1	38			
19	7310-03122	Ring, sensor	1	39			
20	7310-03123	Ring, spacer	1	40			

10810047-03 - 04/09/12 - DM

SUPER PRODUCTS LLC P.O. BOX 510110 New Berlin, WI 53151-0110  
 TELEPHONE: (800) 837-9711 (262) 784-7100  
 FAX: (262) 784-9392

Document Number 9710-03088-0612 4

# SHIFTER CONTROL – INPUT DRIVE

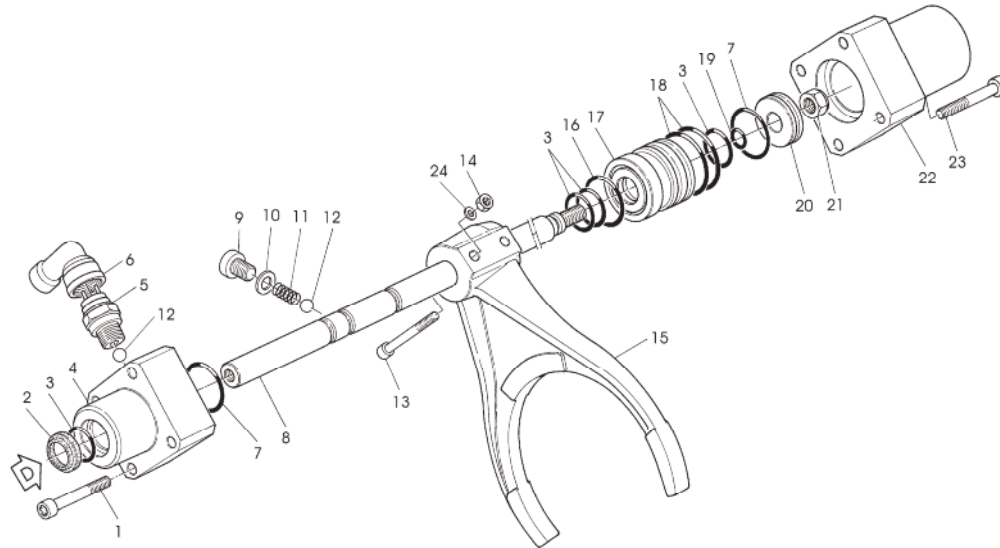


## Shifter control – Input drive

PFT-PCV/3000

Rev. 00

Tav. 03



Pos.	Part No.	Description	Qty	Pos.	Part No.	Description	Qty
1	7310-03127	Screw, M8x50	4	21	7310-03147	Nut, lock	1
2	7310-03128	Seal, wiper	1	22	7310-03148	Housing, cylinder	1
3	7310-03129	O'ring	4	23	7310-03149	Screw, M8x45	4
4	7310-03130	Housing, shaft support	1	24	7310-03150	Washer, conical	2
5	7310-03131	Switch, positioning sensor	1	25	7310-03151	Plug, breather (not shown)	2
6	7310-03132	Cover, wiring protection	1	26			
7	7310-03133	O'ring	2	27			
8	7310-03134	Shaft, shift control	1	28			
9	7310-03135	Screw, M12x21,5	1	29			
10	7310-03136	Washer, copper	1	30			
11	7310-03137	Spring	1	31			
12	7310-03138	Ball, 3/8"	2	32			
13	7310-03139	Screw, M8x47	2	33			
14	7310-03140	Nut, lock	2	34			
15	7310-03141	Fork, shifter engagement	1	35			
16	7310-03142	O'ring	1	36			
17	7310-03143	Ring, guide	1	37			
18	7310-03144	O'ring	2	38			
19	7310-03145	O'ring	1	39			
20	7310-03146	Piston, cylinder	1	40			

10810047-03 - 04/09/12 - DM

SUPER PRODUCTS LLC P.O. BOX 510110 New Berlin, WI 53151-0110  
 TELEPHONE: (800) 837-9711 (262) 784-7100  
 FAX: (262) 784-9392

Document Number 9710-03088-0612 5

**INTERMEDIATE DRIVE – 1:1 RATIO**



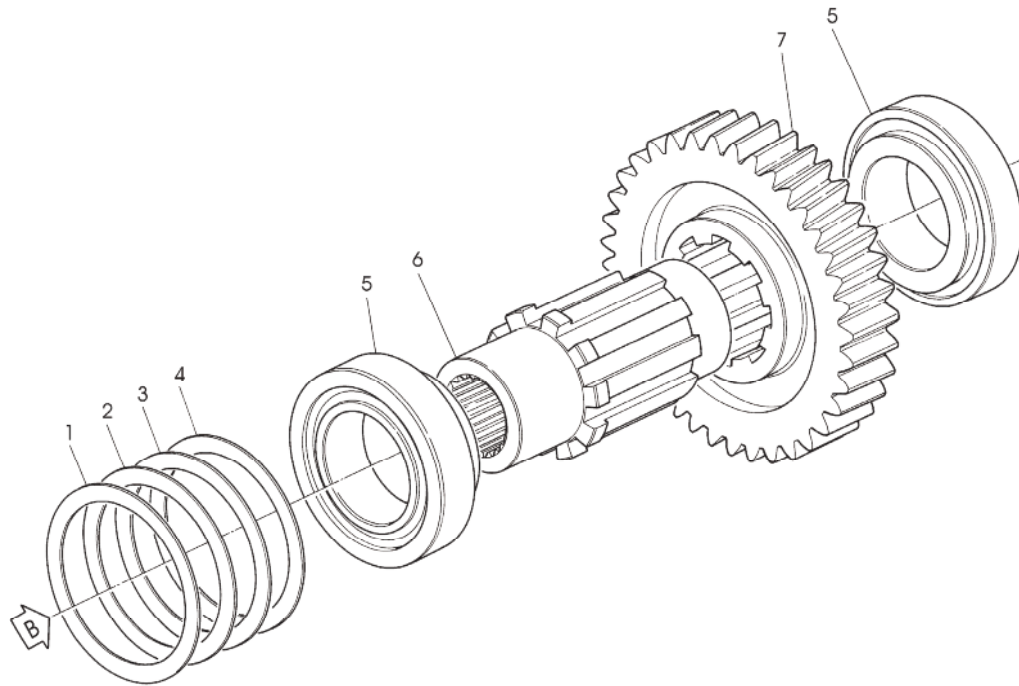
OMSI Transmissions, Inc.

**Intermediate drive – 1:1 ratio**

**PFT-PCV/3000**

Rev. 00

Tav. 04



Pos.	Part No.	Description	Qty	Pos.	Part No.	Description	Qty
1	7310-03152	Shim, 0.1 mm	1	21			
2	7310-03153	Shim, 0.2 mm	1	22			
3	7310-03154	Shim, 0.3 mm	1	23			
4	7310-03155	Shim, 0.5 mm	1	24			
5	7310-03156	Bearing, roller	2	25			
6	7310-03157	Shaft	1	26			
7	7310-03158	Gear	1	27			
8				28			
9				29			
10				30			
11				31			
12				32			
13				33			
14				34			
15				35			
16				36			
17				37			
18				38			
19				39			
20				40			

10810047-03 - 04/09/12 - DM

**SUPER PRODUCTS LLC P.O. BOX 510110 New Berlin, WI 53151-0110**  
**TELEPHONE: (800) 837-9711 (262) 784-7100**  
**FAX: (262) 784-9392**

Document Number 9710-03088-0612 6

# COVER PLATE Item 7310-03163

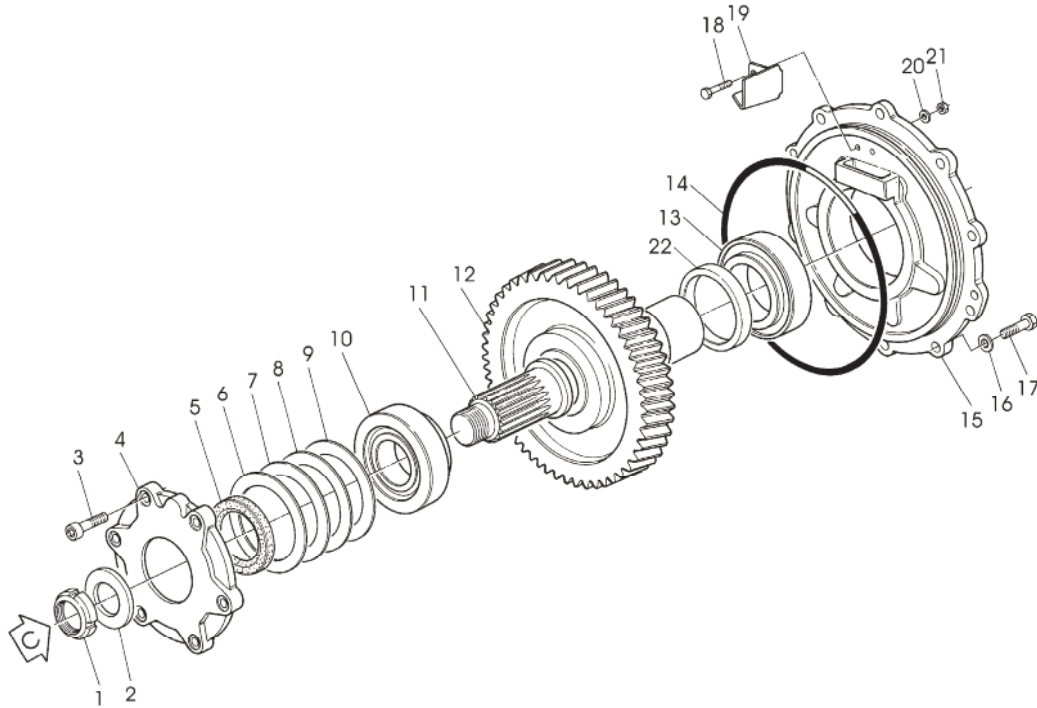


**Output drive – 1:1 ratio**

**PFT-PCV/3000**

Rev. 00

Tav. 05



Pos.	Part No.	Description	Qty	Pos.	Part No.	Description	Qty
1	7310-03159	Nut, lock	1	21	7310-03099	Nut, bearing	2
2	7310-03160	Spacer	1	22	7310-03174	Spacer	1
3	7310-03106	Screw, M10x25	6	23			
4	7310-03161	Flange, oil seal support	1	24			
5	7310-03162	Seal, oil	1	25			
6	7310-03152	Shim, 0.1 mm	1	26			
7	7310-03153	Shim, 0.2 mm	1	27			
8	7310-03154	Shim, 0.3 mm	1	28			
9	7310-03155	Shim, 0.5 mm	1	29			
10	7310-03167	Bearing, roller	1	30			
11	7310-03168	Shaft, output	1	31			
12	7310-03169	Gear	1	32			
13	7310-03156	Bearing, roller	1	33			
14	7310-03171	O'ring	1	34			
15	7310-03172	Flange, bearing support	1	35			
16	7310-03114	Washer, lock	9	36			
17	7310-03113	Screw, M10x35	9	37			
18	7310-03101	Screw, M6x20	2	38			
19	7310-03173	Conveyer, oil	1	39			
20	7310-03100	Washer, conical	2	40			

10810047-03 - 04/09/12 - DM

**SUPER PRODUCTS LLC P.O. BOX 510110 New Berlin, WI 53151-0110**  
**TELEPHONE: (800) 837-9711 (262) 784-7100**  
**FAX: (262) 784-9392**

Document Number 9710-03088-0612 7

# OUTPUT DRIVE – 1:1 RATIO



OMSI Transmissions, Inc.

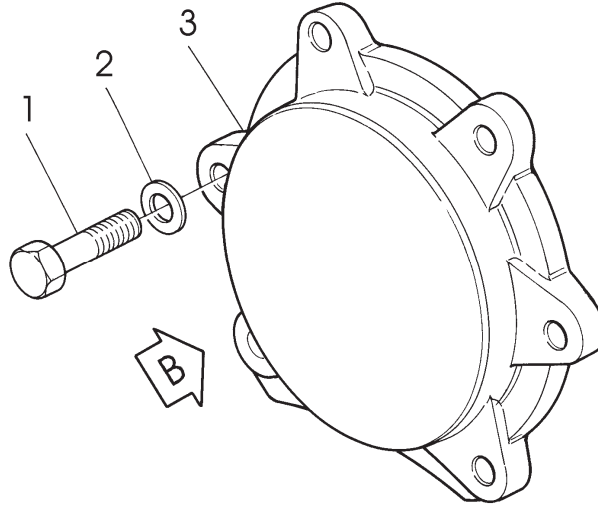
## Cover plate

Kit part number: 7310-03163

KIT

Rev. 00

Tav. 6



Pos.	Part No.	Description	Qty	Pos.	Part No.	Description	Qty
1	7310-03113	Screw, M10x35	6	21			
2	7310-03114	Washer, lock	6	22			
3	7310-03175	Cover	1	23			
4				24			
5				25			
6				26			
7				27			
8				28			
9				29			
10				30			
11				31			
12				32			
13				33			
14				34			
15				35			
16				36			
17				37			
18				38			
19				39			
20				40			

10810047-03 - 04/09/12 - DM

SUPER PRODUCTS LLC P.O. BOX 510110 New Berlin, WI 53151-0110  
 TELEPHONE: (800) 837-9711 (262) 784-7100  
 FAX: (262) 784-9392

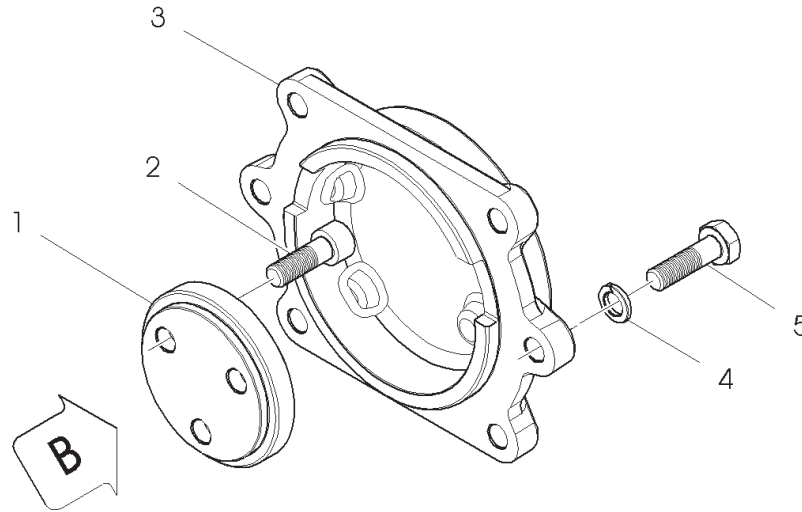
Document Number 9710-03088-0612 6

# COVER PLATE Item 7310-03164



**Cover plate**  
Kit part number: 7310-03164

<b>KIT</b>	
Rev. 00	Tav. 7



Pos.	Part No.	Description	Qty	Pos.	Part No.	Description	Qty
1	7310-03176	Spacer	1	21			
2	7310-03177	Screw, M10x30	3	22			
3	7310-03178	Cover	1	23			
4	7310-03114	Washer, lock	6	24			
5	7310-03113	Screw, M10x35	6	25			
6				26			
7				27			
8				28			
9				29			
10				30			
11				31			
12				32			
13				33			
14				34			
15				35			
16				36			
17				37			
18				38			
19				39			
20				40			

10810047-03 - 04/09/12 - DM

SUPER PRODUCTS LLC P.O. BOX 510110 New Berlin, WI 53151-0110  
TELEPHONE: (800) 837-9711 (262) 784-7100  
FAX: (262) 784-9392

Document Number 9710-03088-0612 7

**COVER PLATE ITEM 7310-03165**



OMSI Transmissions, Inc.

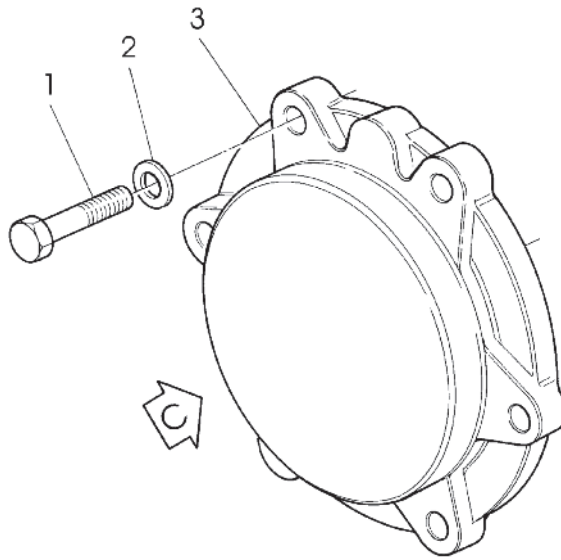
**Cover plate**

Kit part number: 7310-03165

**KIT**

Rev. 00

Tav. 09



Pos.	Part No.	Description	Qty	Pos.	Part No.	Description	Qty
1	7310-03113	Screw , M10x35	6	21			
2	7310-03114	Washer, lock	6	22			
3	7310-03179	Cover	1	23			
4				24			
5				25			
6				26			
7				27			
8				28			
9				29			
10				30			
11				31			
12				32			
13				33			
14				34			
15				35			
16				36			
17				37			
18				38			
19				39			
20				40			

10810047-03 - 04/09/12 - DM

SUPER PRODUCTS LLC P.O. BOX 510110 New Berlin, WI 53151-0110  
 TELEPHONE: (800) 837-9711 (262) 784-7100  
 FAX: (262) 784-9392

Document Number 9710-03088-0612 8



# FLANGE – INPUT / OUTPUT SHAFT



OMSI Transmissions, Inc.

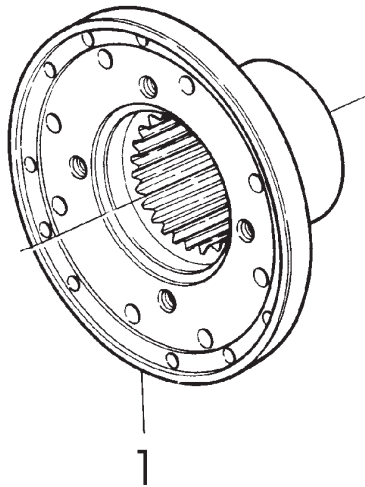
Flange – input / output shaft

KIT

Rev. 00

Tav. 09

SAE  
1600-1800



Pos.	Part No.	Description	Qty	Pos.	Part No.	Description	Qty
1	7310-03180	SAE 1600/1800 drive flange	2	21			
2	7310-03181	SPL-250 flange yoke (n.s.)	2	22			
3	7310-03182	Cap screw, 7/16"-20x1-3/4" (n.s.)	12	23			
4	7310-03183	Nut, hex, 7/16"-20" (not shown)	12	24			
5	7310-03184	Washer, lock, 7/16" (not shown)	12	25			
6				26			
7				27			
8				28			
9				29			
10				30			
11				31			
12				32			
13				33			
14				34			
15				35			
16				36			
17				37			
18				38			
19				39			
20				40			

10810047-03 - 04/09/12 - DM

SUPER PRODUCTS LLC P.O. BOX 510110 New Berlin, WI 53151-0110  
 TELEPHONE: (800) 837-9711 (262) 784-7100  
 FAX: (262) 784-9392

Document Number 9710-03088-0612 9

**FLANGE – UPPER DRIVE**



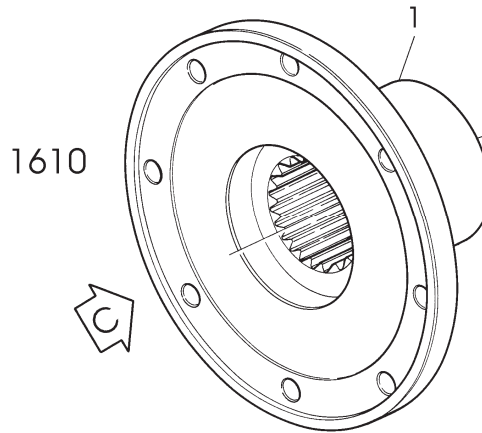
OMSI Transmissions, Inc.

**Flange – upper drive**

**PFT-PCV/3000**

Rev. 00

Tav. 10



Pos.	Part No.	Description	Qty	Pos.	Part No.	Description	Qty
1	7310-03185	SAE-1610 drive flange	1	21			
2	7310-03186	SAE-1610 flange yoke (n.s.)	1	22			
3	7310-03187	Cap screw, 3/8"-16x1-1/2" (n.s.)	8	23			
4	7310-03188	Nut, hex, 3/8"-16" (not shown)	8	24			
5	7310-03189	Washer, lock, 3/8" (not shown)	8	25			
6				26			
7				27			
8				28			
9				29			
10				30			
11				31			
12				32			
13				33			
14				34			
15				35			
16				36			
17				37			
18				38			
19				39			
20				40			

10810047-03 - 04/09/12 - DM

SUPER PRODUCTS LLC P.O. BOX 510110 New Berlin, WI 53151-0110  
 TELEPHONE: (800) 837-9711 (262) 784-7100  
 FAX: (262) 784-9392

Document Number 9710-03088-0612 10

# MOUNTING HARDWARE



OMSI Transmissions, Inc.

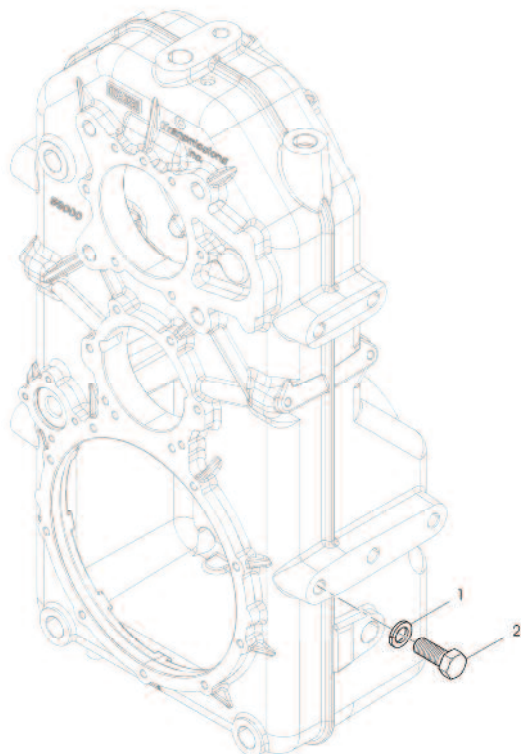
## Mounting hardware

Kit part number:  
7310-03166

KIT

Rev. 00

Tav. 00



Pos.	Part No.	Description	Qty	Pos.	Part No.	Description	Qty
1	7310-03102	Washer, lock	10	21			
2	7310-03103	Screw, M18x45	10	22			
3				23			
4				24			
5				25			
6				26			
7				27			
8				28			
9				29			
10				30			
11				31			
12				32			
13				33			
14				34			
15				35			
16				36			
17				37			
18				38			
19				39			

10810047-03 - 04/09/12 - DM

SUPER PRODUCTS LLC P.O. BOX 510110 New Berlin, WI 53151-0110  
TELEPHONE: (800) 837-9711 (262) 784-7100  
FAX: (262) 784-9392

Document Number 9710-03088-0612 11

# PLUG – CYLINDER BREATHER



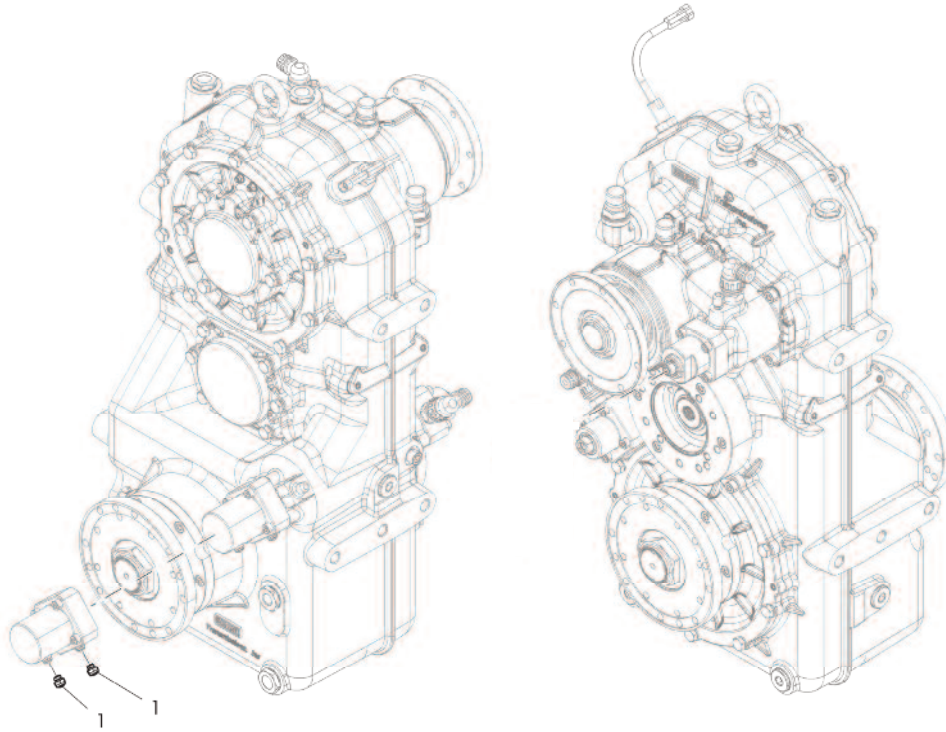
OMSI Transmissions, Inc.

## Plug – cylinder breather

KIT

Rev. 00

Tav. 00



Pos.	Part No.	Description	Qty	Pos.	Part No.	Description	Qty
1	7310-03151	Plug, breather	2	21			
2				22			
3				23			
4				24			
5				25			
6				26			
7				27			
8				28			
9				29			
10				30			
11				31			
12				32			
13				33			
14				34			
15				35			
16				36			
17				37			
18				38			
19				39			
20				40			

10810047-03 - 04/09/12 - DM

SUPER PRODUCTS LLC P.O. BOX 510110 New Berlin, WI 53151-0110  
 TELEPHONE: (800) 837-9711 (262) 784-7100  
 FAX: (262) 784-9392

Document Number 9710-03088-0612 12

# DISCLAIMER



OMSI Transmissions, Inc.

PFT-PCV/3000

Rev. 00

Tav. 00

THE INSTRUCTIONS, DESIGNS, TABLES, SPECIFICATIONS, AND GENERAL CONTENTS OF THIS MANUAL ARE OF TECHNICAL NATURE AND RESERVED. ALL THE INFORMATION WITHIN SHALL NOT BE REPRODUCED COMPLETELY, PARTIALLY, NOR IT SHALL BE COMMUNICATED TO THIRD PARTIES WITHOUT THE WRITTEN AUTHORIZATION OF OMSI TRANSMISSIONS, INC., SOLE PROPRIETARY OF ALL RIGHTS, INCLUSIVE THE RESERVATION OF PERFORMING CHANGES AS IT CONSIDERS NECESSARY WITHOUT PREVIOUS NOTIFICATION.

10810047-03 - 04/09/12 - DM

SUPER PRODUCTS LLC P.O. BOX 510110 New Berlin, WI 53151-0110  
TELEPHONE: (800) 837-9711 (262) 784-7100  
FAX: (262) 784-9392

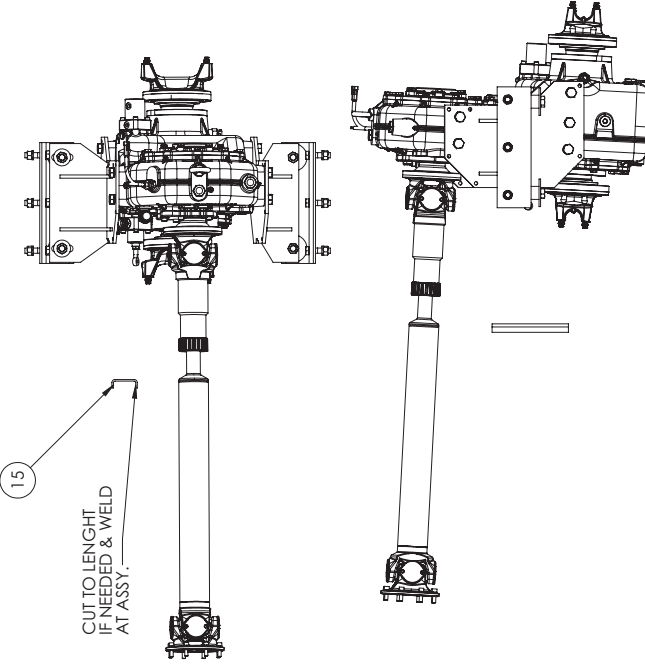
Document Number 9710-03088-0612 13

OMSI TRANSFER CASE RETROFIT KIT Item 0029121

REV #	ECO #	DESCRIPTION	DATE	APPR
P1	0			

**Revision Pending Approval**  
 Created by: Michael Riley, on: 03/25/2016. The previous revision is still valid until this revision is released.

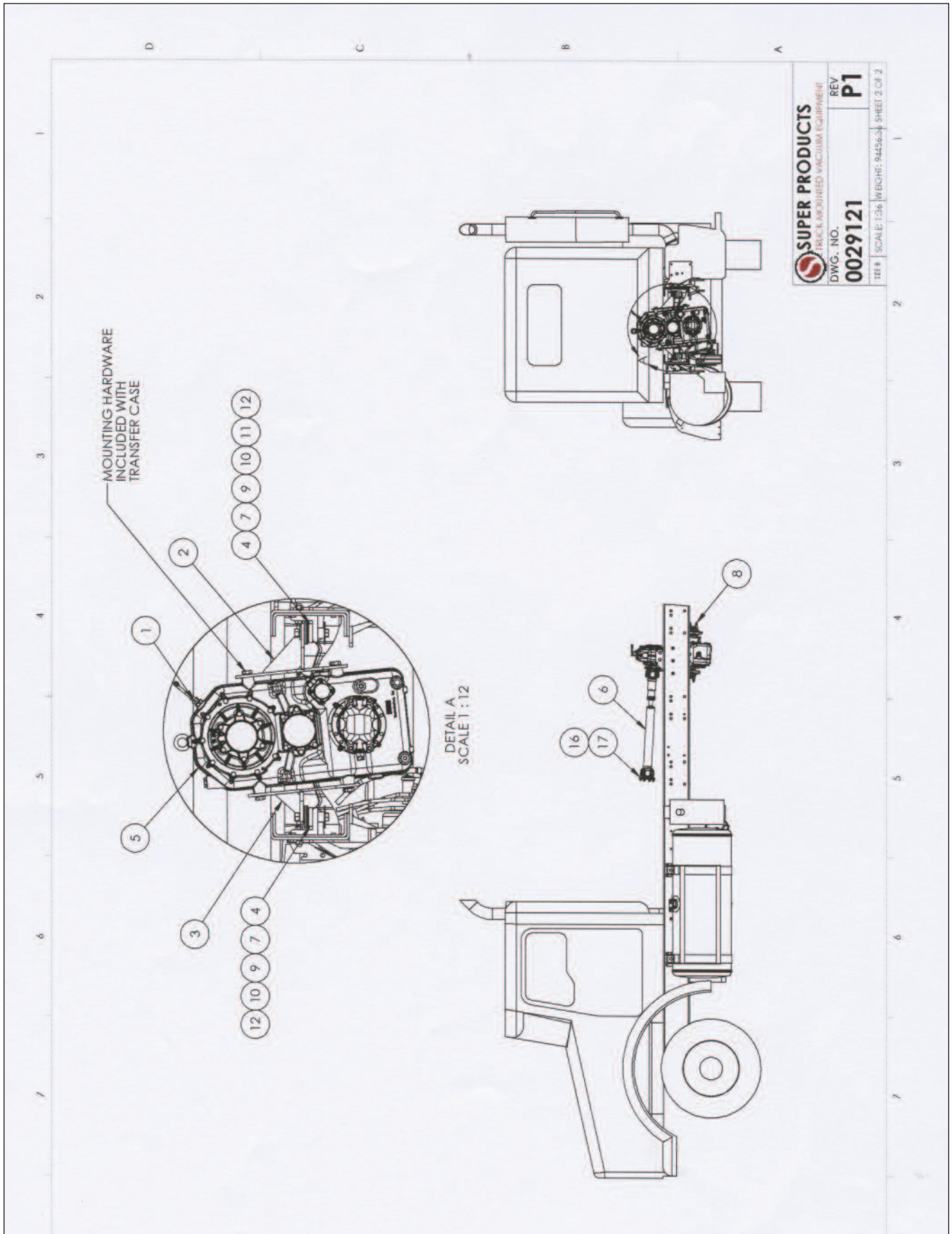
ITEM NO.	PART NUMBER	DESCRIPTION	QTY.
1	9016-00098	ASSY. SENSOR, MAGNETIC, 4.75in	1
2	0000042	WLDMT, OMSI BRACKET - RH	1
3	0000044	WLDMT, OMSI BRACKET - LH	1
4	3000-00988	VIBRATION MOUNT	4
5	7000-00198	TRANSFER CASE OMSI PFT-PVC/300	1
6	7001-00228	DRIVESHAFT, 1610, 44"	1
7	0057-20400	SCREW, HEX HEAD, CAP, 3/4-10 X 4, GR8	4
8	0080-30008	BOLT, BEARING CAP, SP 1250	4
9	0080-30008	NUT, HEX 3/4" TO STEEL, PLTD, GR8	4
10	3000-00989	WASHER VIBRATION MOUNT	1/2
11	0082-30008	WASHER FLAT, USS, 3/4" STEEL, PLTD, GR8	2
12	0083-30008	WASHER SPLIT LOCK, 3/4" STEEL, PLTD, GR8	4
13	0024458	ROD END, 0.50 UNF OMSI	1
14	0044-00005	NUT, JAM, HEX, 1/2" UNF, STEEL, PLTD	1
15	0000027	SUPPORT, CABLE AXLE ENGAGE	1
16	0454-00003	WASHER LOCK, HI-COLLAR, 3/8" GR8	8
17	0170-00125	SCREW, CAP, 0.38-16 SOC	8



- NOTES:
- 1) TRANSFER CASE TO BE FILLED TO CENTER OF SIGHT EYE WITH CHEVRON CLARITY 150.
  - 2) TRANSFER CASE BRACKETS MOUNT ON EXISTING BRACKET ON CHASSIS
  - 3) DRIVESHAFTS MY NEED TO BE REWORKED.

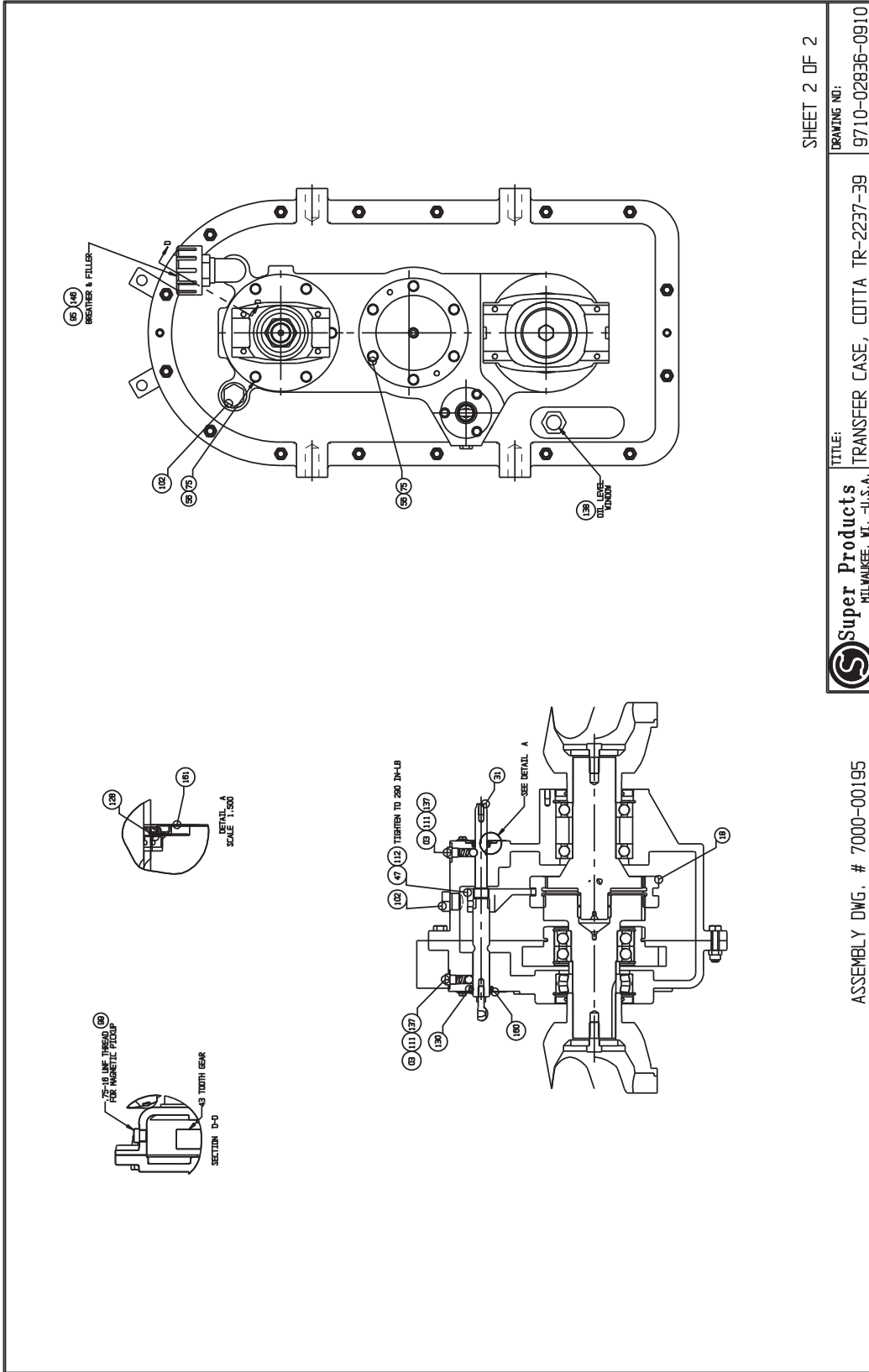
NAME	DATE	
DRAWN BY	ENC APPR.	
MFG APPR.	TITLE:	188 TO OMSI TRANSFER CASE RETROFIT KIT
MATERIAL:	INLERS OTHERWISE SPECIFIED:	DWG. NO. <b>0029121</b>
DIMENSIONS ARE IN INCHES		REV <b>P1</b>
TOLERANCES ARE:		SIZE B1 SCALE: 1:12   WEIGHT: 94456-36 SHEET 1 OF 2
X.XXX ± 0.000		
X.XX ± 0.00		
X.X ± 0.0		
ANGULAR: MACH 1° BND ± 2°		
PERMISSION OF SUPER PRODUCTS IS PROHIBITED. TOLERANCING PER ASME Y14.5		

# MOUNT Item 0029121









SHEET 2 OF 2

DRAWING NO:

9710-02836-0910

TITLE:

TRANSFER CASE, COTTA TR-2237-39



ASSEMBLY DWG. # 7000-00195

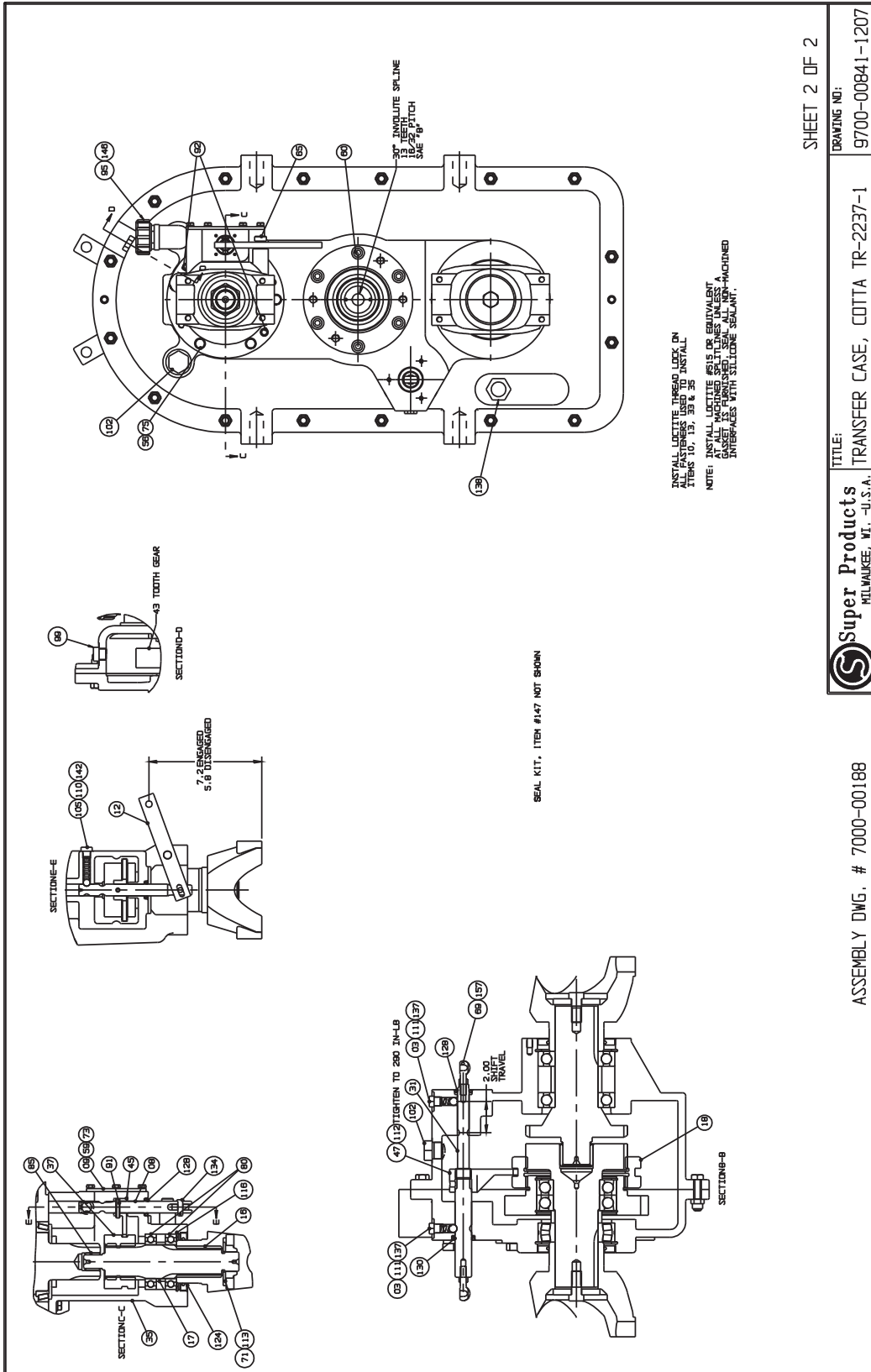
**Transfer Case, Cotta TR-2237-39  
(7000-00195)**

Item	Part No	Qty	Description
3	7300-02696	2	Spring
6	7300-01823	2	Key, .75 X .50 X 1.200
7	7300-02697	2	Plate Lifting
10	7300-02780	1	Endcover
11	7300-02781	1	Gear 40t
13	7300-02699	1	Plate, Cover
15	7300-02700	2	Plate Clamp
18	7300-02703	1	Clutch
22	7300-02704	1	Cover
23	7300-02705	1	Case
24	7300-02706	1	Shaft
25	7300-02707	1	Shaft
26	7300-02708	1	Gear, 43t
27	7300-02709	1	Shaft
28	7300-02710	1	Spacer
29	7300-02711	1	Gear, 43t
30	7300-02782	1	Shaft
31	7300-02713	1	Shiftrd
33	7300-02714	1	Endcover
36	7300-02716	1	Spacer
47	7300-02718	1	Fork
48	7300-02783	1	Seal Hsg
49	7300-02784	1	Spacer
55	0056-00150	2	Screw Cap 0.63-11x 1.50 Hx Gr5
56	0052-00125	16	Screw Cap 0.38-16x 1.25 Hx Gr5
57	0051-00063	4	Screw Cap 0.31-18x 0.63 Hx Gr5
58	0054-00200	14	Screw Cap 0.50-13x 2.00 Hx Gr5
62	0054-00250	2	Screw Cap 0.50-13x 2.50 Hx Gr5
69	0043-00003	1	Nut,hex Jam .38-16 Nc
70	7300-01856	16	Nut, Hex Flexloc 0.5-13
71	7300-01857	1	Nut, Hex Jam 1.25-12
74	0083-00002	4	Washer Lock 0.31 Pltd
75	0083-00003	16	Washer Lock 0.38 Pltd
79	7300-01774	2	Cone, Bearing
81	7300-02720	1	Brg- Spher
82	7300-02721	2	Needle Braring Torr
83	7300-02722	2	Brg-ball
84	7300-01777	2	Cup, Bearing
86	7300-02723	2	Brg-cone
87	7300-02724	2	Brg-cup
88	7300-02725	2	Brg-ball
92	7300-01782	2	Pin, Roll 0.5 X 1.25
95	7300-01784	1	Elbow, 90 Deg. 1 Npt Street
96	7300-02785	1	Plug-3/8 Stl.
98	7300-02726	4	Plug-1/8 Stl.
99	7300-01863	1	Plug-3/4-16 O-ring
102	7300-02786	4	Plug-1-1/16-12 O-ring
107	7300-01788	1	Plug, #12 O-ring Magnetic (m)
111	7300-01790	2	Ball, Steel 0.50 Dia.



**SUPER PRODUCTS LLC. P.O. BOX 510110 NEW BERLIN, WI 53151-0110**  
**TELEPHONE: (800) 837-9711 (262) 784-7100 FAX: (262) 784-9561**

Document No. 9710-02836-0910 Page 1 of 2



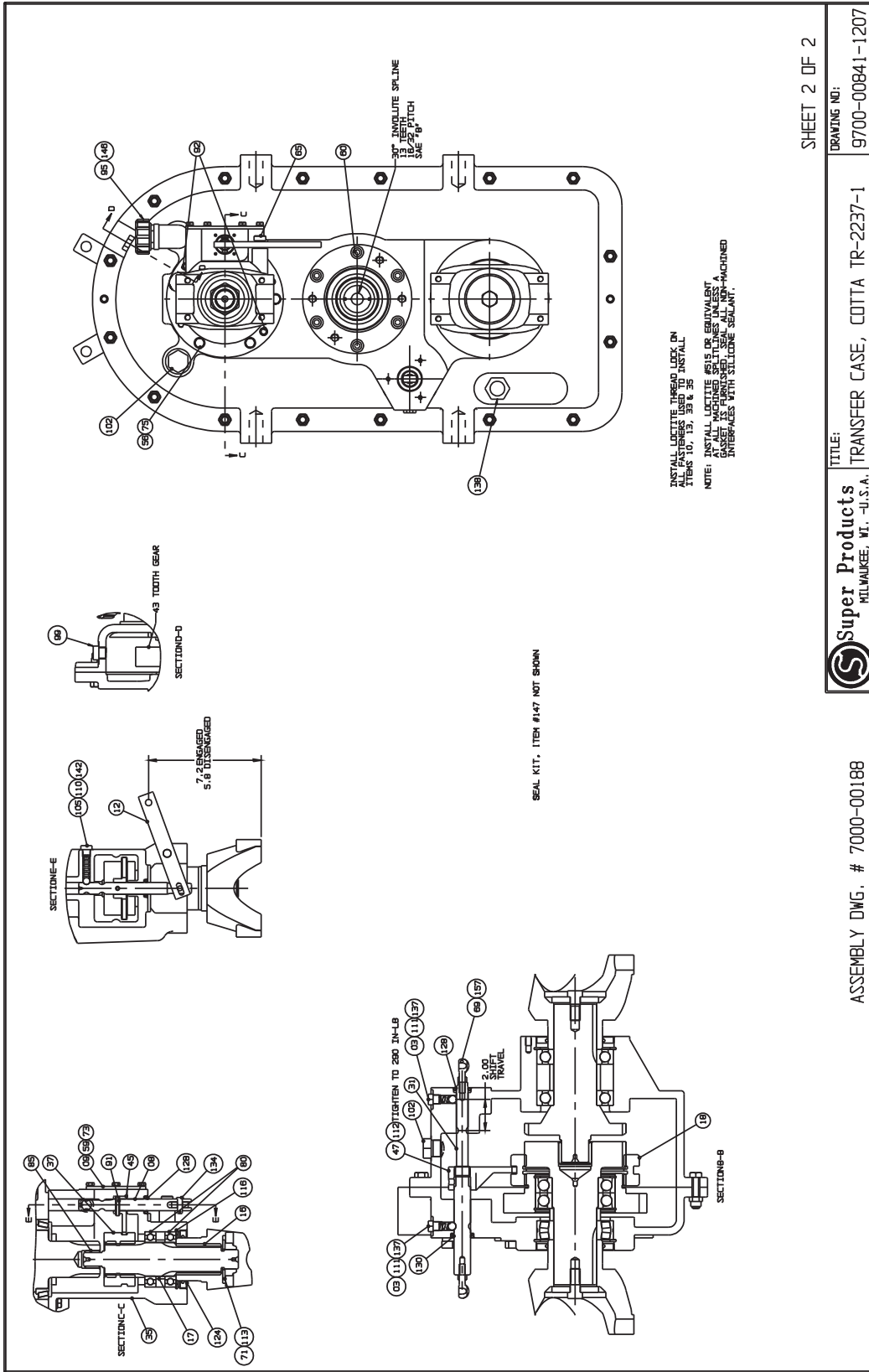
SHEET 2 OF 2

DRAWING NO: 9700-00841-1207

TITLE: TRANSFER CASE, COTTA TR-2237-1



ASSEMBLY DWG. # 7000-00188



**Transfer Case, Cotta TR-2237-1  
(7000-00188)**

Item	Part No	Qty	Description
3	7300-02696	2	Spring
6	7300-01823	2	Key, 0.75 x 0.5
7	7300-02697	2	Plate, Lifting
8	7300-01830	1	Shift Rod
9	7300-01831	1	Cover - LJ
10	7300-02698	1	Adapter, Housing
11	7300-01843	1	Gear, 40T
12	7300-02059	1	Lever
13	7300-02699	1	Cover Plate
14	7300-01765	1	Adapter, Spline
15	7300-02700	2	Plate, Clamp
16	7300-02701	1	Shaft
17	7300-02702	1	Spacer
18	7300-02703	1	Clutch
22	7300-02704	1	Cover
23	7300-02705	1	Case
24	7300-02706	1	Shaft
25	7300-02707	1	Shaft
26	7300-02708	1	Gear, 43T
27	7300-02709	1	Shaft
28	7300-02710	1	Spacer
29	7300-02711	1	Gear, 43T
30	7300-02712	1	Shaft
31	7300-02713	1	Shiftrd
33	7300-02714	1	Endcover
35	7300-02715	1	Case, Disconnect
36	7300-02716	1	Spacer
37	7300-01832	1	Clutch
45	7300-02717	1	Upper Shift Fork
47	7300-02718	1	Fork
55	0056-00150	2	Screw, Hex Hd Cap 0.62-11 x 1.5 Gr 5
56	0052-00125	10	Screw, Hex Hd Cap 0.38-16 x 1.25 Gr 5
57	0051-00063	4	Screw, Hex Hd Cap 0.31-18 x 0.63 Gr 5
58	0054-00200	14	Screw, Hex Hd Cap 0.5-13 x 2 Gr 5
59	0050-00063	6	Screw, Hex Hd Cap 0.25-20 x 0.63 Gr 5
60	0170-00125	6	Screw, Soc Hd Cap 0.38-16 x 1.25
62	0054-00250	2	Screw, Hex Hd Cap 0.5-13 x 2.5 Gr 5
65	7300-01854	1	Screw, Shld Soc Hd Cap 0.5-13 x 0.5 Nylok
69	0043-00003	1	Nut, Hex Jam 0.38-16
70	7300-01856	16	Nut, Hex Flexloc 0.5-13
71	7300-01857	1	Nut, Hex Jam Elastic Stop 1.25-12
73	0083-00001	6	Washer, Lock 0.25
74	0083-00002	4	Washer, Lock 0.31
75	0083-00003	10	Washer, Lock 0.38
79	7300-01774	2	Bearing, Cone
80	7300-02719	2	Bearing, Ball
81	7300-02720	1	Bearing, Spherical
82	7300-02721	2	Bearing, Needle
83	7300-02722	2	Bearing, Ball
84	7300-01777	2	Bearing, Cup
85	7300-01779	1	Bearing, Needle
86	7300-02723	2	Bearing, Cone



SUPER PRODUCTS CORPORATION P.O. BOX 27225 MILWAUKEE, WI 53227  
TELEPHONE: (800) 837-9711 (262) 784-7100 FAX: (262) 784-9561

Document No. 9700-00841-1207 Page 1 of 2

**Transfer Case, Cotta TR-2237-1  
(7000-00188)**

Item	Part No	Qty	Description
87	7300-02724	2	Bearing, Cup
88	7300-02725	2	Bearing, Ball
91	7300-01781	1	Rollpin 0.25 x 1.25
92	7300-01782	4	Rollpin 0.5 x 1.25
95	7300-01784	1	Elbow, 90° 1 NPT Street
98	7300-02726	3	Plug, 0.13 Csnk Hex Hd Pipe
99	7300-01863	1	Plug, 0.75-16 O-Ring
102	7300-01786	4	Plug, 1.06-12 O-Ring
105	7300-01787	1	Plug, 0.5-20 O-Ring
107	7300-01788	1	Plug, 1.06-12 Mag
110	7300-01789	1	Ball, Steel 0.44
111	7300-01790	2	Ball, Steel 0.5
112	7300-01791	1	Setscrew, 0.38-16 x 0.5 Hex Cup
113	0078-00012	1	Washer, Flat 1.25 SAE
114	7300-01793	1	Ring, Snap
115	7300-02727	1	Ring, Snap
116	7300-02728	1	Ring, Snap
118	7300-02729	4	Ring, Snap
119	7300-01794	1	Ring, Snap
124	7300-02730	1	Seal
125	7300-02731	2	Seal
128	7300-01800	2	Seal
130	7300-02732	1	Seal
133	7300-01804	1	Shim Set
134	7300-01805	1	Pin, Yoke
137	7300-01810	3	Plug, 0.56-18 O-Ring
138	7300-01807	1	Window, Oil Level
139	7300-01808	1	Tag, Oil Empty
140	7300-01809	1	Plug, Plastic
142	7300-01813	1	Spring
143	7300-01806	1	Nameplate
144	7001-00140	1	Yoke, End 1610 Series (Half Round)
	7001-00151	1	Yoke, End 1610 Series (Full Round)
145	7001-00148	2	Yoke, End 1810 Series (Half Round)
	7300-01811	2	Yoke, End 1810 Series (Full Round)
146	7300-01802	1	Breather, 1" NPT
147	7300-02761	1	Seal Kit
157	7300-02733	1	Rod End 0.38-16
158	7300-01803	1	Shim Set



SUPER PRODUCTS CORPORATION P.O. BOX 27225 MILWAUKEE, WI 53227  
TELEPHONE: (800) 837-9711 (262) 784-7100 FAX: (262) 784-9561

Document No. 9700-00841-1207 Page 2 of 2

## WHEN ORDERING PARTS...

### **...always have the unit serial number of your truck available**

The information below indicates where you can find your Super Products serial number on your truck.

#### SUPERSUCKER® 1992 – CURRENT

Bottom front of forward most LH clean-out door frame.  
PRE-1992: Below main control panel on support tubing.

#### CAMEL® 1983 – CURRENT

LH side of the power frame on horizontal tube towards front.  
PRE-1983: LH side of power frame on front face of vertical angle.  
Camel 1200 and Camel Maxxx: LH side sub frame forward of body.

#### MUD DOG® All YEARS

Forward LH edge of water tray.

All serial numbers are either eight or nine digits long, depending on the unit type. The serial number denotes several characteristics as indicated on the example.

S / N:	<u>02</u>	<u>01</u>	<u>1537</u>
	Year of	Model	Unit Number
	Production	Produced	Number

S / N: 02011537 is a Model 5227 Supersucker built in 2002 and is unit 1537

The third and fourth (and sometimes the fifth) digits on the unit serial number indicate which model is produced and which vacuum pump is used

*Photos showing locations of serial number on following page.*

# LOCATION OF SERIAL NUMBERS



Locating Serial Number on Super Products  
Mud Dog - 2001 to Current



Nine Digit Serial Number Stamped Into Frame









800.837.9711 • [superproductsllc.com](http://superproductsllc.com)

Super Products LLC • 17000 W. Cleveland Ave. • New Berlin, WI 53151 USA