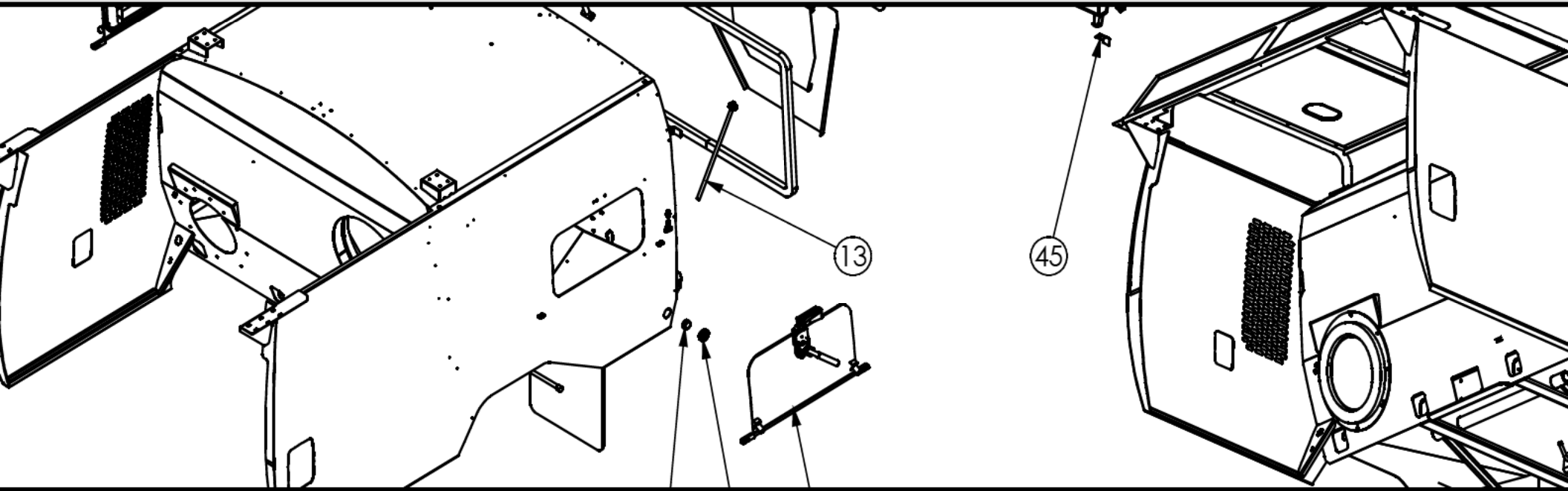


Schwarze Industries, Inc.

A7 TORNADO



Parts Manual



revised 05/19

 MEMBER OF THE
ALAMO GROUP
ALWAYS ON THE CUTTING EDGE™

© Schwarze Industries

Table of Contents

In This Manual

1 Instrumentation	5	203G49 - HOPPER DROP DOWN SCREEN, MS	39
203459 - GAUGE, HOUR METER	6	204L38 - AUTO DROP DOWN SCREEN MOUNT	40
204L17 - ELECTRICAL	7	204L37 - AUTO DROP DOWN SCREEN ARM	41
65660 - CONTROL BOX	8	204S02 - EXT HOPPER SWITCH LH	42
66037 - CONSOLE	9	204S03 - EXT HOPPER SWITCH RH	43
2 Debris Pickup	10	204U73 - HOPPER, CUMMINS	44
204U71 - STANDARD HEAD WITH REM. TUBES MOUNT, CUMMINS	11	204L20 - HOPPER DOOR LATCH CYLINDER	47
204P35 - STANDARD HEAD WITH REM. TUBES	12	204R39 - DUMP DOOR CYLINDER	48
203J10 - BLAST ORIFICE RUBBER	14	204Q77 - BRAKE LIGHT REAR CENTER	49
204H52 - SWEEPING HEAD DELUGE	15	204M94 - HOPPER INSPECTION DOOR, ROAD SIDE	50
300279 - REMOVABLE PRESSURE TRANSITION	16	204M95 - HOPPER INSPECTION DOOR, CURB SIDE	51
204T20 - SWEEPING HEAD WITH 3-STAGE PUMP MOUNT	17	204U79 - HOPPER, RDD, SS	52
203Q01 - STANDARD HEAD WITH ADJ RUBBER OR	18	204H25 - AUTO DROP DOWN SCREEN MOUNT	55
204S00 - HEAD, SIDE BLAST	20	204H24 - AUTO DROP DOWN SCREEN ARM	56
204R90 - HEAD, SIDE BLAST, XTRA SUCTION NOZZLE	22	204U75 - HOPPER, CUMMINS SS	57
204P45 - HEAD STANDARD WITH REM. TUBES	24	204L97 - HOPPER, SS	60
204U89 - HAND HOSE EXTENSION	25	204L90 - HOPPER, MS	62
204R52 - HAND HOSE EXTENSION RACK 4X4	26	203B77 - HOPPER DELUGE	64
204R55 - HAND HOSE EXTENSION RACK 3X4	27	204G28 - HOPPER DELUGE 4 NOZZLES	66
204N15 - HAND HOSE EXTENSION RACK	28	203C36 - HOPPER DRAIN KIT	67
204K65 - HAND HOSE HD ELEC BOOM	29	204K28 - DUAL DRAIN, SS	68
60024 - AHH NOZ & STOB	30	203640 - SOUND SUPPRESSION	69
204L67 - REMOTE THROTTLE	31	203681 - HOPPER SPRAY BAR, 4 NOZZLES	70
204K56 - HAND HOSE STD ELEC BOOM	32	203939 - SPRAY BAR HOPPER 7 NOZZLES	71
203O66 - HAND HOSE SPRING BOOM	33	204H83 - HOPPER SCREEN SHAKER	72
204K35 - HAND HOSE WATER WITH HOPPER SPRAY	34	4 Broom(s)	73
204K97 - HAND HOSE WATER W/O HOPPER SPRAY	35	204K68 - GUTTER BROOM, AUTOCAR	74
204H53 - HAND HOSE EXTENSION RACK SINGLE	36	204K03 - GUTTER BROOM, RH KIT	77
3 Hopper	37	204K02 - GUTTER BROOM, LH KIT	81
204L99 - HOPPER DROP DOWN SCREEN, SS	38	204K69 - GUTTER BROOM, RH AUTOCAR	85
		203V40 - GB AIR DOWN PRESSURE	90
		203M89 - GUTTER BROOM GEO, RH	92
		203M91 - GUTTER BROOM GEO, DUAL	93
		203M90 - GUTTER BROOM GEO, LH	94

Table of Contents

5 Body	95	203G90- WATERFILL	137
204R57 - FUEL SYSTEM INDEPENDENT	96	203H33 - WATER TANK VENT	138
204Q37 - DEF TANK MOUNT	97	204P63 - LOAD WEIGHT INDICATOR	139
523835 - RUNNING BOARD CAB LH	98	204L26 - WATER TANK SHIELD	140
523834 - RUNNING BOARD CAB RH	99	204M53 - LOAD WEIGHT INDICATOR TIER4	141
204A37 - BAR MAGNET MOUNT 90" IH	100	204T22 - BARLIGHT 56" CAB	142
204D68 - SELF DUMP MAGNET, IH	101	204B51 - STROBE, CONV CAB	143
204L62 - SELF DUMP MAGNET JIPCO M2	103	203Y95 - STROBE CAB	144
204H16 - MAGNET BAR 90" MOUNT M2	104	204N55 - BUMPER REAR	145
204H15 - MAGNET BAR 90"	105	203G42 - SPRAY TIP	146
204A38 - BAR MAGNET MOUNT 90"	106	204L19 - FRAME	147
203X78 - SELF DUMP MAGNET M2	107	203U23 - LED BARLIGHT, IH	148
204L15- BAR MAGNET 90" MOUNT	108	204A25 - BAR MAGNET MOUNT, COE	149
203Z84 - BAR MAGNET 90"	109	204U48 - HP WATER SW, REAR TANK	150
203465 - INDICATOR, AF REST, CHASSIS	110	204U00 - TRAY, DUAL WP	152
204P03 - SELF DUMP MAGNET, PB/KW	111	204T98 - TRAY, DUAL WP HI-PRESS	153
204T46 - ENGINE SCREENS TIER 4	112	204Q53 - HP WTR W/TB	154
204T47 - ENGINE SCREENS TIER 3	113	204Q59 - HOSE REEL M2	156
204J76 - BARLITE, PBILT	114	204Q58 - HOSE REEL 350 TK	157
204L36 - STROBE FRONT SHROUD	115	204Q54 - HP WTR W/TANK	158
204L46 - STROBE REAR QUAD	116	204Q56 - HOSE REEL M2	160
204B10 - MINI BARLIGHT	117	204Q61 - HP WTR W/AIR TK	161
203Z74 - STROBE REAR DUAL	118	204Q55 - HP WTR W/TT	163
203U21 - BARLIGHT REAR	119	203Q24 - SIGHT GAUGE 350GAL WATER TANK	165
204C21 - ARROWBOARD, SPLIT 2 PCS	120	204Q64 - HP WATER SW	166
203685 - ARROWBOARD, TRAFIC GUIDE	121	204Q63 - REAR WATER TANK	168
203Z75 - STROBE, COE	122	203680 - FRONT SPRAY BAR	169
204Q05 - FRONT WALKDECK	123	203674 - SIGHT GAUG, WATER TANK, SIDE	170
204N35 - TRAY, DUAL WP	124	miscellaneous	171
204N35 - TRAY, DUAL WP	125	6 Power Module	173
60851 - 4-STAGE MANIFOLD	128	204U58 - ENGINE 3.8L CUMMINS	174
522948 - WATER TANK STANDARD	129	204U63 - POWER MODULE, CUMMINS	176
524800 - STRAINER 1-1/4"	131	204L04 - HYDRAULICS STANDARD	179
525019 - VENT SENSOR	132	204L05 - MANIFOLD, FRONT	182
204L28 - 350GAL WATER TANK	133	60090 - MANIFOLD DO2 W/G/B CIR	183
203G34 - WATER RES CRADLE ASSY, 350, M2	135		

Table of Contents

204L06 - MANIFOLD REAR	184	SK-2352 HOPPER SHAKER.....	224
60089 - MANIFOLD, DO2 W/G/B CIR.	185	66677 HARNESS, REM THROTTLE/HYD BOOM	225
204J94 - HYDRAULIC PUMP	186	66689 HARNESS, REM THROTTLE/E BOOM	226
204T16 - POWER MODULE T3 JD115.....	187	66646 HARNESS, EXTENSION, CAN MODULE	227
204R35 - POWER MODULE JD134	189	65679 HARNESS, WATER TRAY	228
204J66 - ENGINE JD140.....	191		
204R34 - POWER MODULE JD115	192		
204K79 - ENGINE JD115	194		
203J02 - REMOTE GREASE FITTING FAN	195		
204J95 - HYDRAULIC TANK.....	196		
204M02 - POWER MODULE JD140 TIER4	197		
204U72 - LIMB GUARD, CUMMINS	199		
204K91 - GB POWER TILT LH	200		
29707 - GB TILT VALVE	201		
204L14 - POWER MODULE JD115 TIER 4	202		
204T80 - ENGINE BAY THROTTLE SWITCH.....	204		
204K92 - GB POWER TILT RH	205		
7 Schematics.....	206		
SK-2096 - HOUR METER	207		
SK-2439 - ENGINE BAY THROTTLE	208		
65653 / 66037 - Console Wiring	209		
A8 CPU Box Wiring	210		
Wiring.....	211		
CPU Power Wiring.....	212		
#1 Water Tray CPU Box Wiring	213		
#2 Hopper Scissor DC Pump CPU Box Wiring	214		
#3 Hyd Tank Manifold CPU Box Wiring	215		
#4 Console CPU Box Wiring	216		
#5 John Deere Engine CPU Box Wiring	217		
#6 Fused Power Connector CPU Box Wiring	218		
CPU Box, Circular Junction Connector Service Information	219		
CPU Box, Fuse Block Service Information	220		
CPU Box, CPU Connector Service Information.....	221		
CPU Box, Diode & Resistor Cap Service Information	222		
SK-2422 SIDE BLAST HEAD	223		

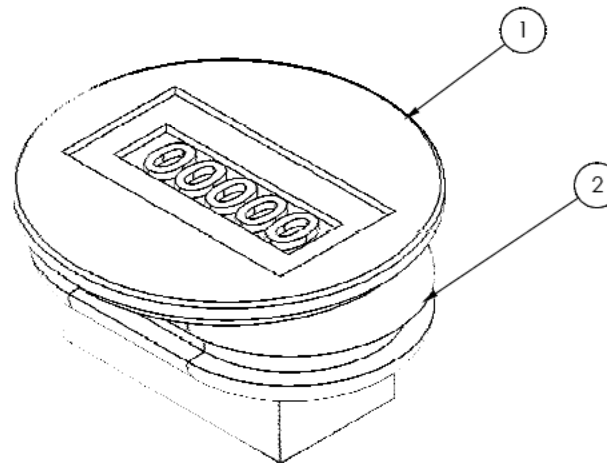
Instrumentation

1

Section 1 - Instrumentation

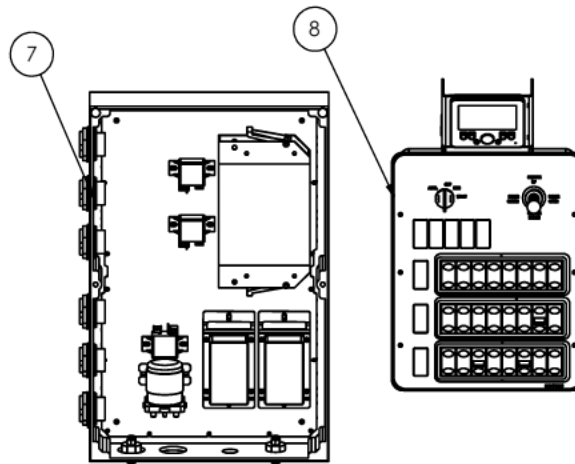
203459 - GAUGE, HOUR METER

ITEM NO.	PART NUMBER	QTY.	DESCRIPTION
1	20998	1	HOUR METER
2	23402	1	GROMMET 1.5" ID X 2.125" OD
ITEMS NOT SHOWN			
ITEM NO.	PART NUMBER	QTY.	DESCRIPTION
3	63651	1	FUSE HOLDER,30A,12GA, IN LINE
4	SK-2096	1	HOUR METER SCHEMATIC



Section 1 - Instrumentation

204L17 - ELECTRICAL



ITEM NO.	PART NUMBER	DESCRIPTION	QTY.	
*	1	65679	HARNESS,WTR TRAY DUAL A-SERIES	1
*	2	65681	HARNESS, HYD, A-SERIES #3	1
*	3	65683	HARNESS, POWER A-SERIES #5	1
*	4	66054	HARNESS, LH MANIFOLD	1
*	5	66053	HARNESS, RH MANIFOLD	1
*	6	65690	HARNESS, BATTERY, A-SERIES	1
	7	65660	CONTROL BOX ASSY, A SERIES	1
	8	66037	CONSOLE, A7 & A9 T4F	1
*	9	65904	HARNESS REAR A7T	1
*	10	65878	HARNESS, HOPPER, A7T	1
*	11	64595	CONNECTOR, 2WAY RECEPTACLE	1
*	12	64610	WEDGELOCK, 2 WAY RECEPTACLE, D	1
*	13	65753	PARKBRAKE INTLOCK SWITCH,FL M2	1
*	14	21346	1/4" X 1/8" NPT BRASS BUSHING	1
*	15	66976	TEE, 3/8 TUBE X 1/4 FNPT	1

* ITEMS NOT SHOWN

Section 1 - Instrumentation

65660 - CONTROL BOX

DRILL 1/8" DRAIN HOLE
IN CORNER OF ITEM 1

DETAIL B

DETAIL A

ITEM 4 HIDDEN FOR CLARITY

APPLY FUSE LABEL ON INSIDE OF
CORRESPONDING FUSE PANEL COVER

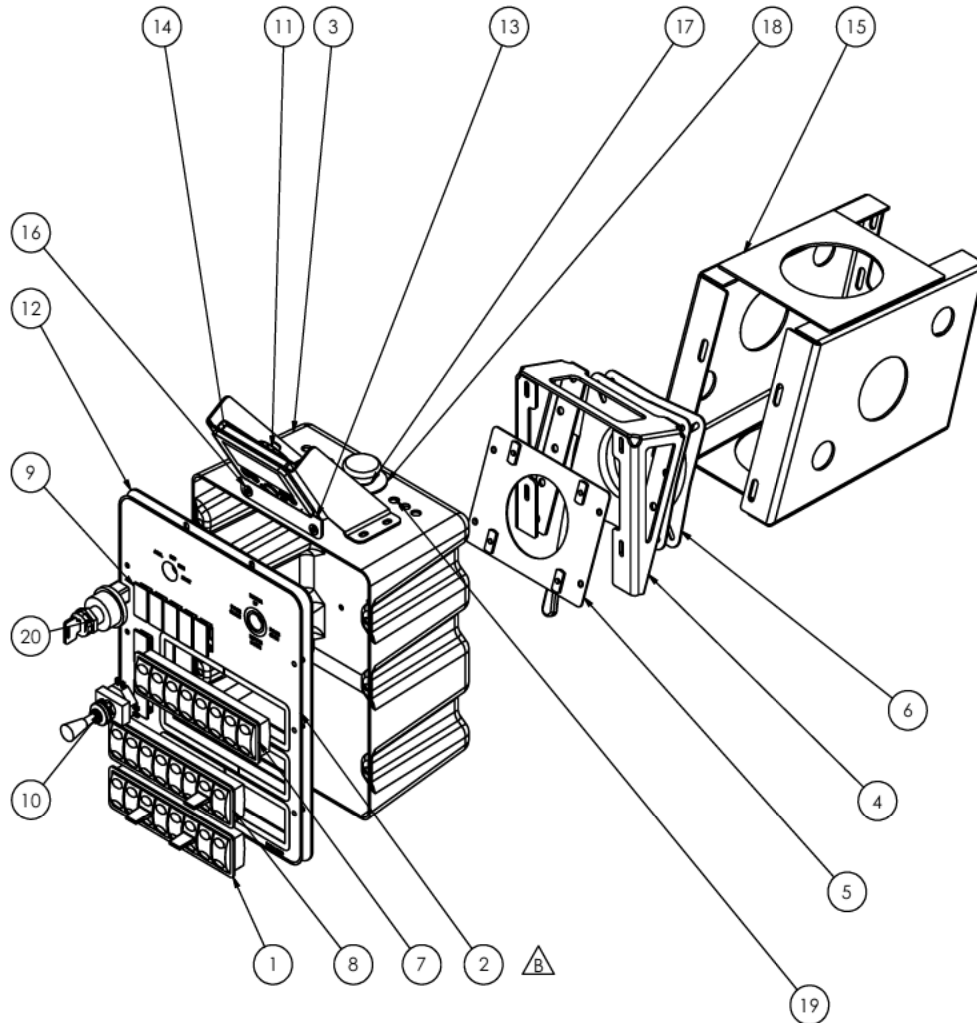
ITEM NO.	PART NUMBER	DESCRIPTION	QTY.
1	64414	NEMA 4 ENCLOSURE (24 X 16 X 6)	1
2	525022	PLATE, BACKING A SERIES CONTR	1
3	64420	IFM DOUBLE CONTROLLER	1
4	23081	SOLENOID, H/V D CONTACTOR, 12VDC	1
5	64534	BATTERY FEEDER STUD, BLK	1
6	64533	BATTERY FEEDER STUD, RED	1
7	26106	RELAY, 75 AMP	3
8	65659	PANEL, FUSE & MICRO RELAY	2
9	5221435	BRACKET, FUSE PANEL MOUNT	4
10	64544	WASHER, PANEL 24 DEUTSCH	6
11	64545	PANEL NUT, SIZE 24 DEUTSCH	6
12	64546	GASKET, SIZE 24 DEUTSCH	6
13	SK-2405	SCHEMATIC, A-SERIES CPU BOX WIRING	1
14	65952	LABEL, FUSE BLOCK A-SERIES	1
15	5223274	BKT, CONT BOX, RELAY	1
16	65768	DRAIN VENT, POLYPROPYLENE	1

FUSE PANEL #1

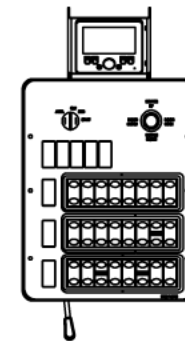
FUSE PANEL #2

Section 1 - Instrumentation

66037 - CONSOLE



ITEM NO.	PART NUMBER	DESCRIPTION	QTY.
1	65648	HMI SWITCH ASSY, 8 BANK A SERI	1
2	65953	CNSL OVERLAY, A7 & A9, T4F	1
3	61307	BASE, CONSOLE, A7000-10	1
4	5219888	A7 CONSOLE STAND, ANGLED	1
5	651042	MOUNT PLATE CONSOLE, M6CO	1
6	61932	12 POSITION LOCKING SEAT SWIVE	1
7	65646	HMI SWITCH ASSY, 8 BANK A SERI	1
8	65647	SWITCH, 8 SWITCH BANK, A SERIE	1
9	62613	PLUG, CONTURA SWITCH HOLE	8
10	21361	JOYSTICK RP005, EAO 44-800.8	1
11	65666	MONITOR, A-SERIES	1
12	5221294-A	PANEL, CONSOLE TOP A8T	1
13	5221294-B	MOUNT, MONITOR ASER	1
14	5221308	MOUNT, CR0452 MONITOR	1
15	525044	CONSOLE STAND WELDMENT	1
16	26634	NUT, 10-24 JACK, 0-3/16 GRIP	2
17	64522	RED PUSH BUTTON E-STOP	1
18	64523	E-STOP SIGN	1
19	64524	MOUNTING ADAPTER FOR E-STOP	1
20	65992	SWITCH, IGNITION 6 PIN DUETSC	1

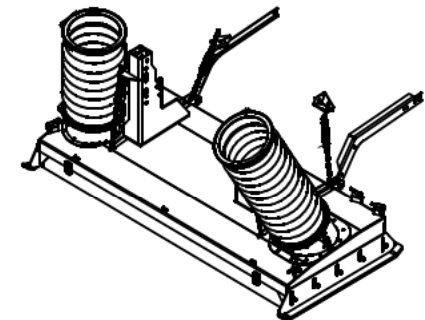
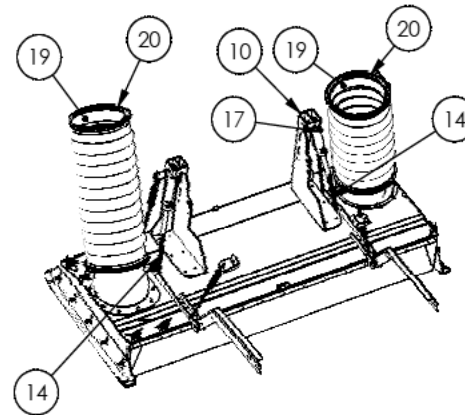
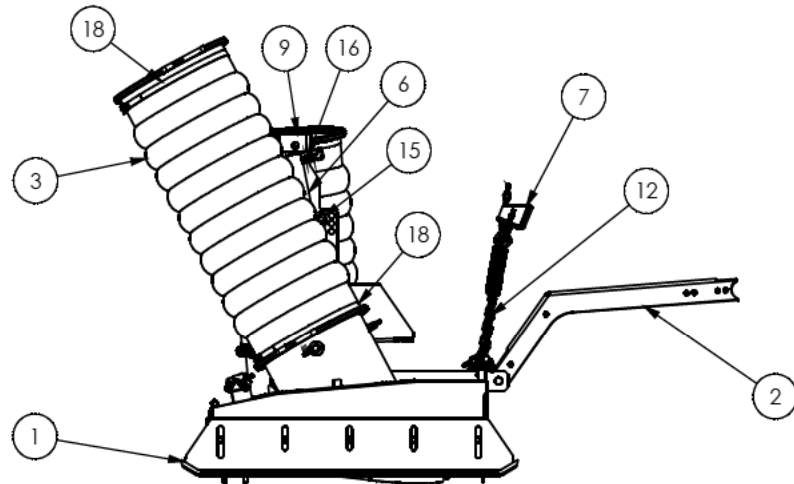
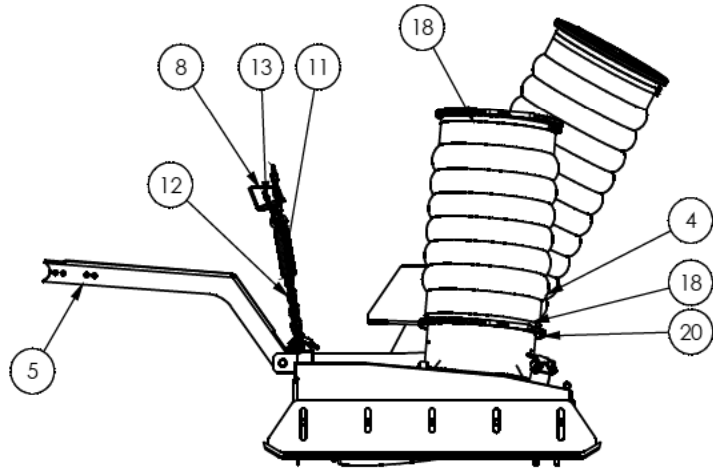


Debris Pickup

2

Section 2 - Debris Pickup

204U71 - STANDARD HEAD WITH REM. TUBES MOUNT, CUMMINS



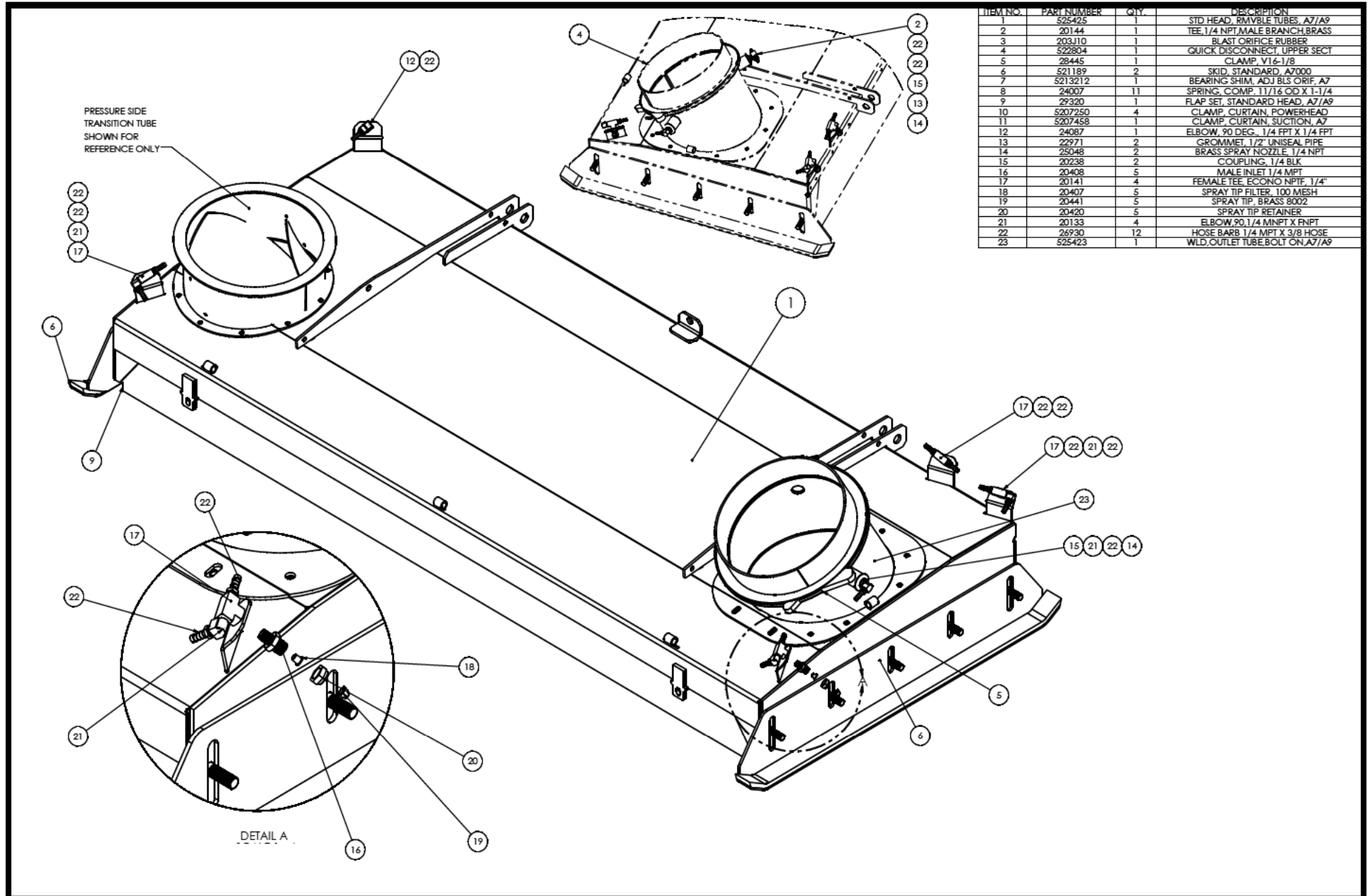
ITEM NO.	PART NUMBER	DESCRIPTION	QTY.
1	204P35	ASM,HEAD,RMVBLE TUBES,A7/A9	1
2	522891	BENT SECTION, RH	1
3	21049	HOSE, 14" DIA. X 38", 3" CUFF	1
4	21048	HOSE, 14" DIA. X 26", 3" CUFF	1
5	522892	BENT SECTION, LH	1
6	20928	HYD CYL, 1.5 X 6	2
7	5204932	LH SPRING BRACKET	1
8	5204931	RH SPRING BRACKET	1
9	524779	HEADSTOP, RH, A-SERIES, STD	1
10	524778	HEADSTOP, LH, A-SERIES, STD	1
11	22940	SPRING, 1/4 X 1-1/2 X 8"	4
12	20815	3/16" CHAIN 26 LINKS	4
13	32098	3/8" X 3 EYE BOLT	4
14	20816	CHAIN, 5/16", 16-1/4" LONG	2
15	65765	ELBOW, 90° 3/8 MORFS X 1/4 NPT	2
16	65632	ADAPTER, 3/8 MORFS X 1/4 NPT	2
17	61042	ELBOW,90° 3/8 MORFS X 3/8 MORFS	2
18	66521	14-3/4" T-BOLT CLAMP	4
19	522804	QUICK DISCONNECT, UPPER SECT	3
20	28445	CLAMP, V16-1/8	3

ITEMS BELOW NOT SHOWN

ITEM NO.	PART NUMBER	DESCRIPTION	QTY.
21	61052	ELBOW, 90 1" MORFS X 1" MORB	1
22	29342	FLAP, STD HEAD UPSTOP	1
23	204L10	KIT, HOSE STANDARD HEAD A7 & A9	1
24	61047	ELBOW,90 1/2 MORFS X 5/8 MORB	2
25	66473	PUMP,DBL CASAPPA 1.03 11 TOOTH	1

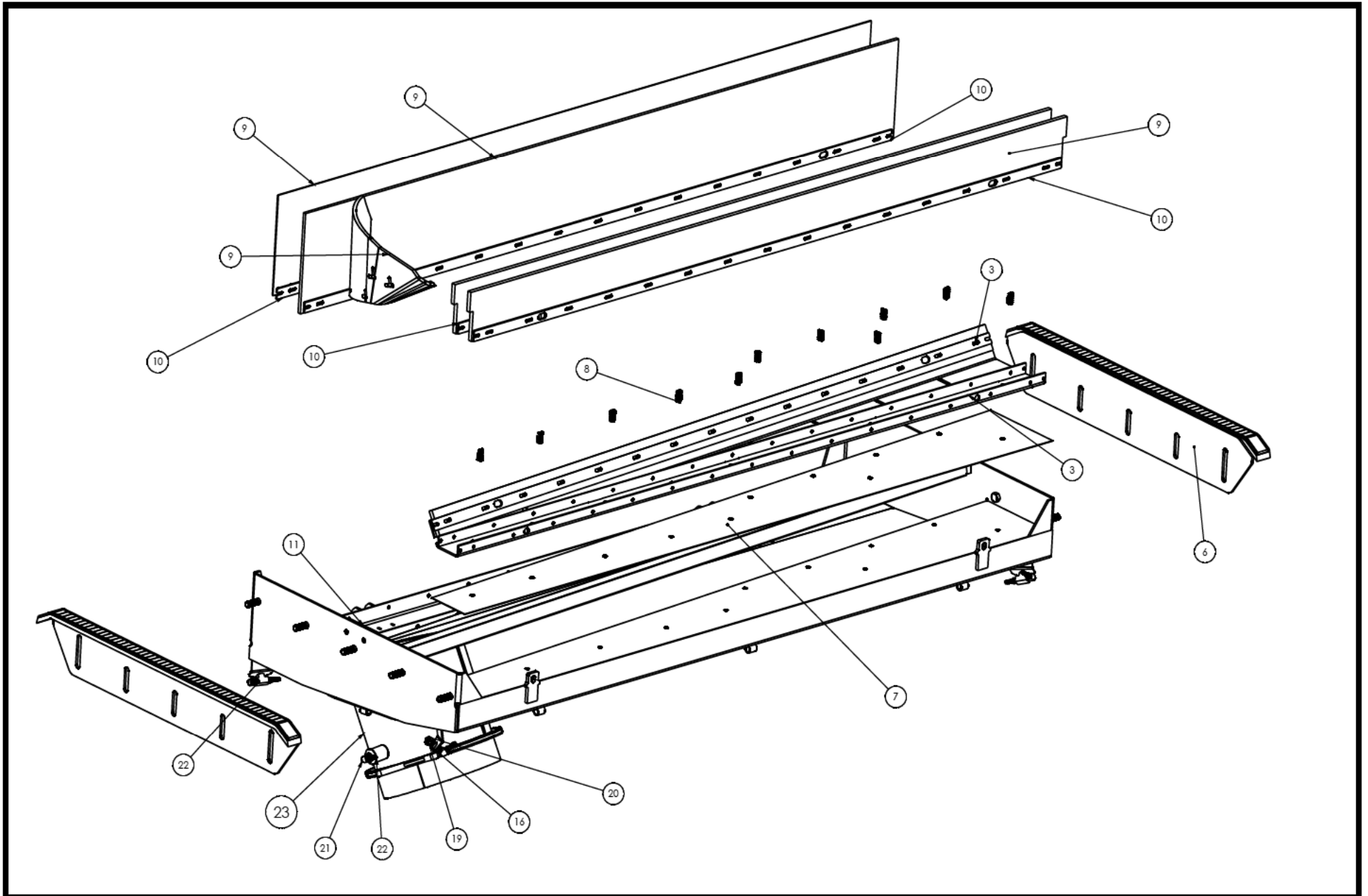
Section 2 - Debris Pickup

204P35 - STANDARD HEAD WITH REM. TUBES



Section 2 - Debris Pickup

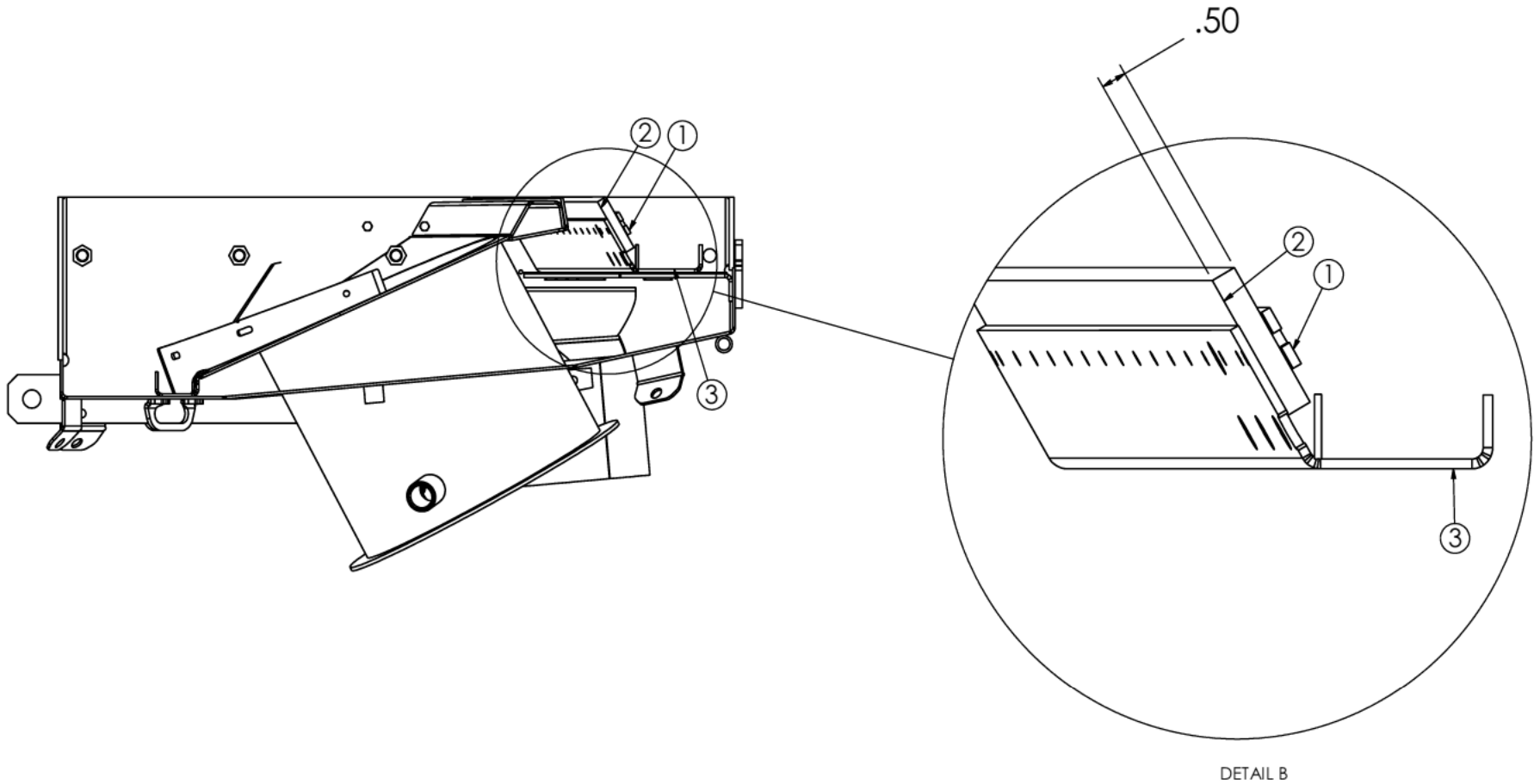
204P35 - STANDARD HEAD WITH REM. TUBES



Section 2 - Debris Pickup

203J10 - BLAST ORIFICE RUBBER

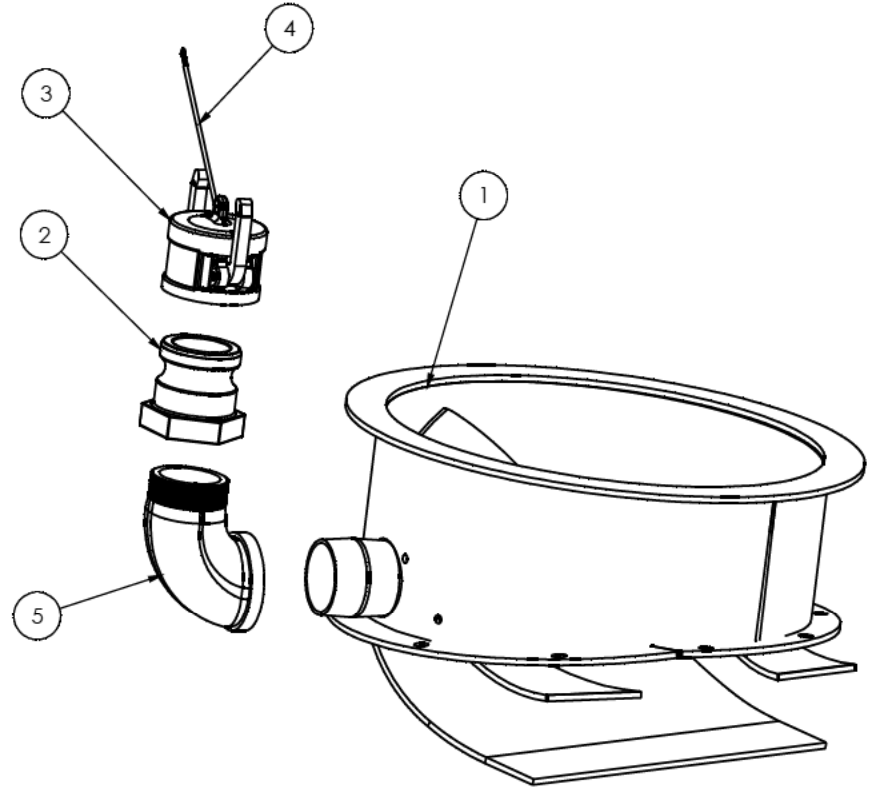
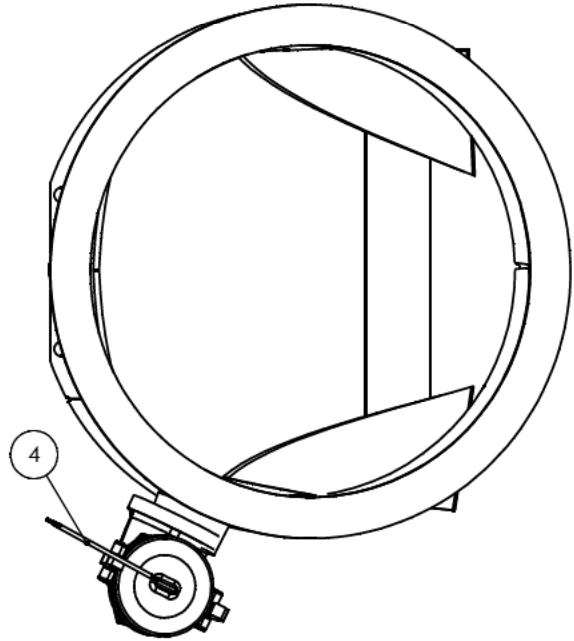
ITEM NO.	PART NUMBER	Default/QTY.	DESCRIPTION
1	5207250	1	CLAMP, CURTAIN, POWERHEAD
2	5215512	1	FLAP, BLAST ORIFICE
3	523064	1	SWEEPING HEAD ADJUSTABLE ORFICE



Section 2 - Debris Pickup

204H52 - SWEEPING HEAD DELUGE

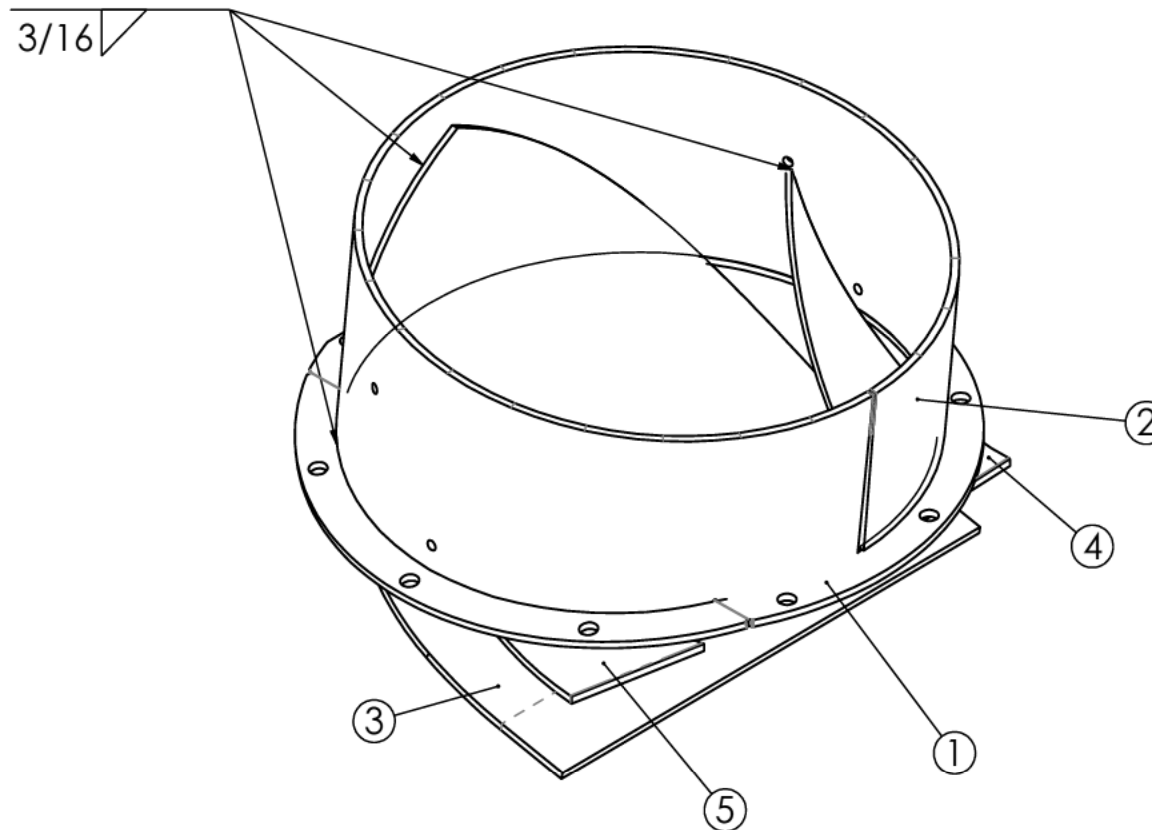
ITEM NO.	PART NUMBER	QTY.	DESCRIPTION
1	300802	1	PRESSURE TRANSITION W/ DELUGE
2	23644	1	CAM, 2.0 MALE LOCK
3	23643	1	DUST CAP, 2" WATER FILL
4	24075	1	LANYARD, 6"
5	62536	1	2" STREET ELL, GALV.



Section 2 - Debris Pickup

300279 - REMOVABLE PRESSURE TRANSITION

ITEM NO.	PART NUMBER	QTY.	DESCRIPTION
1	3001301	1	RING, TRANS, REMOVABLE
2	5207765	1	TRANSITION, PRESSURE
3	5200321	1	DEFLECTOR, AIR, STD SW HD. A7
4	5200322	1	DEFLECTOR, FRONT, AIR, A7
5	5200365	1	DEFLECTOR, REAR, STD. HEAD, A7



Section 2 - Debris Pickup

204T20 - SWEEPING HEAD WITH 3-STAGE PUMP MOUNT

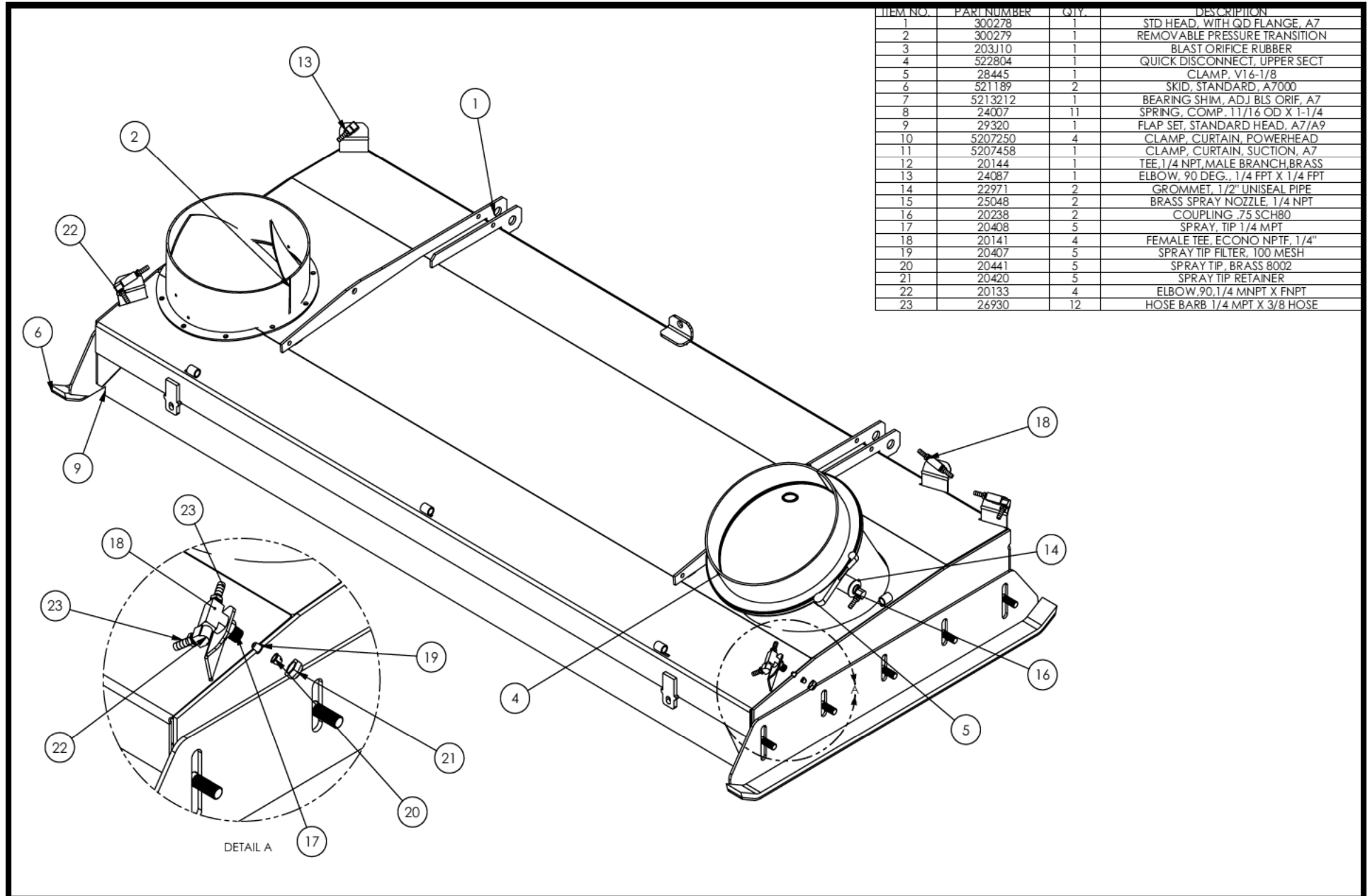
ITEM NO.	PART NUMBER	DESCRIPTION	QTY.
1	203Q01	STANDARD HEAD W/ADJ RUBBER OR	1
2	522891	BENT SECTION, RH	1
3	21049	HOSE, 14" DIA. X 38", 3" CUFF	1
4	21048	HOSE, 14" DIA. X 26", 3" CUFF	1
5	522892	BENT SECTION, LH	1
6	20928	HYD CYL, 1.5 X 6	2
7	5204932	LH SPRING BRACKET	1
8	5204931	RH SPRING BRACKET	1
9	524779	HEADSTOP, RH, A-SERIES, STD	1
10	524778	HEADSTOP, LH, A-SERIES, STD	1
11	22940	SPRING, 1/4 X 1-1/2 X 8"	4
12	66521	14-3/4" T-BOLT CLAMP	3
13	24222	CLAMP, QUICK DISCONNECT	1
14	20815	3/16" CHAIN 26 LINKS	4
15	32098	3/8" X 3 EYE BOLT	4
16	20816	CHAIN, 5/16", 16-1/4" LONG	2
17	65765	ELBOW, 90° 3/8 MORFS X 1/4 NPT	2
18	65632	ADAPTER, 3/8 MORFS X 1/4 NPT	2
19	61042	ELBOW, 90 3/8 FORFS X 3/8 MORFS	2

ITEMS BELOW NOT SHOWN

ITEM NO.	PART NUMBER	DESCRIPTION	QTY.
20	61052	ELBOW, 90 1" MORFS X 1" MORB	1
21	29342	FLAP, STD HEAD UPSTOP	1
22	204L10	KIT, HOSE STANDARD HEAD A7 & A9	1
23	67297	GEAR PUMP, CASAPPA, 3 STAGE	1
24	22040	DO3 VALVE, 4WE6G6X/EG12N9K4	1
25	22958	SINGLE STAGE MANIFOLD W\RELIEF	1
26	61047	ELBOW, 90 1/2 MORFS X 5/8 MORB	2
27	22226	PLUG, 5/8 SAE HEX HEAD	3
28	23981	#4 SAE HEX HEAD PLUG	1
29	24111	PLUG, 1/2" SAE HOLLOW HEX	2

Section 2 - Debris Pickup

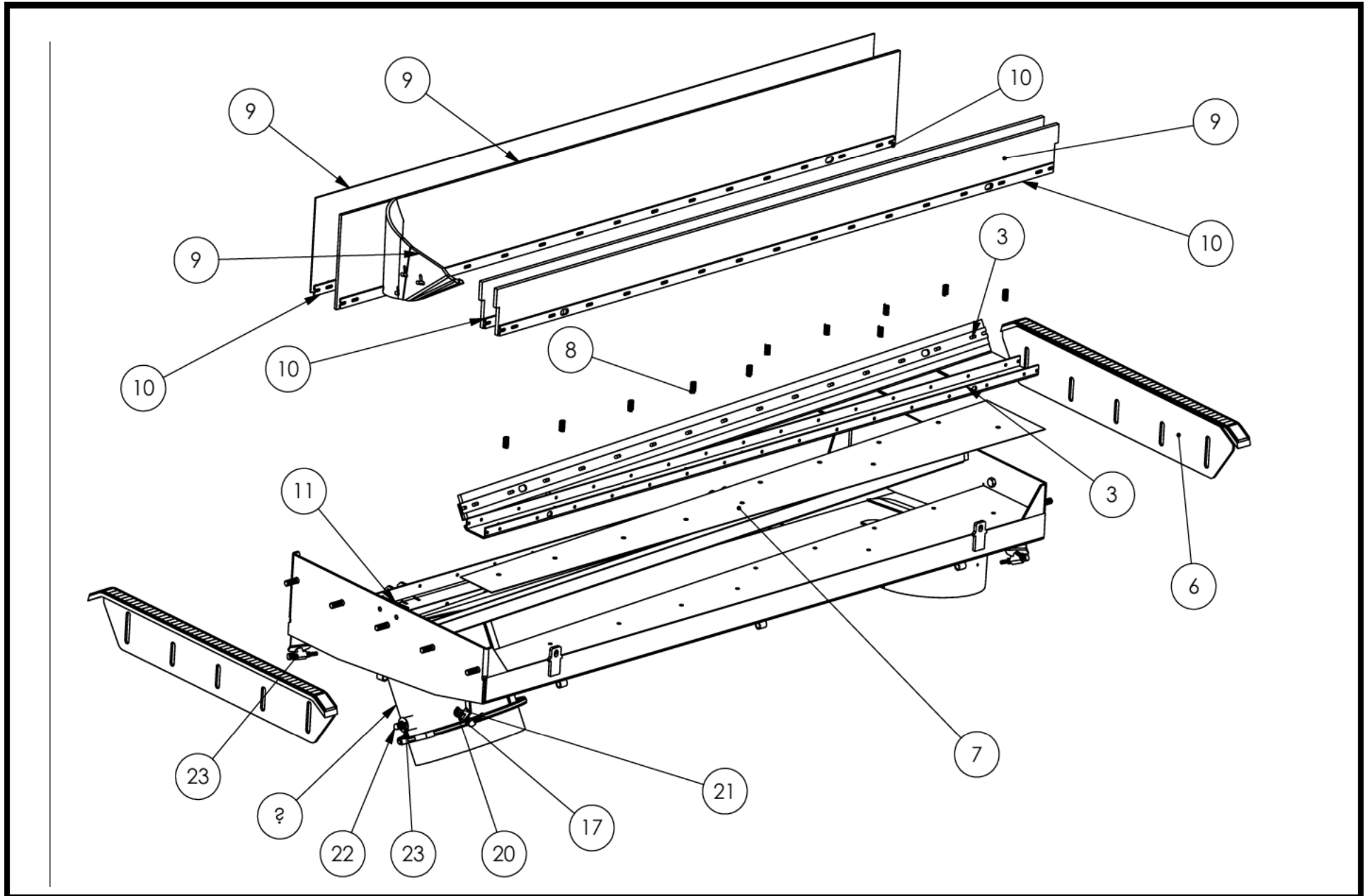
203Q01 - STANDARD HEAD WITH ADJ RUBBER OR



ITEM NO.	PART NUMBER	QTY.	DESCRIPTION
1	300278	1	STD HEAD, WITH QD FLANGE, A7
2	300279	1	REMOVABLE PRESSURE TRANSITION
3	203J10	1	BLAST ORIFICE RUBBER
4	522804	1	QUICK DISCONNECT, UPPER SECT
5	28445	1	CLAMP, V16-1/8
6	521189	2	SKID, STANDARD, A7000
7	5213212	1	BEARING SHIM, ADJ BLS ORIF, A7
8	24007	11	SPRING, COMP, 11/16 OD X 1-1/4
9	29320	1	FLAP SET, STANDARD HEAD, A7/A9
10	5207250	4	CLAMP, CURTAIN, POWERHEAD
11	5207458	1	CLAMP, CURTAIN, SUCTION, A7
12	20144	1	TEE, 1/4 NPT, MALE BRANCH, BRASS
13	24087	1	ELBOW, 90 DEG., 1/4 FPT X 1/4 FPT
14	22971	2	GROMMET, 1/2" UNISEAL PIPE
15	25048	2	BRASS SPRAY NOZZLE, 1/4 NPT
16	20238	2	COUPLING, .75 SCH80
17	20408	5	SPRAY, TIP 1/4 MPT
18	20141	4	FEMALE TEE, ECONO NPTF, 1/4"
19	20407	5	SPRAY TIP FILTER, 100 MESH
20	20441	5	SPRAY TIP, BRASS 8002
21	20420	5	SPRAY TIP RETAINER
22	20133	4	ELBOW, 90, 1/4 MNPT X FNPT
23	26930	12	HOSE BARB 1/4 MPT X 3/8 HOSE

Section 2 - Debris Pickup

203Q01 - STANDARD HEAD WITH ADJ RUBBER OR



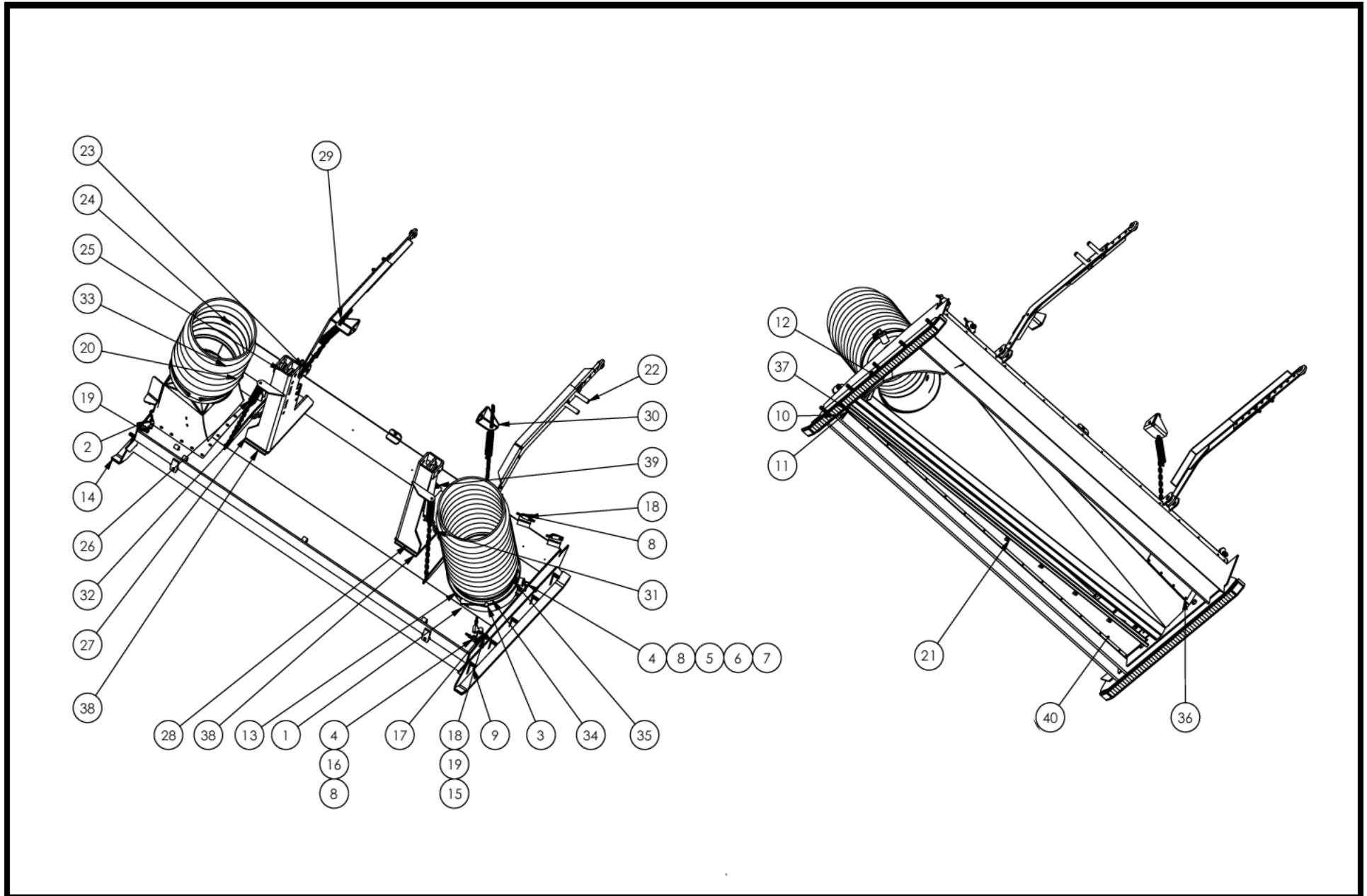
Section 2 - Debris Pickup

204S00 - HEAD, SIDE BLAST

ITEMS NOT SHOWN				ITEM NO.	PART NUMBER	QTY.	DESCRIPTION
41	65698	1	PUMP, DOUBLE CASAPPA 1.03 CC	1	523178	1	HEAD, WELD, BLASTER TRANSITION
42	29986	1	ACTUATOR, 4" K2-G20-12B-BR-04R	2	523179	1	WELD, SIDE BLASTER, BOLT-ON
43	21571	1	VALVE, 1/4" FLOW CONTROL	3	28445	1	CLAMP, V16-1/8
44	203931	1	KIT, HEAD WATER INTAKE SYS	4	20133	5	ELBOW, 90, 1/4 MNPT X FNPT
45	523181	1	WELD, KEDGE	5	20238	2	COUPLING .75 SCH80
46	204L10	1	KIT, HOSE STANDARD HEAD A7&A8	6	22971	2	GROMMET, 1/2" UNISEAL PIPE
				7	25048	2	BRASS SPRAY NOZZLE, 1/4 NPT
				8	26930	11	HOSE BARB 1/4 MPT X 3/8 HOSE
				9	29320	1	FLAP SET, STANDARD HEAD, A7/A9
				10	5207250	4	CLAMP, CURTAIN, POWERHEAD
				11	300076	1	ADJUSTABLE BLAST ORIFICE, A7
				12	5207458	1	CLAMP, CURTAIN, SUCTION, A7
				13	522804	1	QUICK DISCONNECT, UPPER SECT
				14	521189	2	SKID, STANDARD, A7000
				15	20407	5	SPRAY TIP FILTER, 100 MESH
				16	20141	4	FEMALE TEE, ECONO NPTF, 1/4"
				17	20408	5	SPRAY, TIP 1/4 MPT
				18	20420	5	SPRAY TIP RETAINER
				19	20441	5	SPRAY TIP, BRASS 8002
				20	24222	1	CLAMP, QUICK DISCONNECT
				21	24007	11	SPRING, COMP, 11/16 OD X 1-1/4
				22	522735	1	DRAG ARM, RH, ADJUSTABLE
				23	522736	1	DRAG ARM, LH, ADJUSTABLE
				24	24087	1	ELBOW, 90 DEG., 1/4 FPT X 1/4 FPT
				25	20928	2	HYD CYL, 1.5 X 6
				26	22940	4	SPRING, 1/4 X 1-1/2 X 8"
				27	524778	1	HEADSTOP, LH, A-SERIES, STD
				28	524779	1	HEADSTOP, RH, A-SERIES, STD
				29	5204931	1	RH SPRING BRACKET
				30	5204932	1	LH SPRING BRACKET
				31	20816	2.2FT	CHAIN, 5/16", 16-1/4" LONG
				32	20815	5.8FT	3/16" CHAIN 26 LINKS
				33	29594	1	HOSE, 14" X 22"
				34	21049	1	HOSE, 14" DIA. X 38", 3" CUFF
				35	66521	1	14-3/4" T-BOLT CLAMP
				36	5215135	1	PLATE, COVER, ACCESS, BLASTER
				37	5215512	1	FLAP, BLAST ORIFICE
				38	29342	1	FLAP, STD HEAD UPSTOP
				39	65765	4	ELBOW, 90° 3/8 MORFS X 1/4 NPT
				40	5213212	1	BEARING SHIM, ADJ BLS ORIF, A7

Section 2 - Debris Pickup

204S00 - HEAD, SIDE BLAST



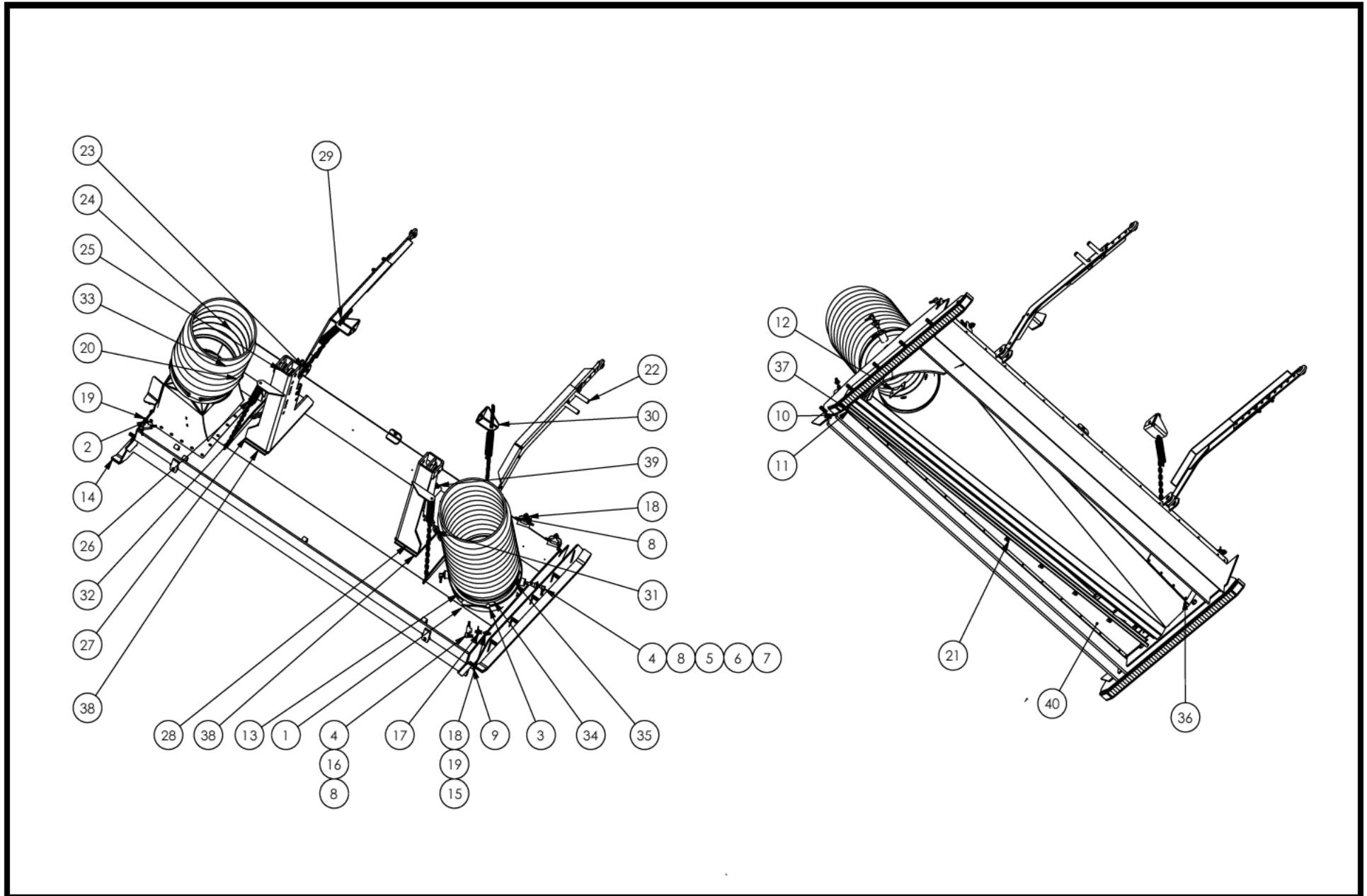
Section 2 - Debris Pickup

204R90 - HEAD, SIDE BLAST, XTRA SUCTION NOZZLE

ITEMS NOT SHOWN				ITEM NO.	PART NUMBER	QTY.	DESCRIPTION
41	65698	1	PUMP, DOUBLE CASAPPA 1.03 CC	1	525590	1	HEAD,WELD,BLASTER TRANSITION
42	29986	1	ACTUATOR, 4" K2-G20-12B-BR-04R	2	523179	1	WELD, SIDE BLASTER, BOLT-ON
43	21571	1	VALVE, 1/4" FLOW CONTROL	3	28445	1	CLAMP, V16-1/8
44	203931	1	KIT, HEAD WATER INTAKE SYS	4	20133	6	ELBOW,90,1/4 MNPT X FNPT
45	523181	1	WELD, KEDGE	5	20238	3	COUPLING .75 SCH80
46	204L10	1	KIT, HOSE STANDARD HEAD A7&A8	6	22971	3	GROMMET, 1/2" UNISEAL PIPE
				7	25048	3	BRASS SPRAY NOZZLE, 1/4 NPT
				8	26930	12	HOSE BARB 1/4 MPT X 3/8 HOSE
				9	29320	1	FLAP SET, STANDARD HEAD, A7/A9
				10	5207250	4	CLAMP, CURTAIN, POWERHEAD
				11	300076	1	ADJUSTABLE BLAST ORIFICE, A7
				12	5207458	1	CLAMP, CURTAIN, SUCTION, A7
				13	522804	1	QUICK DISCONNECT, UPPER SECT
				14	521189	2	SKID, STANDARD, A7000
				15	20407	5	SPRAY TIP FILTER, 100 MESH
				16	20141	4	FEMALE TEE, ECONO NPTF, 1/4"
				17	20408	5	SPRAY, TIP 1/4 MPT
				18	20420	5	SPRAY TIP RETAINER
				19	20441	5	SPRAY TIP, BRASS 8002
				20	24222	1	CLAMP, QUICK DISCONNECT
				21	24007	11	SPRING, COMP, 11/16 OD X 1-1/4
				22	522735	1	DRAG ARM, RH, ADJUSTABLE
				23	522736	1	DRAG ARM, LH, ADJUSTABLE
				24	24087	1	ELBOW, 90 DEG., 1/4 FPT X 1/4 FPT
				25	20928	2	HYD CYL, 1.5 X 6
				26	22940	4	SPRING, 1/4 X 1-1/2 X 8"
				27	524778	1	HEADSTOP, LH, A-SERIES, STD
				28	524779	1	HEADSTOP, RH, A-SERIES, STD
				29	5204931	1	RH SPRING BRACKET
				30	5204932	1	LH SPRING BRACKET
				31	20816	2.2FT	CHAIN, 5/16", 16-1/4" LONG
				32	20815	5.8FT	3/16" CHAIN 26 LINKS
				33	29594	1	HOSE, 14" X 22"
				34	21049	1	HOSE, 14" DIA. X 38", 3" CUFF
				35	66521	1	14-3/4" T-BOLT CLAMP
				36	5215135	1	PLATE,COVER,ACCESS,BLASTER
				37	5215512	1	FLAP, BLAST ORIFICE
				38	29342	1	FLAP, STD HEAD UPSTOP
				39	65765	4	ELBOW, 90° 3/8 MORFS X 1/4 NPT
				40	5213212	1	BEARING SHIM, ADJ BLS ORIF, A7

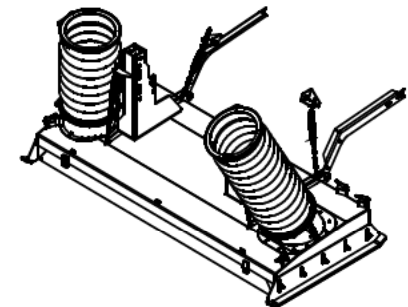
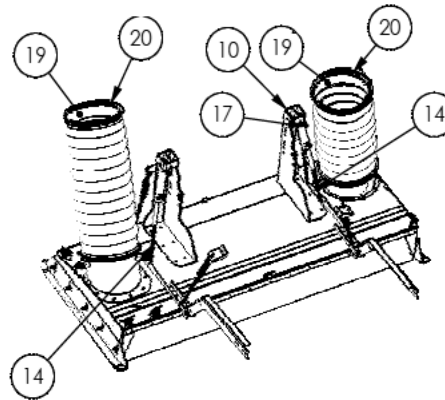
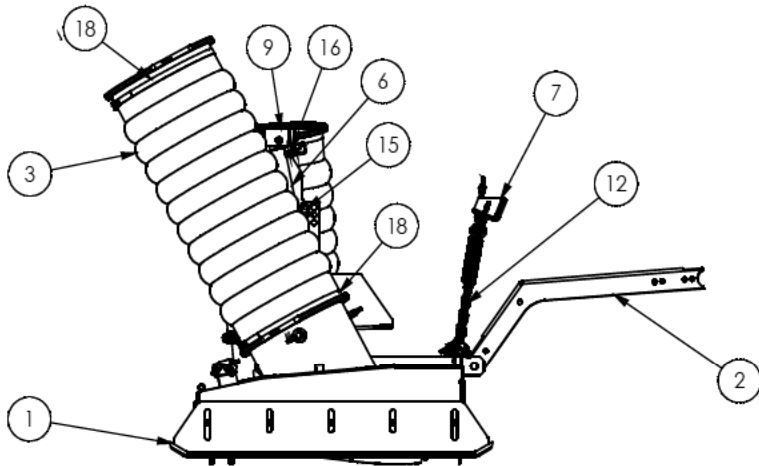
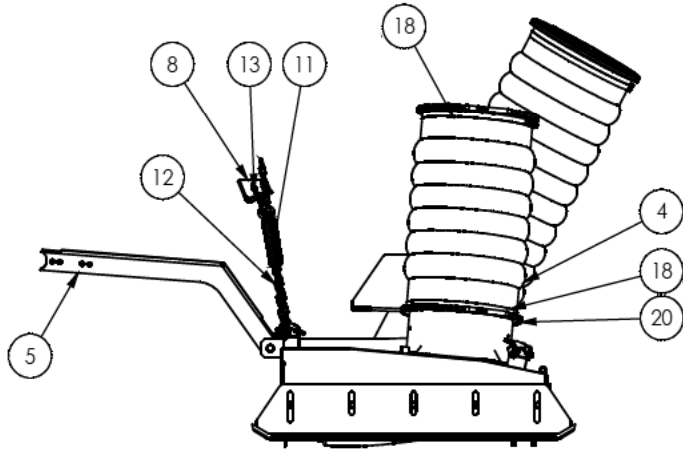
Section 2 - Debris Pickup

204R90 - HEAD, SIDE BLAST, XTRA SUCTION NOZZLE



Section 2 - Debris Pickup

204P45 - HEAD STANDARD WITH REM. TUBES



ITEM NO.	PART NUMBER	DESCRIPTION	QTY.
1	204P35	ASM, HEAD, RMVBLE TUBES, A7/A9	1
2	522891	BENT SECTION, RH	1
3	21049	HOSE, 14" DIA. X 38", 3" CUFF	1
4	21048	HOSE, 14" DIA. X 26", 3" CUFF	1
5	522892	BENT SECTION, LH	1
6	20928	HYD CYL, 1.5 X 6	2
7	5204932	LH SPRING BRACKET	1
8	5204931	RH SPRING BRACKET	1
9	524779	HEADSTOP, RH, A-SERIES, STD	1
10	524778	HEADSTOP, LH, A-SERIES, STD	1
11	22940	SPRING, 1/4 X 1-1/2 X 8"	4
12	20815	3/16" CHAIN 26 LINKS	4
13	32098	3/8" X 3 EYE BOLT	4
14	20816	CHAIN, 5/16", 16-1/4" LONG	2
15	65765	ELBOW, 90° 3/8 MORFS X 1/4 NPT	2
16	65632	ADAPTER, 3/8 MORFS X 1/4 NPT	2
17	61042	ELBOW, 90 3/8 FORFS X 3/8 MORFS	2
18	66521	14-3/4" T-BOLT CLAMP	4
19	522804	QUICK DISCONNECT, UPPER SECT	3
20	28445	CLAMP, V16-1/8	3

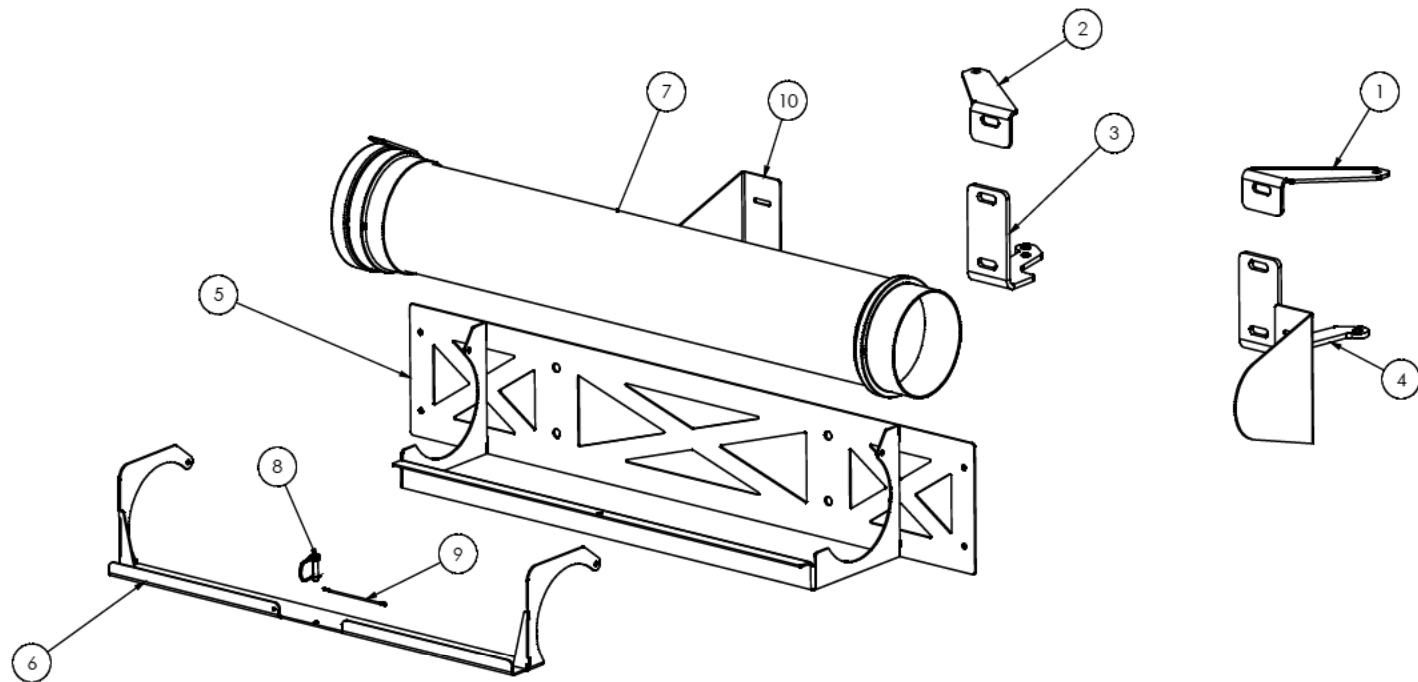
ITEMS BELOW NOT SHOWN

ITEM NO.	PART NUMBER	DESCRIPTION	QTY.
21	65698	PUMP, DOUBLE CASAPPA 1.03 CC	1
22	61052	ELBOW, 90 1" MORFS X 1" MORB	1
23	29342	FLAP, STD HEAD UPSTOP	1
24	204L10	KIT, HOSE STANDARD HEAD A7 & A9	1
25	61047	ELBOW, 90 1/2 MORFS X 5/8 MORB	2

Section 2 - Debris Pickup

204U89 - HAND HOSE EXTENSION

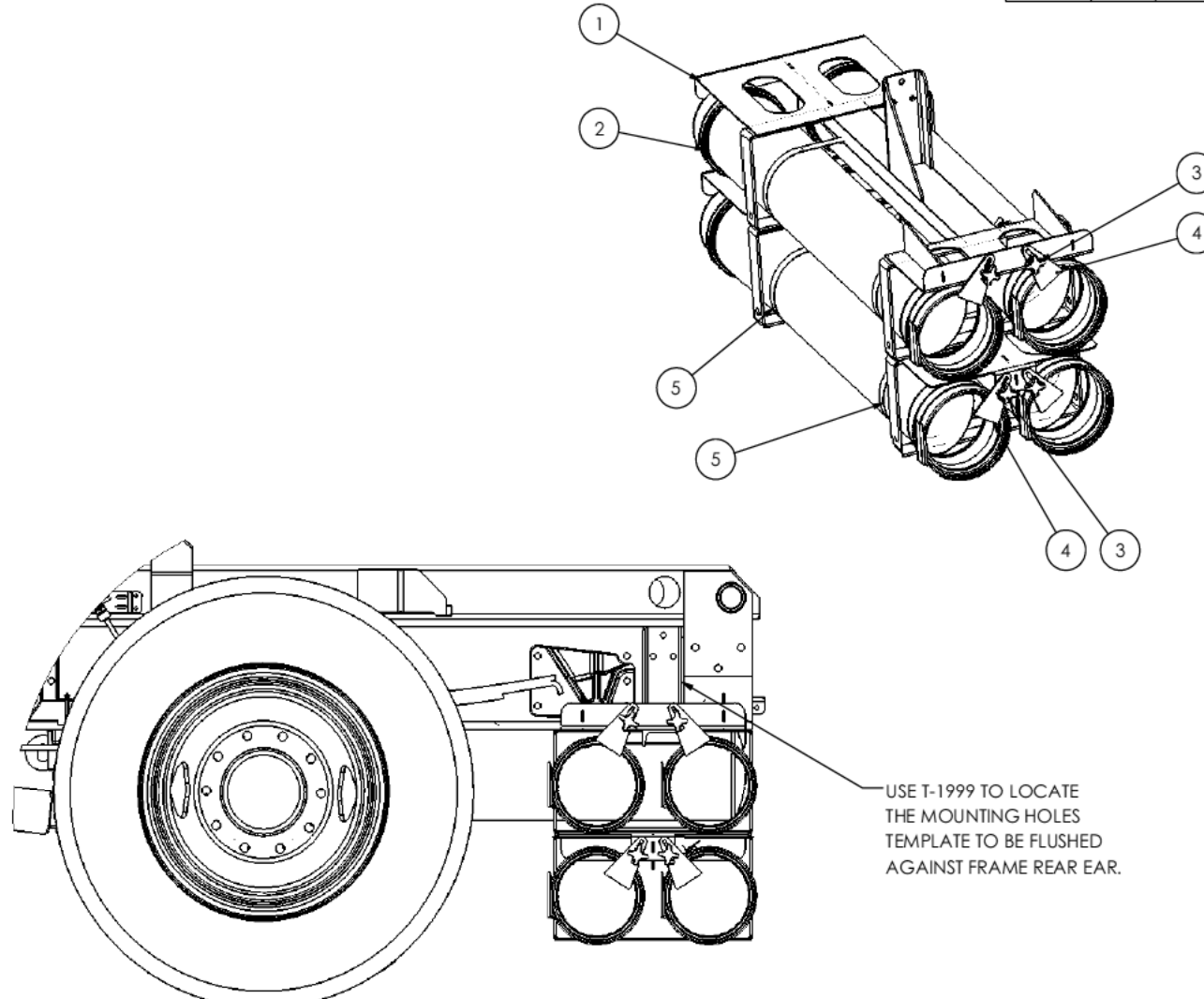
ITEM NO.	PART NUMBER	DESCRIPTION	QTY.
1	5218146	BRACKET LH UP MAGNET JIPCO	1
2	5218147	BRACKET RH UP MAGNET JIPCO	1
3	5218139	ANCHOR,BKT,RH,REM-MAG,M2	1
4	5218140	ANCHOR,BKT,LH,REM-MAG,M2	1
5	525857	WLD, HAND HOSE EXT, MNT SNGL	1
6	525858	WLD, HAND HOSE CLAMP CB	1
7	60019	AHH-48" NOZ-EXTN	1
8	28194	PIN, SAFTEY SNAP .38 X 1.5"	1
9	24075	LANYARD, 6"	1
10	5224137	BRKT, HAND HOSE EXT. END CAP	2



Section 2 - Debris Pickup

204R52 - HAND HOSE EXTENSION RACK 4X4

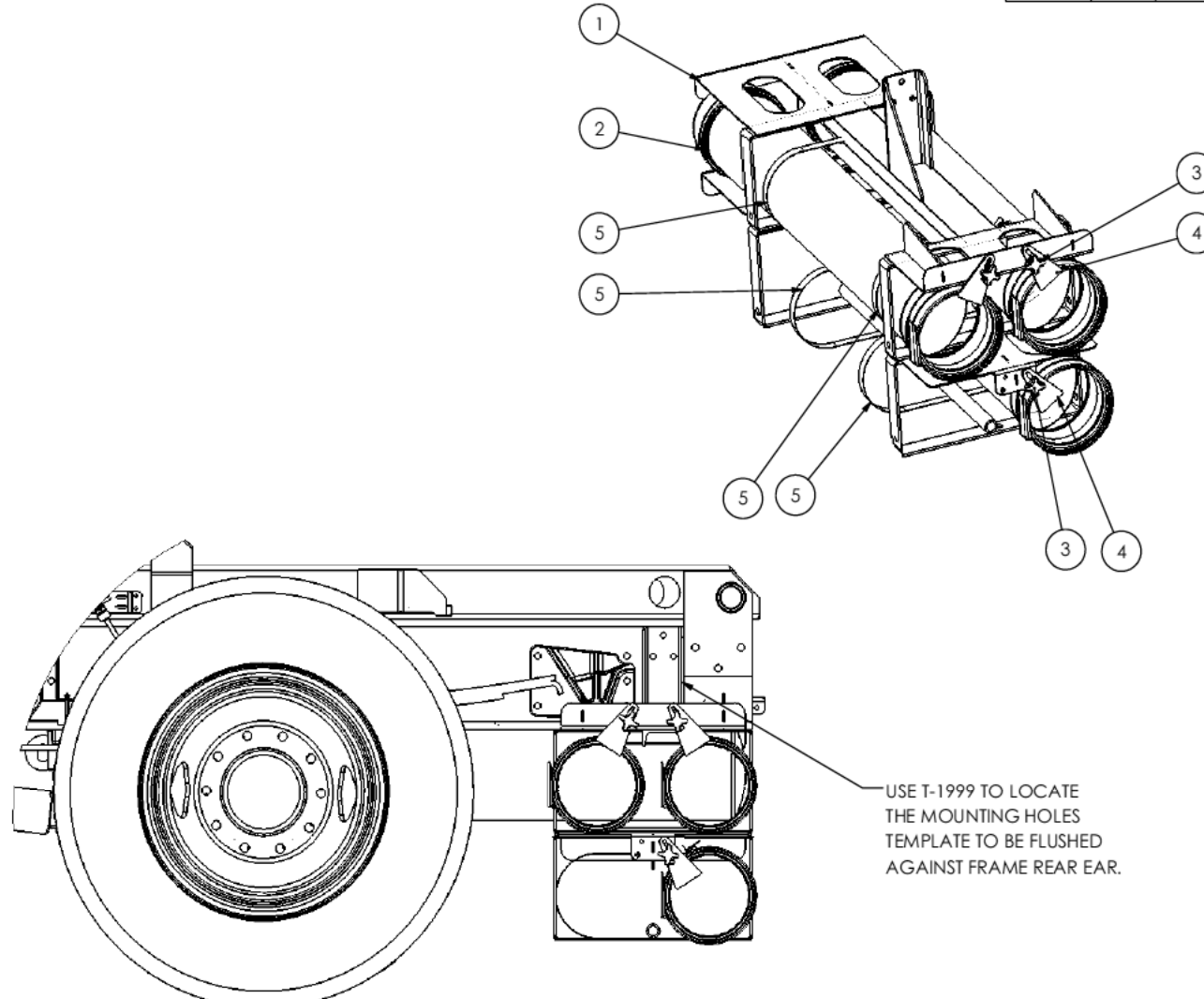
ITEM NO.	QTY.	PART NUMBER	DESCRIPTION
1	1	525574	WELD,HAND HOSE EXT RACK, NYDOT
2	4	60019	AHH-48" NOZ-EXTN
3	4	29276	2" KNOB THREADED 3/8-16 X 1"
4	4	3004620	PLATE, HAND HOSE EXTENSION RA
5	4	26307	STRAP, FUEL TANK



Section 2 - Debris Pickup

204R55 - HAND HOSE EXTENSION RACK 3X4

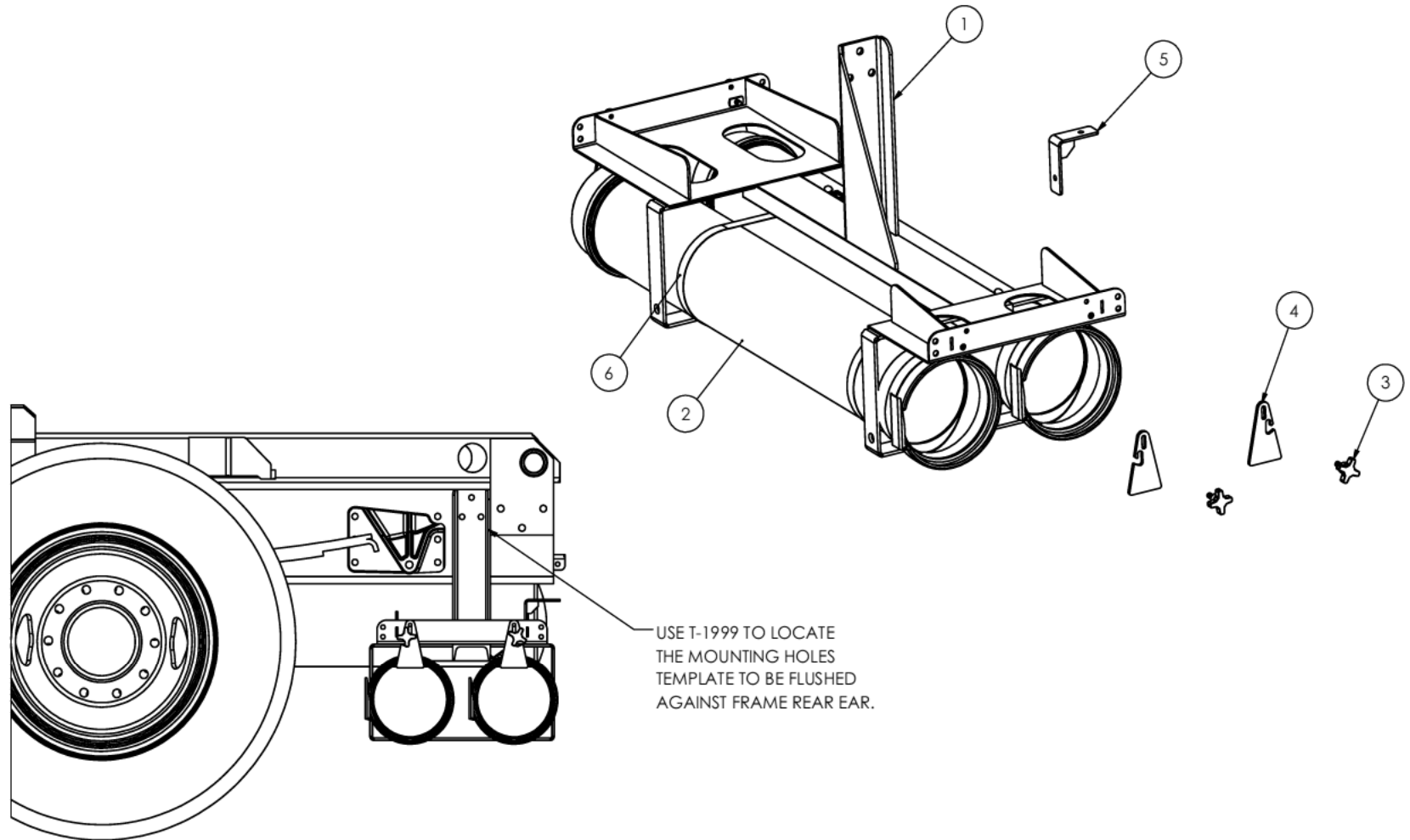
ITEM NO.	QTY.	PART NUMBER	DESCRIPTION
1	1	525574	WELD,HAND HOSE EXT RACK, NYDOT
2	3	60019	AHH-48" NOZ-EXTN
3	3	29276	2" KNOB THREADED 3/8-16 X 1"
4	3	3004620	PLATE, HAND HOSE EXTENSION RA
5	4	26307	STRAP, FUEL TANK



Section 2 - Debris Pickup

204N15 - HAND HOSE EXTENSION RACK

ITEM NO.	QTY.	PART NUMBER	DESCRIPTION
1	1	525321	WELD, HAND HOSE EXT RACK, NYDOT
2	2	60019	AHH-48" NOZ-EXTN
3	4	29276	2" KNOB THREADED 3/8-16 X 1"
4	4	3004620	PLATE, HAND HOSE EXTENSION RA
5	1	300838	BRACE, EXTENSION RACK NYT
6	2	26307	STRAP, FUEL TANK



Section 2 - Debris Pickup

204K65 - HAND HOSE HD ELEC BOOM

WHEN USED WITH 204C21 SPLIT ARROWBOARD, ROTATE 5222521 BRACKET 180° TO PREVENT INTERFERENCE

DETAIL B

ITEM NO.	PART NUMBER	QTY.	DESCRIPTION
1	5202637	1	KEEPER, AHH BOOM
2	5202633	1	HAND HOSE LATCH LEFT
3	520684	1	HAND HOSE COVER PLATE
4	521079	1	HAND HOSE 8" TRANSITION PLATE
5	21924	4	ATTACH LINK
6	60024	1	AHH NOZ & STOB ASSY
7	520626	1	HAND HOSE BOOM BKT
8	525625	1	WELD, BOOM SWING PIN
9	5202634	1	HANDLE HH TRANS DOOR
10	525160	1	WLD, MLE HLF CLMP HNDLE, AHH
11	525161	1	WLD, FMLE HLF CLMP HNDLE, AHH
12	20814-3	2	CHAIN, 1/4" 3 LINKS
13	64787-12	1	HAND HOSE KANAFLEX 8"
14	520625	1	HAND HOSE POWER BOOM
15	23006	1	SWITCH, 6 TERM WATERPROOF
16	523194	1	BLOCKOFF PLATE,W/HANDLE 2004 A7000
17	65060	1	FLAP, HD HAND HOSE, A7
18	3004003	1	HOSE HANGER, H/H
19	3004603	2	HOSE HANGER, RETAINER, H/H
20	5215415	1	CROWN, AHH TUBE END
21	65723	1	ELECT. HYDRAULIC CYLINDER
22	5222521	4	HANGER, HAND HOSE, A-SERIES
23	65977	4	STRAP, CINCH 20", BUCKLE
24	525910	2	WELD, HOSE CLAMP HALF
25	5223010	1	DEFL, HAND HOSE, A7-A9
26	524983	1	WELD, PIVOT, BOOM, AHH, A8T

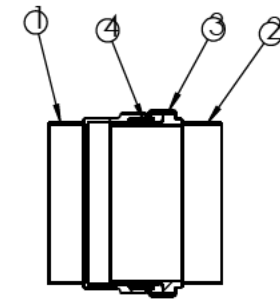
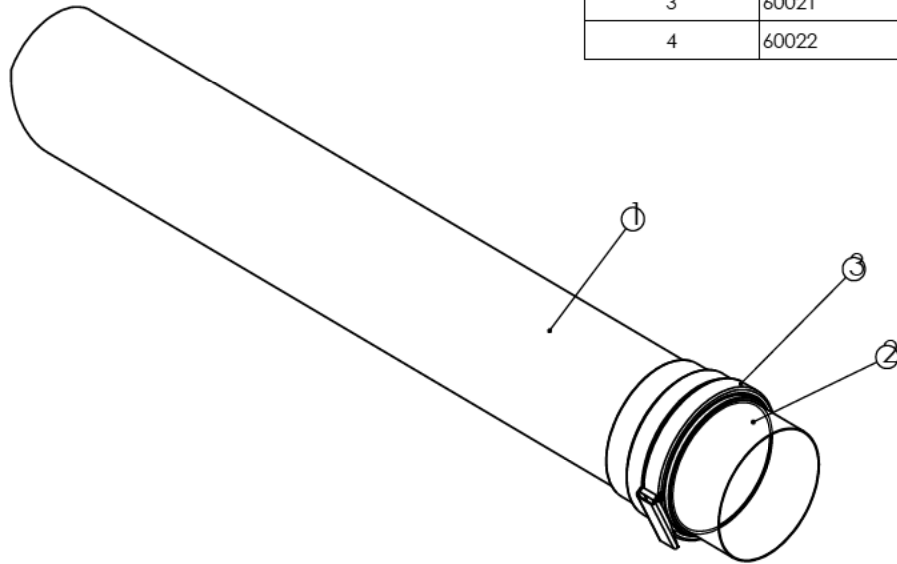
ITEMS BELOW NOT SHOWN

ITEM NO.	PART NUMBER	QTY.	DESCRIPTION
27	64606	1	PLUG, 2 CONTACT, SIZE 12 DTM
28	64619	1	WEDGELOCK, 2 WAY RECEPTACLE, D
29	66689	1	HARNES, REM THROTTLE/E BOOM
30	65161	1	DECAL, POWER BOOM

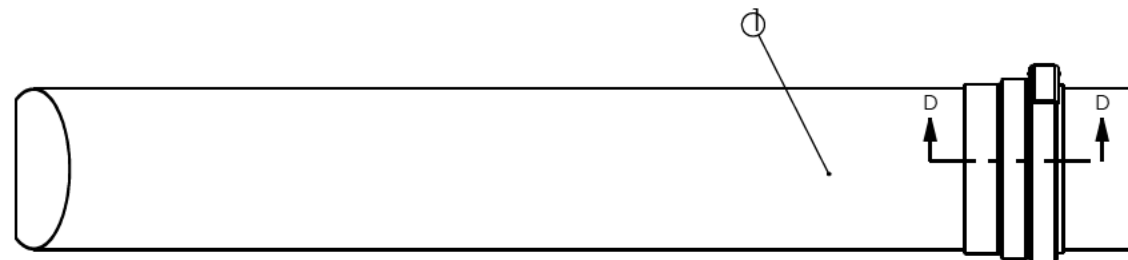
Section 2 - Debris Pickup

60024 - AHH NOZ & STOB

ITEM NO.	PART NUMBER	DESCRIPTION	QTY.
1	60017	WELD.NOZ,8X52, AHH	1
2	60018	AHH MALE END, STOB END	1
3	60021	AHH RING CLAMP	1
4	60022	AHH LIP SEAL	1

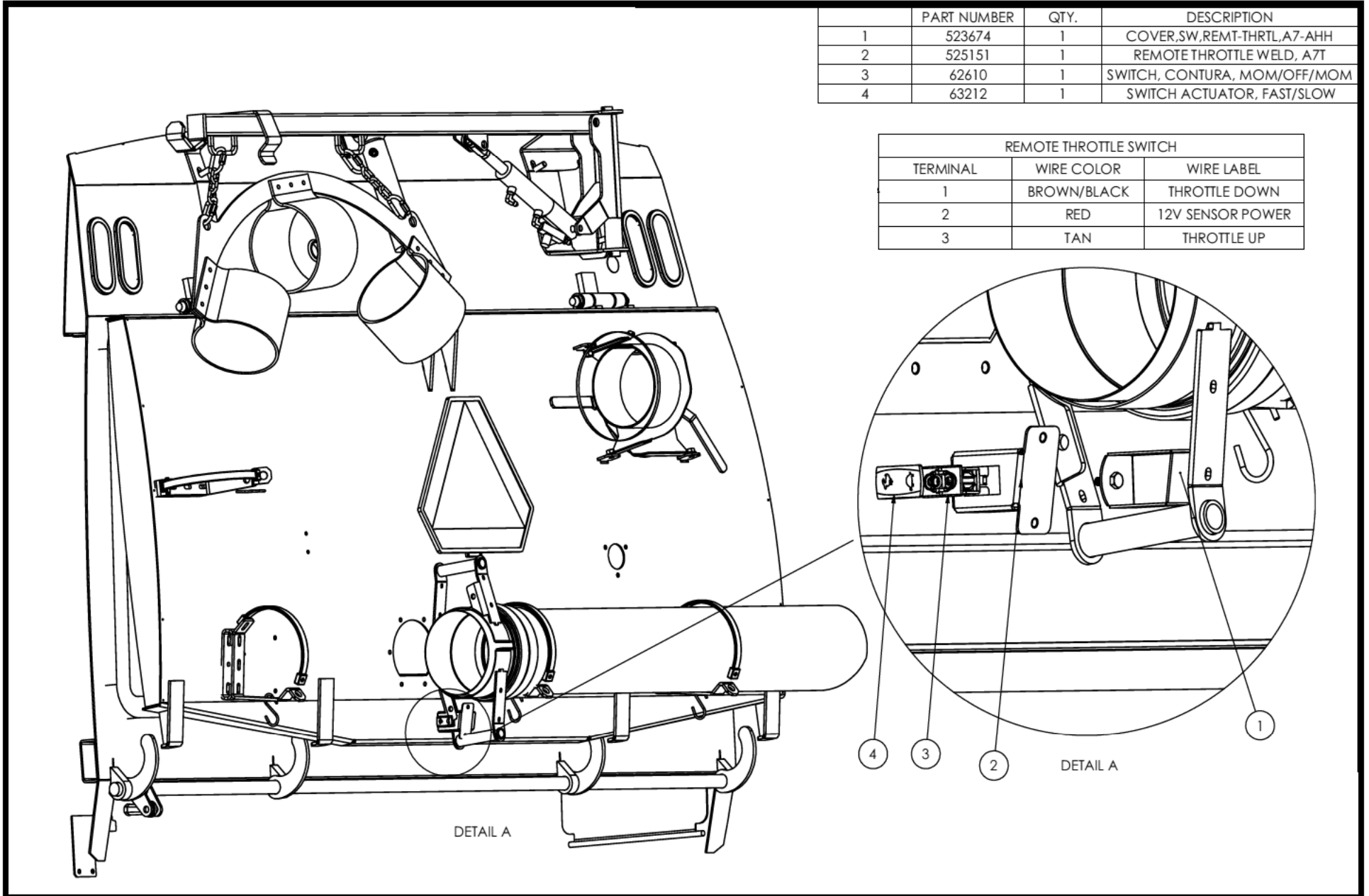


SECTION D-D



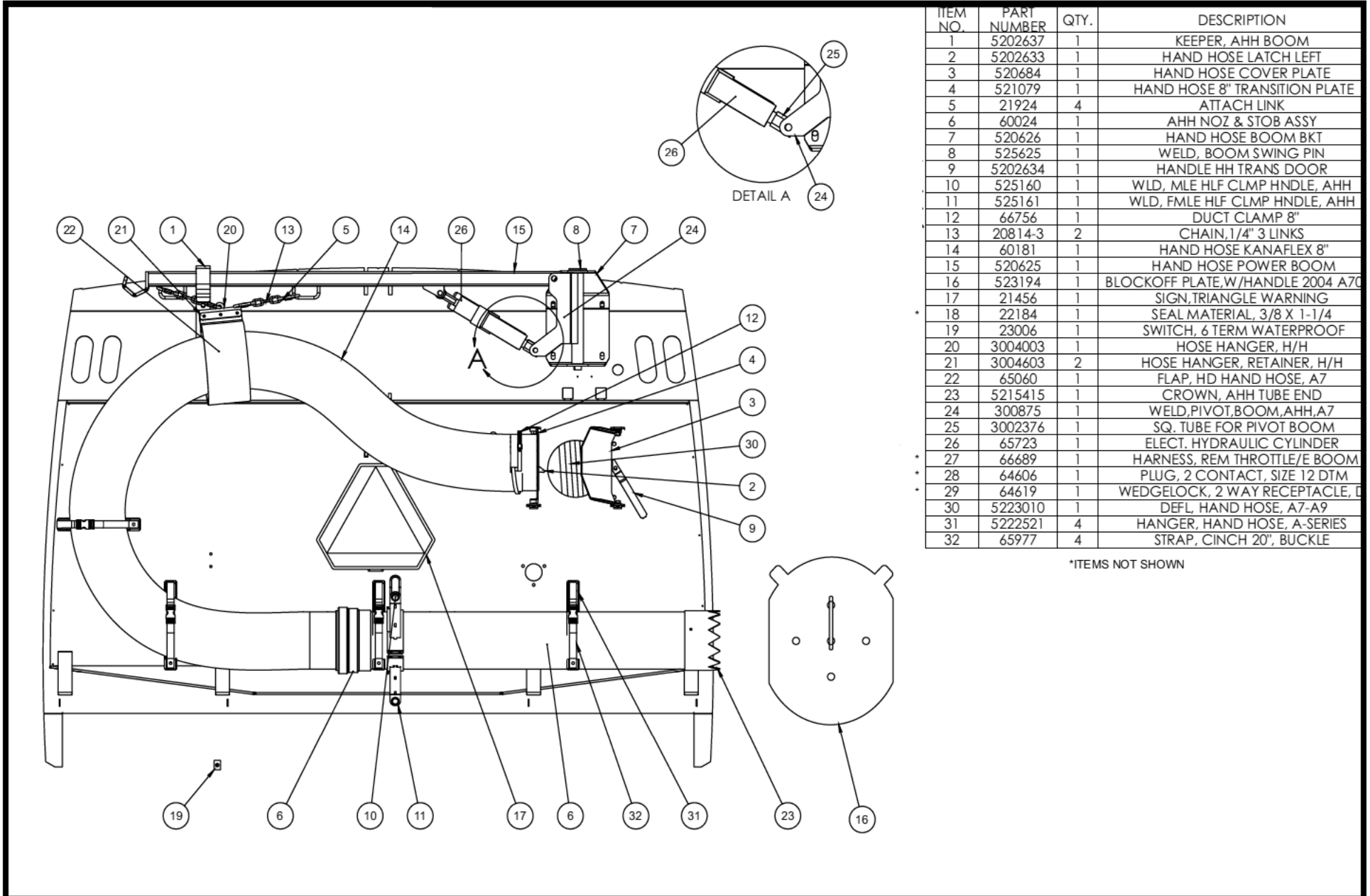
Section 2 - Debris Pickup

204L67 - REMOTE THROTTLE



Section 2 - Debris Pickup

204K56 - HAND HOSE STD ELEC BOOM

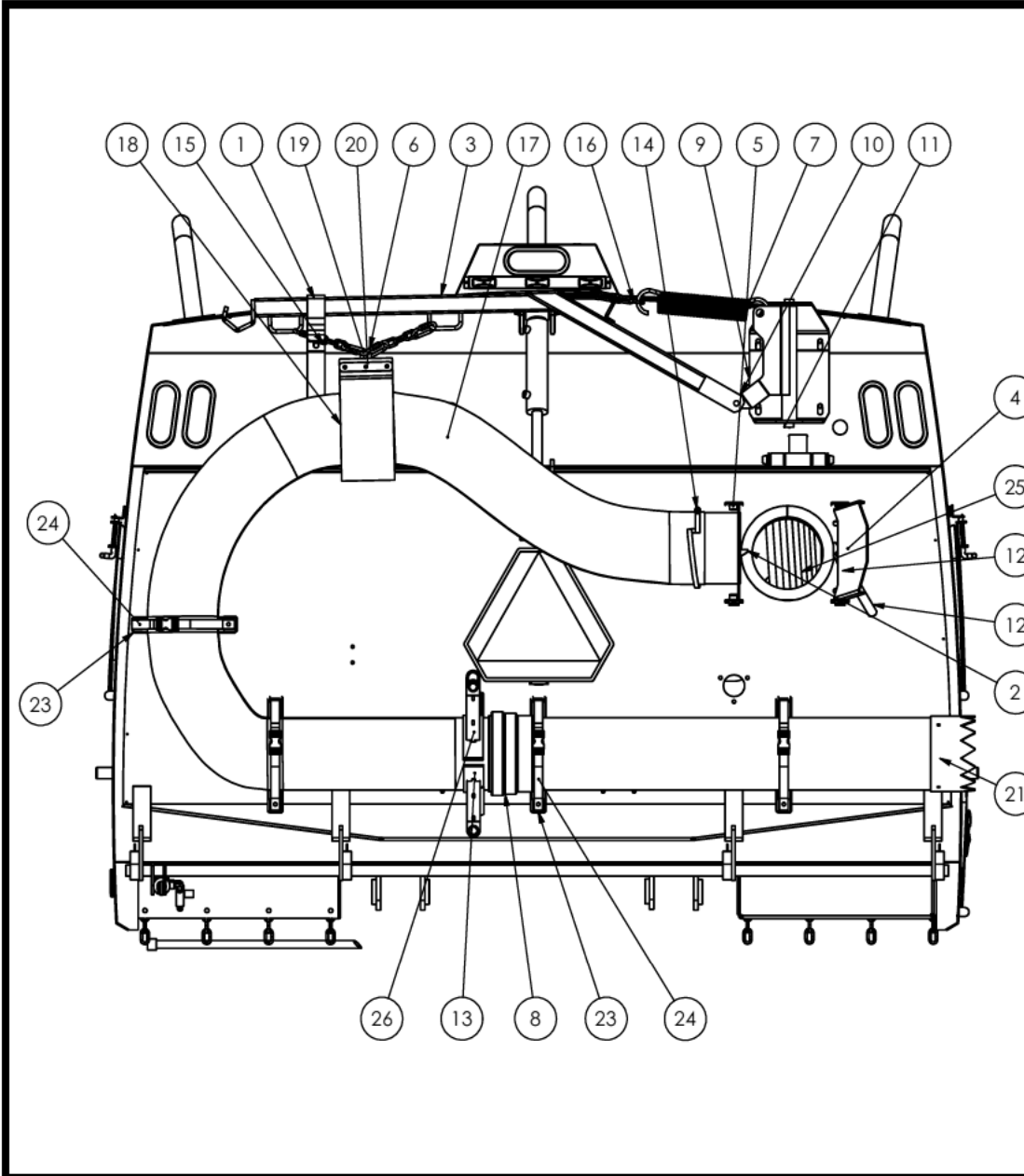


ITEM NO.	PART NUMBER	QTY.	DESCRIPTION
1	5202637	1	KEEPER, AHH BOOM
2	5202633	1	HAND HOSE LATCH LEFT
3	520684	1	HAND HOSE COVER PLATE
4	521079	1	HAND HOSE 8" TRANSITION PLATE
5	21924	4	ATTACH LINK
6	60024	1	AHH NOZ & STOB ASSY
7	520626	1	HAND HOSE BOOM BKT
8	525625	1	WELD, BOOM SWING PIN
9	5202634	1	HANDLE HH TRANS DOOR
10	525160	1	WLD, MLE HLF CLMP HNDLE, AHH
11	525161	1	WLD, FMLE HLF CLMP HNDLE, AHH
12	66756	1	DUCT CLAMP 8"
13	20814-3	2	CHAIN, 1/4" 3 LINKS
14	60181	1	HAND HOSE KANAFLEX 8"
15	520625	1	HAND HOSE POWER BOOM
16	523194	1	BLOCKOFF PLATE, W/HANDLE 2004 A7C
17	21456	1	SIGN, TRIANGLE WARNING
18	22184	1	SEAL MATERIAL, 3/8 X 1-1/4
19	23006	1	SWITCH, 6 TERM WATERPROOF
20	3004003	1	HOSE HANGER, H/H
21	3004603	2	HOSE HANGER, RETAINER, H/H
22	65060	1	FLAP, HD HAND HOSE, A7
23	5215415	1	CROWN, AHH TUBE END
24	300875	1	WELD, PIVOT, BOOM, AHH, A7
25	3002376	1	SQ. TUBE FOR PIVOT BOOM
26	65723	1	ELECT. HYDRAULIC CYLINDER
27	66689	1	HARNES, REM THROTTLE/E BOOM
28	64606	1	PLUG, 2 CONTACT, SIZE 12 DTM
29	64619	1	WEDGELOCK, 2 WAY RECEPTACLE, D
30	5223010	1	DEFL, HAND HOSE, A7-A9
31	5222521	4	HANGER, HAND HOSE, A-SERIES
32	65977	4	STRAP, CINCH 20", BUCKLE

*ITEMS NOT SHOWN

Section 2 - Debris Pickup

203066 - HAND HOSE SPRING BOOM



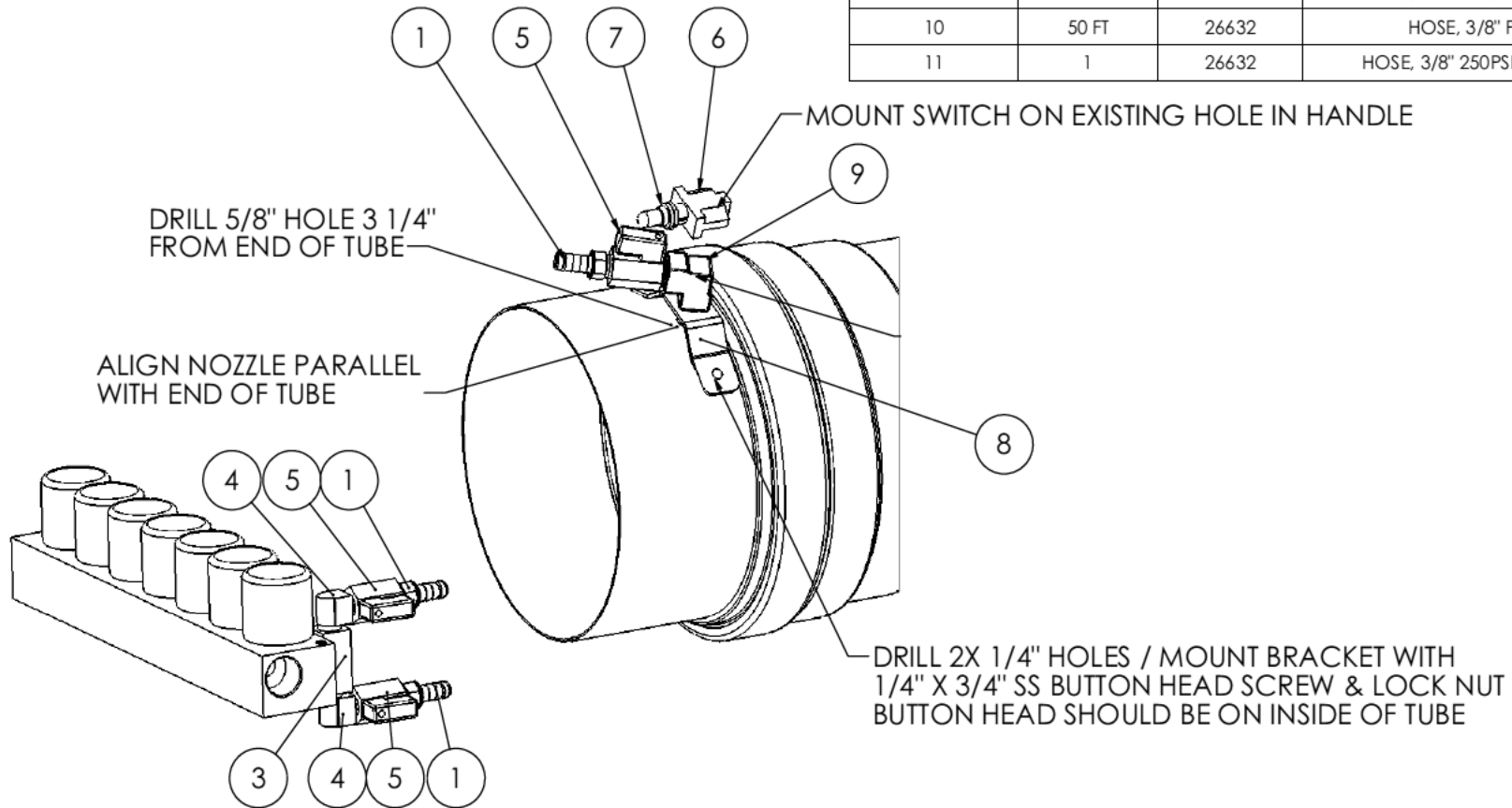
ITEM NO.	PART NUMBER	DESCRIPTION	QTY.
1	5202637	KEEPER, AHH BOOM	1
2	5202633	HAND HOSE LATCH LEFT	1
3	520699	HAND HOSE SPRING BOOM	1
4	520684	HAND HOSE COVER PLATE	1
5	521079	HAND HOSE 8" TRANSITION PLATE	1
6	21924	ATTACH LINK	4
7	21478	SPRING, 2" X 12"	1
8	60024	AHH NOZ & STOB ASSY	1
9	520626	HAND HOSE BOOM BKT	1
10	520685	WELD, PIVOT, BOOM, AHH, A7	1
11	5202616	PIN, BOOM SWING	1
12	5202634	HANDLE HH TRANS DOOR	1
13	525160	WLD, MLE HLF CLMP HNDLE, AHH	1
14	66756	DUCT CLAMP 8"	1
15	20814-3	CHAIN, 1/4" 3 LINKS	2
16	20814-5	CHAIN, 1/4 5 LINKS	1
17	60181-12'	HAND HOSE KANAFLEX 8"	1
18	65060	FLAP, HD HAND HOSE, A7	1
19	3004003	HOSE HANGER, H/H	1
20	3004603	HOSE HANGER, RETAINER, H/H	2
21	5215415	CROWN, AHH TUBE END	1
*22	523194	BLOCKOFF PLATE, W/HANDLE 2004 A7000	1
23	5222521	HANGER, HAND HOSE, A-SERIES	4
24	65977	STRAP, CINCH 20", BUCKLE	4
25	5223010	DEFL., HAND HOSE, A7-A9	1
26	525161	WLD, FMLE HLF CLMP HNDLE, AHH	1
*27	22184	SEAL MTL, 3/8 X 1-1/4 PER FT	2.5'
*28	66677	HARNES, HYDR BOOM/SPRING REMOTE THRTL	1

*ITEMS NOT SHOWN

Section 2 - Debris Pickup

204K35 - HAND HOSE WATER WITH HOPPER SPRAY

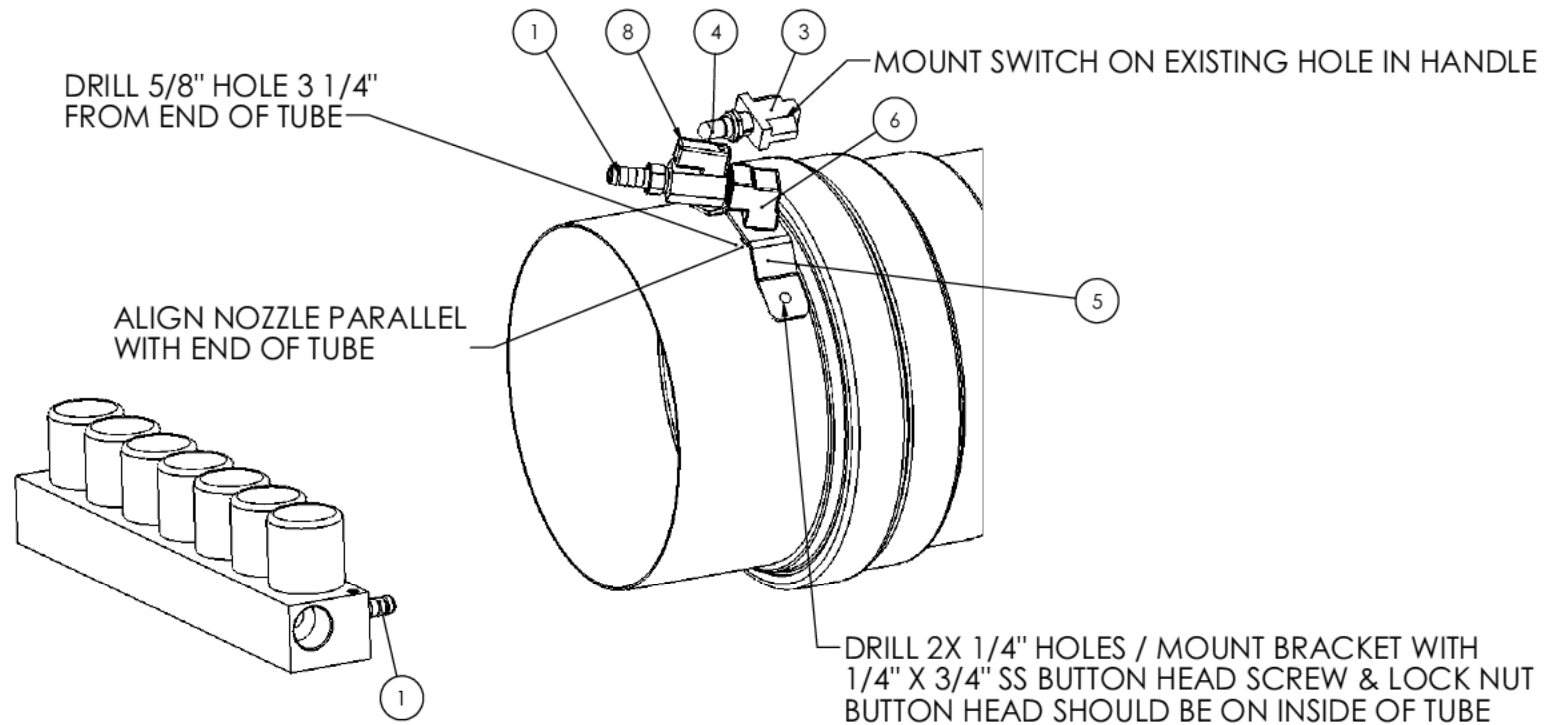
ITEM NO.	QTY.	PART NUMBER	DESCRIPTION
1	3	20070	3/8 HOSE X 1/4 MALE PIPE HOSE
2	1	28980	NOZZLE, BRASS .25-18NPT X .067
3	1	20144	TEE, 1/4 NPT, MALE BRANCH, BRASS
4	2	20133	ELBOW, 90, 1/4 MNPT X FNPT
5	3	26973	1/4" MINI BALL VALVE
6	1	23005	SWITCH, SPST WATERPROOF
7	1	20122	RUBBER SWITCH BOOT
8	1	5221400	HAND HOSE SPRAY NOZZLE BRACKE
9	1	24087	ELBOW, 90 DEG., 1/4 FPT X 1/4 FPT
10	50 FT	26632	HOSE, 3/8" PUSHLOK
11	1	26632	HOSE, 3/8" 250PSI PSHLK PER IN



Section 2 - Debris Pickup

204K97 - HAND HOSE WATER W/O HOPPER SPRAY

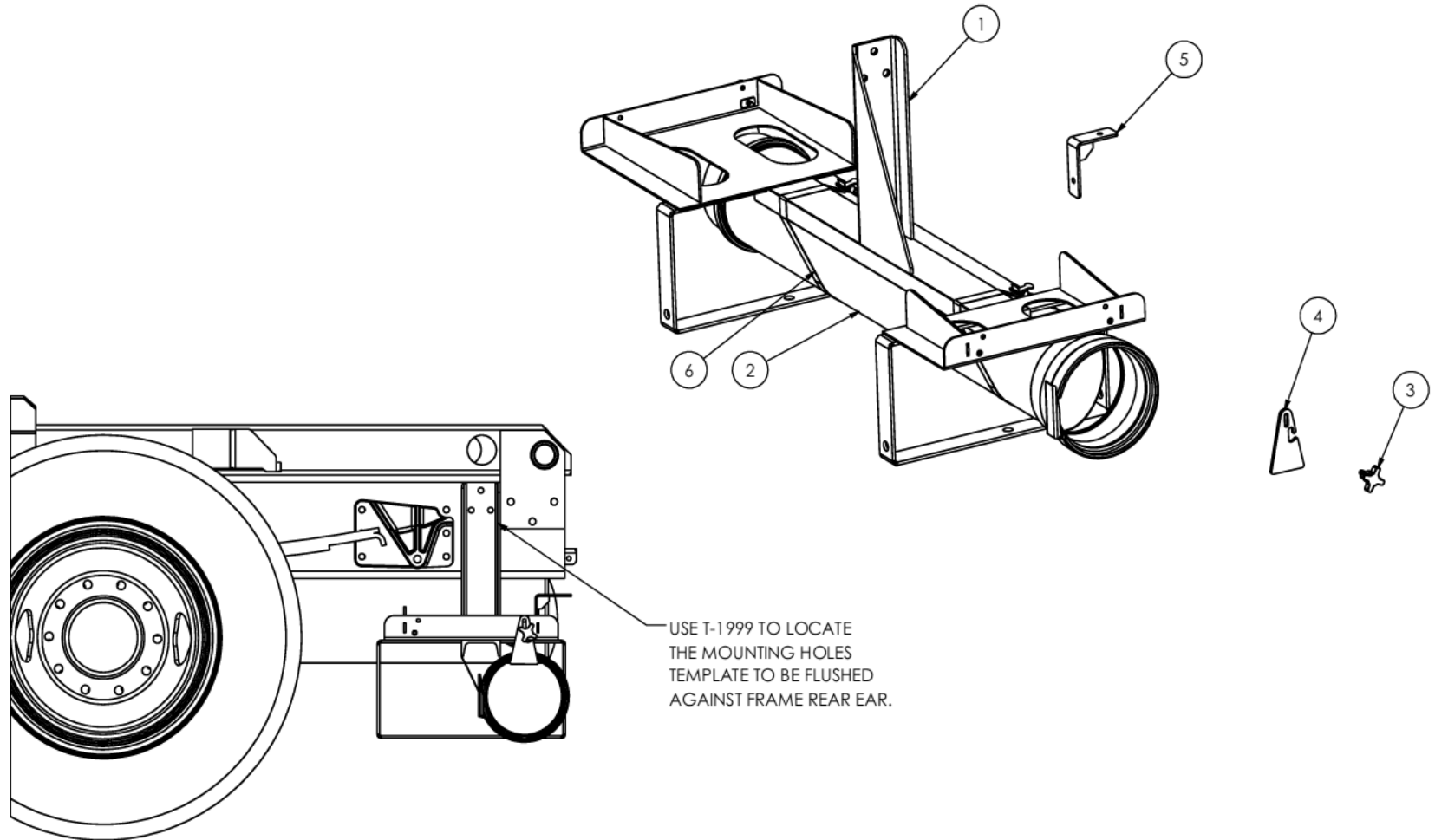
ITEM NO.	PART NUMBER	QTY.	DESCRIPTION
1	20070	2	3/8 HOSE X 1/4 MALE PIPE HOSE
2	28980	1	NOZZLE, BRASS .25-18NPT X .067
3	23005	1	SWITCH, SPST WATERPROOF
4	20122	1	RUBBER SWITCH BOOT
5	5221400	1	HAND HOSE SPRAY NOZZLE BRACKE
6	24087	1	ELBOW, 90 DEG., 1/4 FPT X 1/4 FPT
7	26632	50 FT	HOSE, 3/8" PUSHLOK
8	26973	1	1/4" MINI BALL VALVE



Section 2 - Debris Pickup

204H53 - HAND HOSE EXTENSION RACK SINGLE

ITEM NO.	QTY.	PART NUMBER	DESCRIPTION
1	1	525321	WELD,HAND HOSE EXT RACK, NYDOT
2	1	60019	AHH-48" NOZ-EXTN
3	2	29276	2" KNOB THREADED 3/8-16 X 1"
4	2	3004620	PLATE, HAND HOSE EXTENSION RA
5	1	300838	BRACE, EXTENSION RACK NYT
6	2	26307	STRAP, FUEL TANK

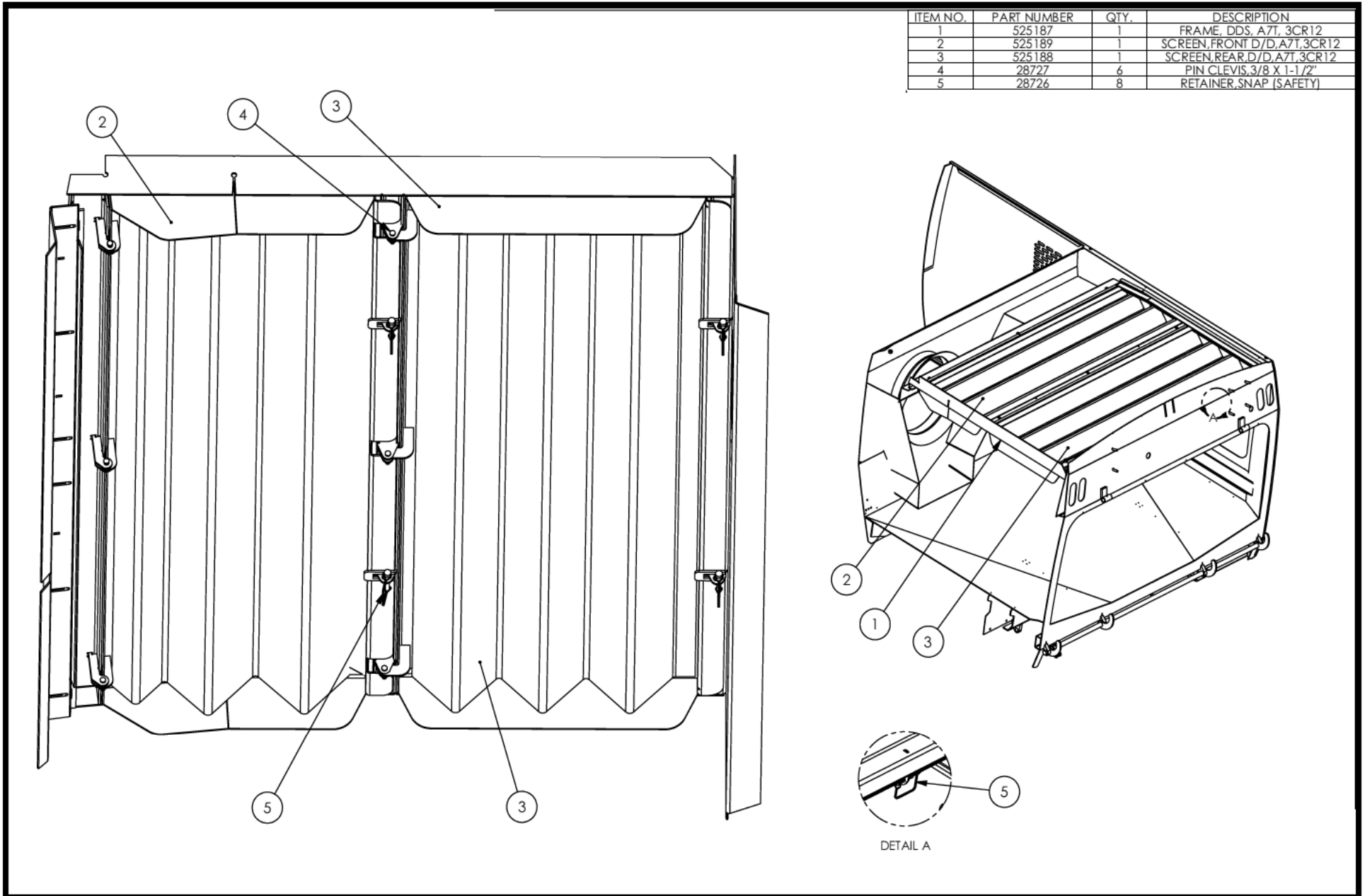


Hopper

3

Section 3 - Hopper

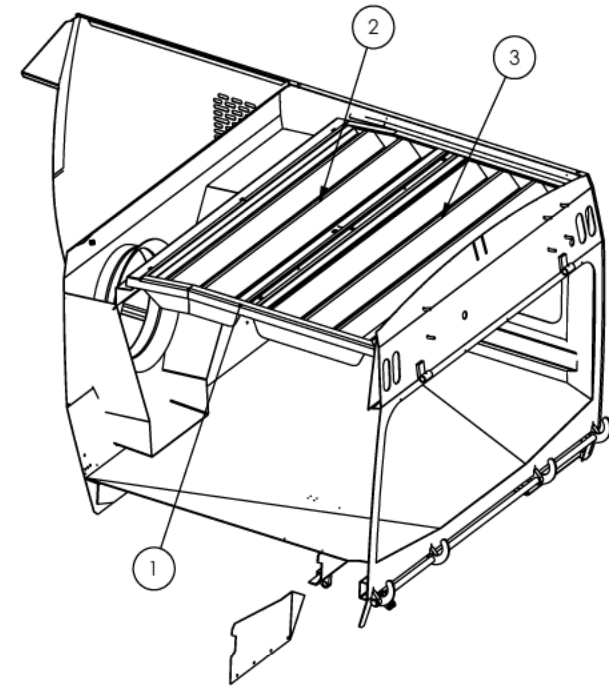
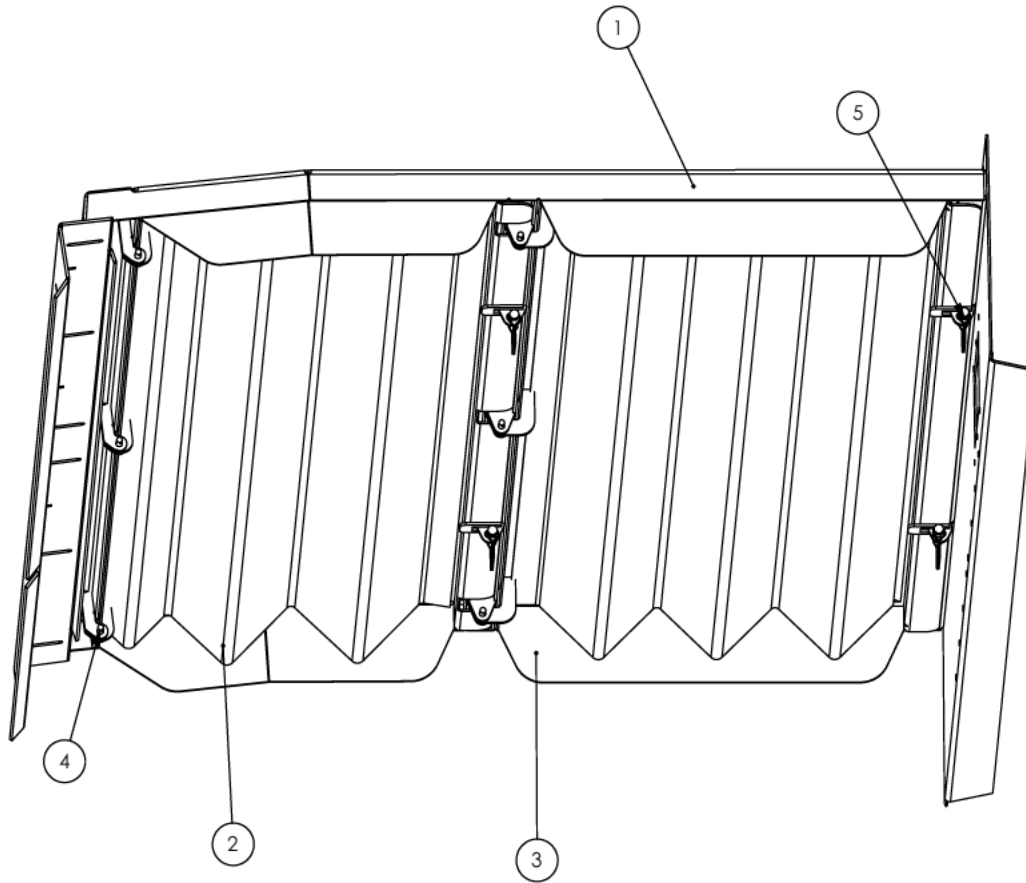
204L99 - HOPPER DROP DOWN SCREEN, SS



Section 3 - Hopper

203G49 - HOPPER DROP DOWN SCREEN, MS

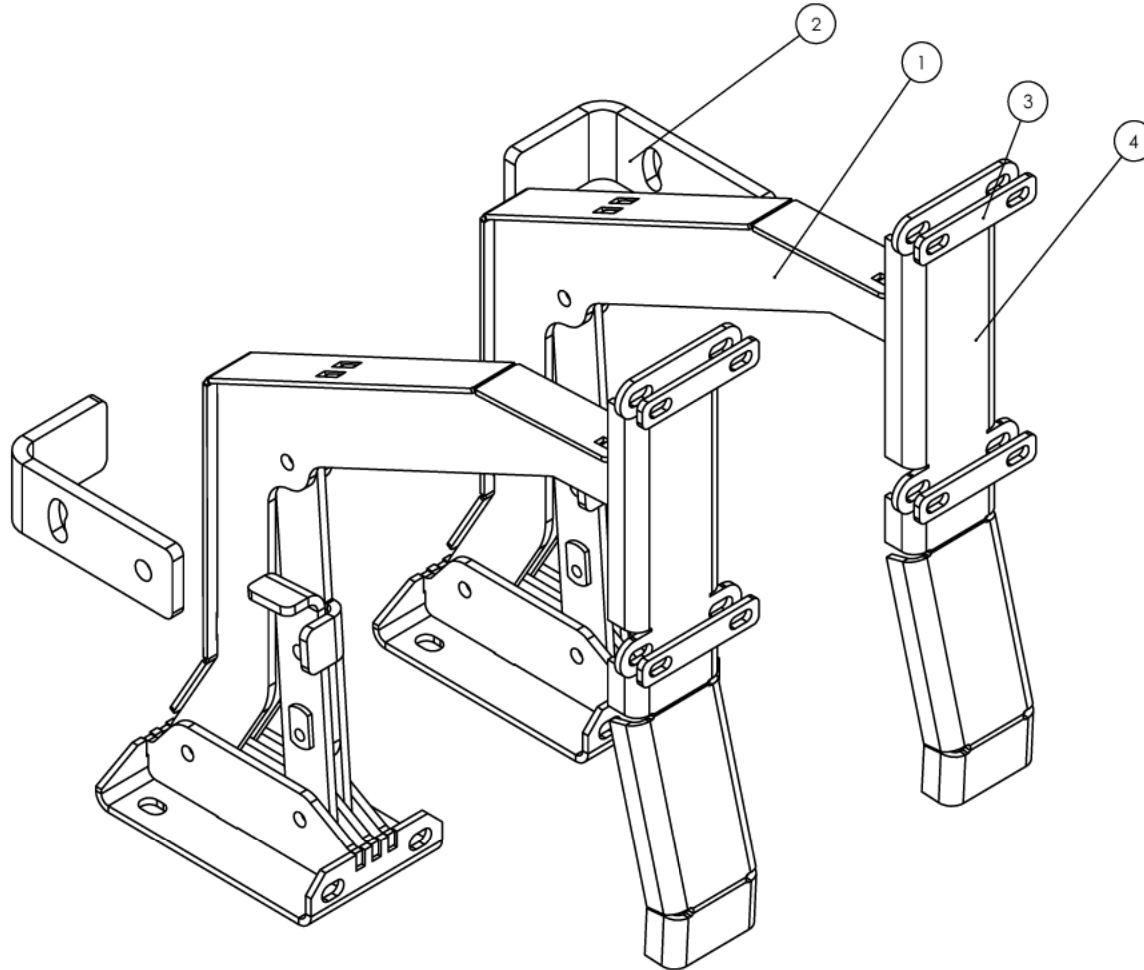
ITEM NO.	PART NUMBER	QTY.	DESCRIPTION
1	523151	1	FRAME, SCREEN, DROP/DOWN
2	523152	1	WELD, SCREEN, FRONT, D/D
3	522833	1	WELD, SCREEN, REAR, D/D
4	28727	6	PIN CLEVIS, 3/8 X 1-1/2"
5	28726	4	RETAINER, SNAP (SAFETY)



Section 3 - Hopper

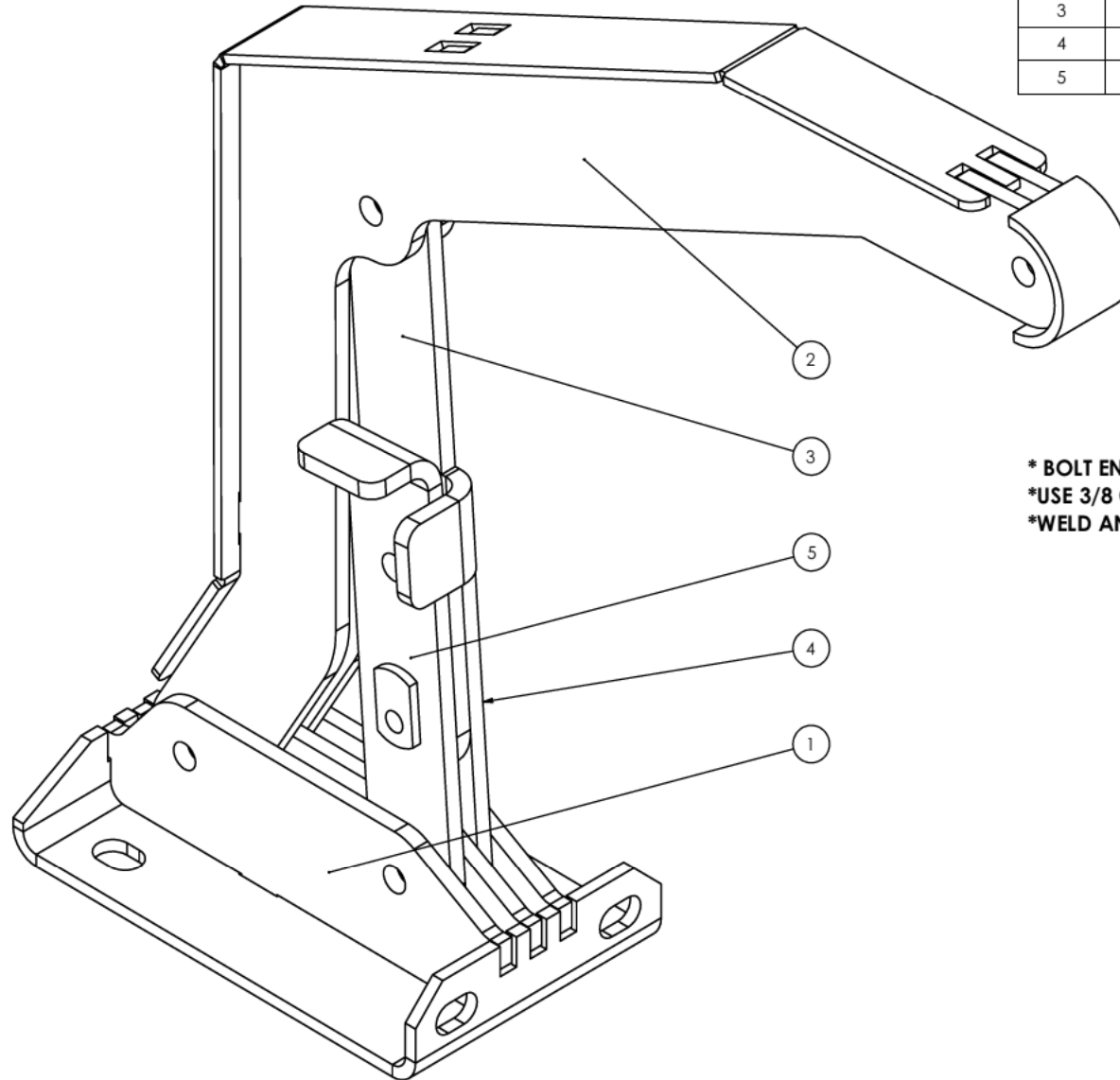
204L38 - AUTO DROP DOWN SCREEN MOUNT

ITEM NO.	PART NUMBER	DESCRIPTION	QTY.
1	204L37	ARM ASSY, A7 DRP DN SCR N BKT	2
2	5220516	TRAVEL LMT BRKT, A7 DROP DN SC	2
3	5221373	SLIDER BOLT PLATE,AUTO SCREEN	4
4	5221765	SLIDER PLATE, DROP DOOR, A7	2



Section 3 - Hopper

204L37 - AUTO DROP DOWN SCREEN ARM



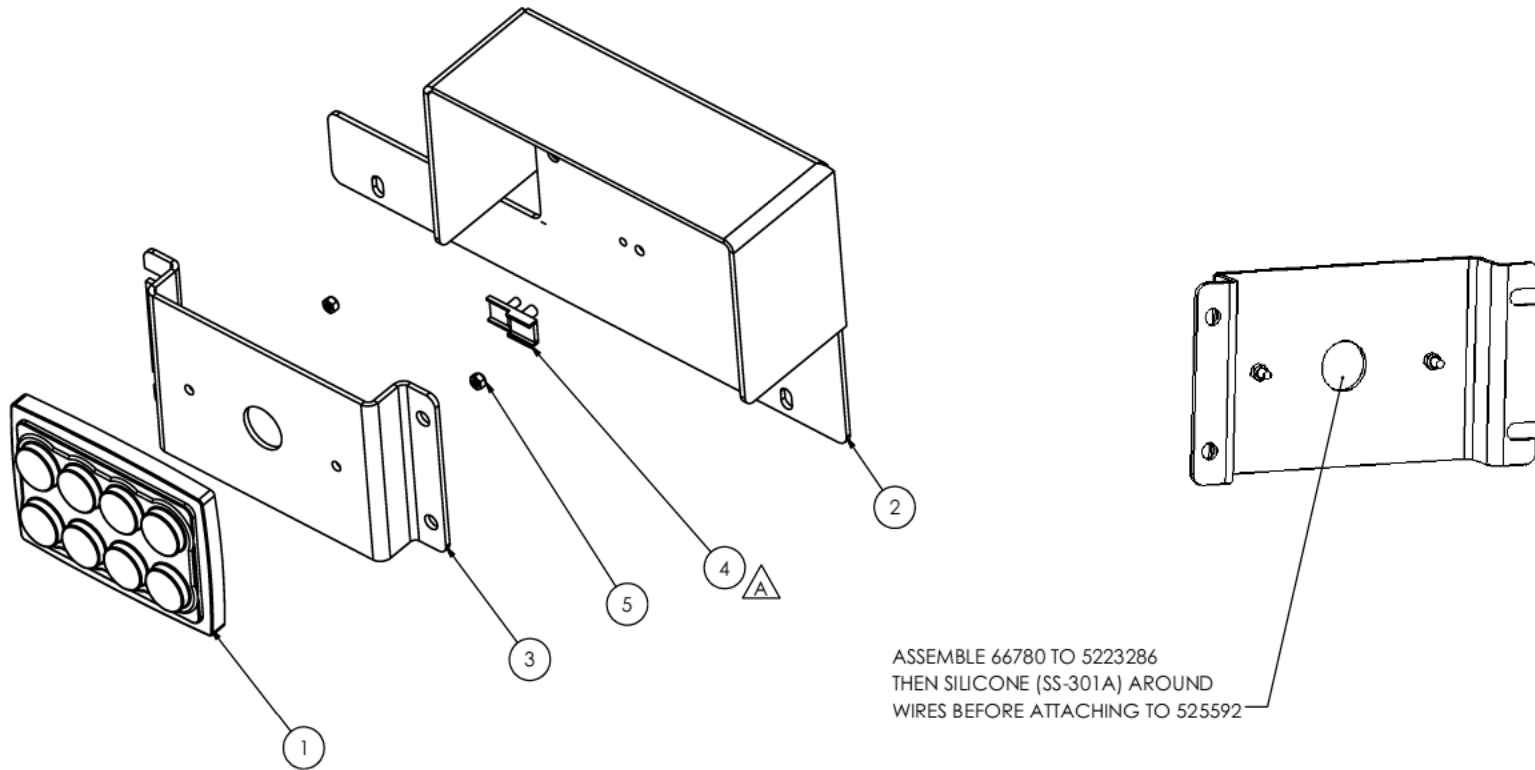
ITEM NO.	PART NUMBER	QTY.	DESCRIPTION
1	525123	1	WELDMNT, ARM BKT, A7
2	525118	1	ARM WLDMNT, A7 DRP DWN SCRN
3	5221792	1	CENTER LINK, AUTO DRP SCRN BKT
4	5219906	1	FIXED LINKAGE, DROP SCRN BRKT
5	525130	1	STOP LINK WDMT, DRP SCRN BKT

- * BOLT ENTIRE ASSEMBLY TOGETHER BEFORE WELDING
- * USE 3/8 GR 8 BOLTS
- * WELD AND GRIND ALL SLOT AND TABS

Section 3 - Hopper

204S02 - EXT HOPPER SWITCH LH

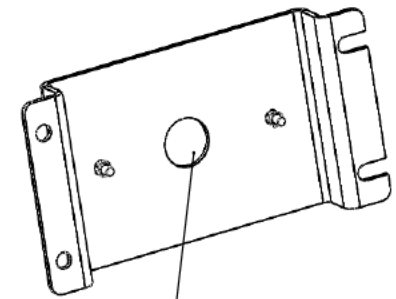
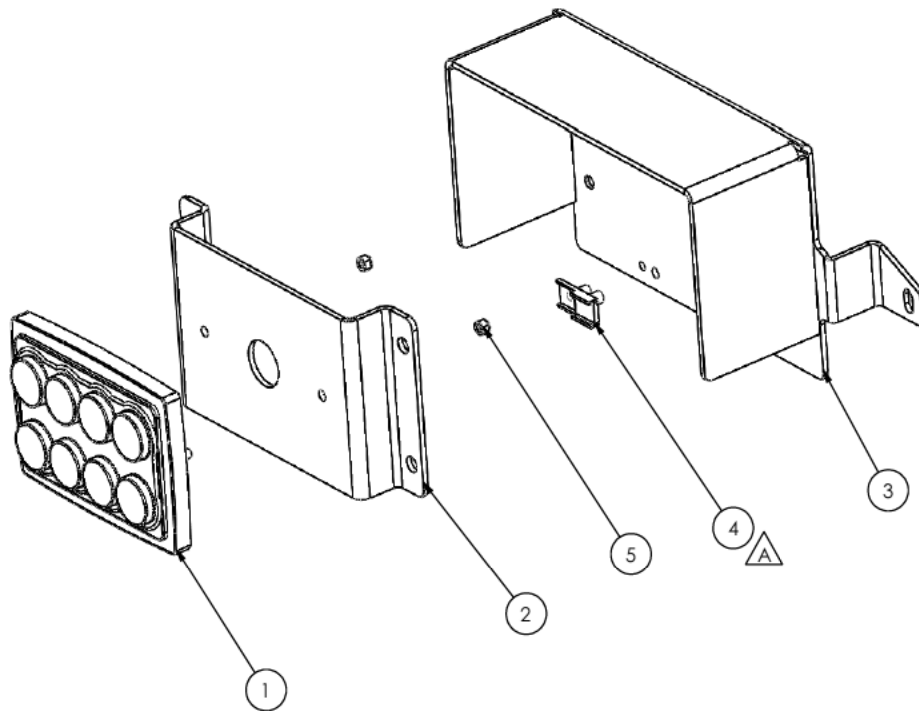
ITEM NO.	PART NUMBER	DESCRIPTION	QTY.
1	66780	SWITCH, LEFT HAND EXT	1
2	525592	WELD, LH EXT HOP SWITCH,A7/A9T	1
3	5223286	PLATE, EXT HOP SWITCH,A7T/A9T	1
4	67116	CLIP, DT & DTM SERIES RECEP.	1
5	34034	LOCKNUT, M5	2



Section 3 - Hopper

204S03 - EXT HOPPER SWITCH RH

ITEM NO.	PART NUMBER	DESCRIPTION	QTY.
1	67523	SWITCH, RIGHT HAND EXT	1
2	5223286	PLATE, EXT HOP SWITCH,A7T/A9T	1
3	525593	WELD, RH EXT HOP SWITCH,A7/A9T	1
4	67116	CLIP, DT & DTM SERIES RECEP.	1
5	34034	LOCKNUT, M5	2
6	66646	HARNESS, EXTENSION, CAN MODULE	1



ASSEMBLE 67523 TO 5223286
 THEN SILICONE (SS-301A) AROUND
 WIRES BEFORE ATTACHING TO 525593

Section 3 - Hopper

204U73 - HOPPER. CUMMINS

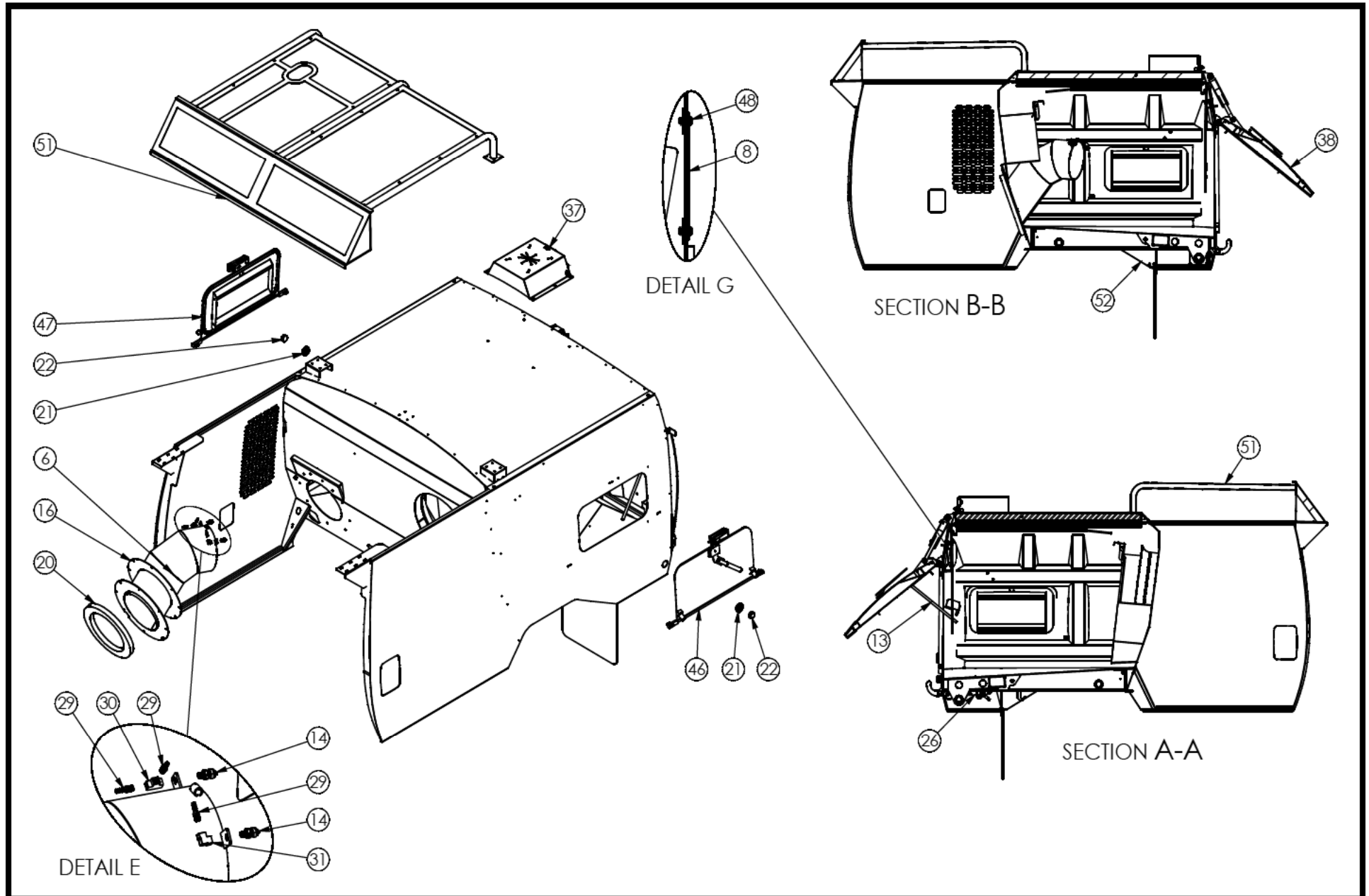
ITEM NO.	PART NUMBER	DESCRIPTION	QTY.
47	204M95	INSPECTION DOOR ASSY,CURB SIDE	1
48	34033	RD HD SCREW, 5/16 X 5/8, SS	11
* 49	204L09	KIT, HOSE REAR DOOR A7	1
* 50	67175	ADH,RTV SILICONE,HIGH STRENGT	3
51	204U72	INSTALL, CUMMINS LIMB GUARD	1
52	525836	HOPPER, A7T, CUM, MS	1

*COMPONENTS NOT SHOWN

ITEM NO.	PART NUMBER	DESCRIPTION	QTY.
1	522628	WELD, SEPERATOR DOOR, A7	1
2	5201914	HOPPER PROP LATCH HOOK, A7,	1
3	29138	T-HANDLE LATCH	1
4	5204418	PIN,DOOR,CYLINDER	2
5	22267	CLIP,3/4" E	4
6	523156	TUBE HOPPER INTAKE BOLT-IN A7	1
7	59875	GROMMET, OVAL 6"	4
8	5204414	PLATE,COVER,WIRE RUN	2
9	24029	MUDFLAP, 24 X 24 X 1/4	4
10	28458	ALUMINUM HINGE, SHORT	2
11	5215010	COVER,HOPPER TOOLBOX,A7000	1
12	20814-3	CHAIN,1/4" 3 LINKS	8
13	520479	HOPPER DOOR PROP A7000	1
14	203G42	SPRAY TIP ASSEMBLY,A7000 HOPP	2
15	21456	SIGN,TRIANGLE WARNING	1
16	29494	SEAL,BOLT-IN INTAKE TUBE,A7000	1
17	64660	DOOR FRAME, A7 SEAL	1
18	21428-30	SEAL MATERIAL,1/4 X 1-1/4,CUT TO 30"	1
19	64745-56	SEAL D PROFILE EPDM 60	1
20	54310	SEAL,INTAKE,A7000 BOLT-IN INTAKE TUBE	1
21	23136	GROMMET, 2" MARKER LIGHT	2
22	20779	LIGHT, LED, 2" RED, SIDE MARKR	2
23	27875	1 1/2" NICKLE PLATED PLUG	1
24	55625	LIGHT, 6.5" WIDE, RED LED	2
25	23402	GROMMET,1.5" I.D. X 2.125" O.D.	1
26	204L20	CYL, HOPPER DOOR LATCH A7 & A9	1
* 27	26632-292	HOSE, 3/8 WATER HOPPER	1
* 28	26632-24	HOSE, 3/8 WATER HOPPER	1
29	26930	HOSE BARB 1/4 MPT X 3/8 HOSE	3
30	20141	FEMALE TEE, ECONO NPTF, 1/4"	1
31	24087	ELBOW, 90 DEG., 1/4 FPT X 1/4 FPT	1
32	520311	HOPPER, MTG, PIN	2
33	525054	WELD, SS HINGE, D/D, A9-08	2
34	5214014	DUMP DOOR HINGE PIN	2
35	204R39	CYLINDER, DUMP DOOR, A7T	1
36	22738	CLIP, 1-3/16" E	4
37	204Q77	BRAKE LIGHT, REAR CENTER ASSY	1
38	525104	HOPPER,DUMP DOOR,A7	1
39	64846	LIGHT, STROBE - TURN SIGNAL #1	1
40	64847	LIGHT, STROBE - TURN SIGNAL #2	1
41	525147	HOP, TOOLBOX DOOR, A7T,3CR12	1
42	204L08	KIT, HOSE HOPPER LIFT A7 & A9	1
43	5207106	MAT, TOOL BOX	1
44	61704	TURCK PRX SWITCH & BRKT	1
45	5222222	A7, DOOR PROX PLATE, T4	1
46	204M94	INSPECTION DOOR ASSY,ROAD SIDE	1

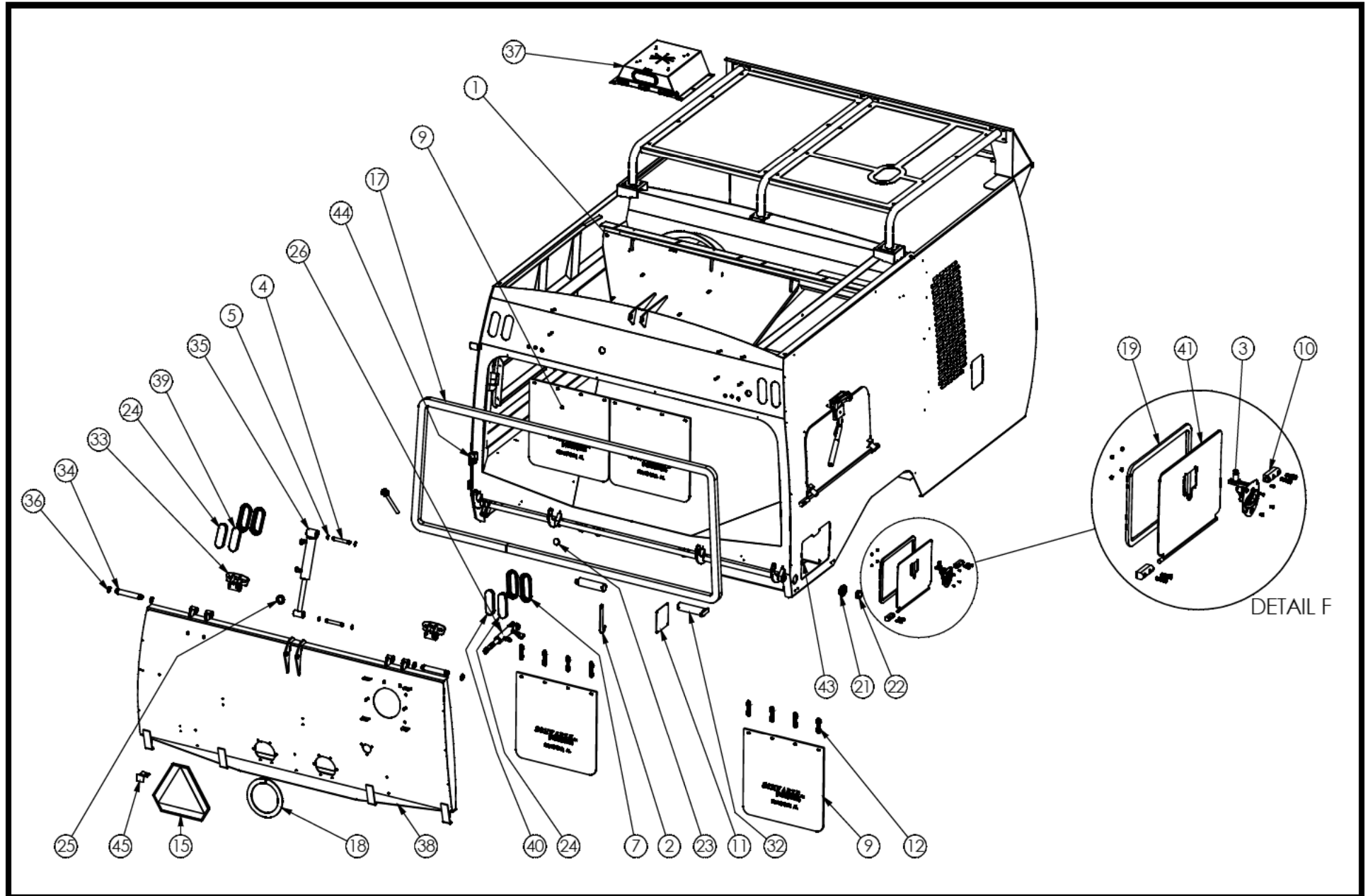
Section 3 - Hopper

204U73 - HOPPER. CUMMINS



Section 3 - Hopper

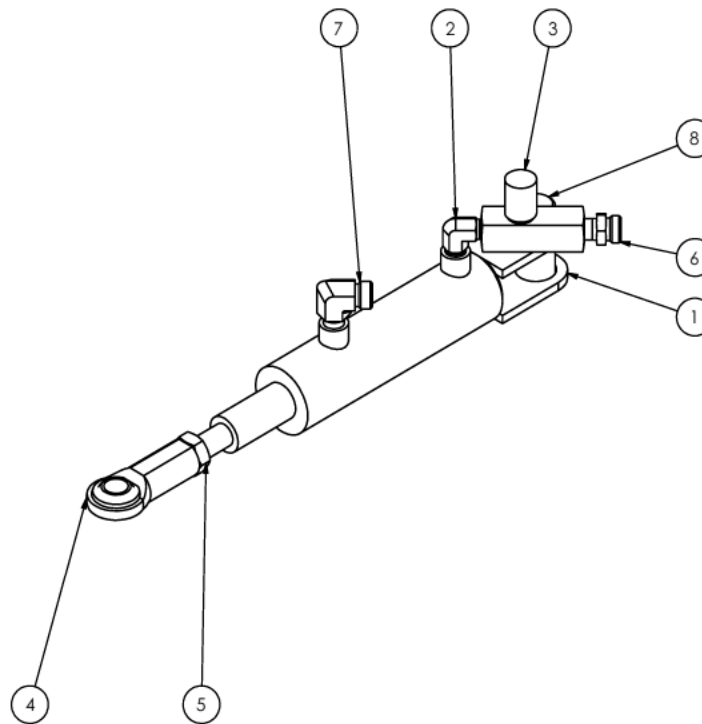
204U73 - HOPPER. CUMMINS



Section 3 - Hopper

204L20 - HOPPER DOOR LATCH CYLINDER

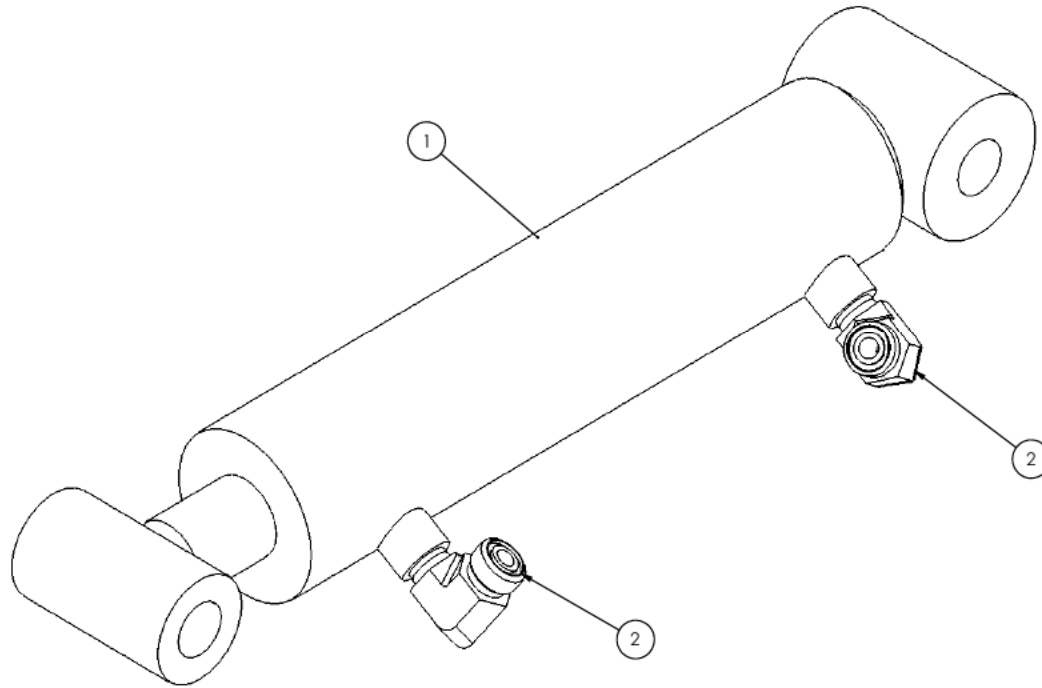
ITEM NO.	PART NUMBER	DESCRIPTION	QTY.
1	520939	HOPPER DOOR LATCH CYLINDER	1
2	21740	ELBOW, 90°, 1/4 NPT X 1/4 NPT MALE	1
3	21571	VALVE, 1/4" FLOW CONTROL	1
4	5207160	5/8-18 ROD END DRILLED & TAPPED	1
5	31876	NUT, 5/8-11 HEX JAM	1
6	65632	ADAPTER, 3/8 MORFS X 1/4 NPT	1
7	65765	ELBOW, 90° 3/8 MORFS X 1/4 NPT	1
8	60669	CLEVIS PIN, 1" DIA, 2" USABLE	1



Section 3 - Hopper

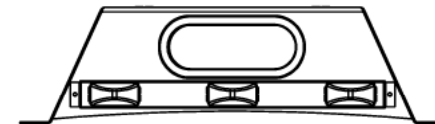
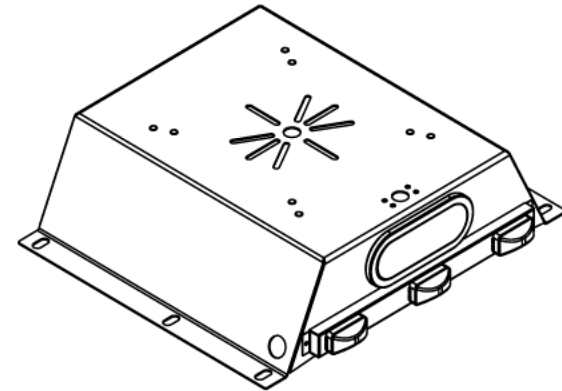
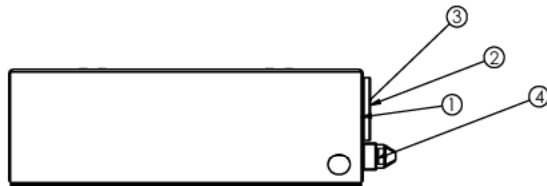
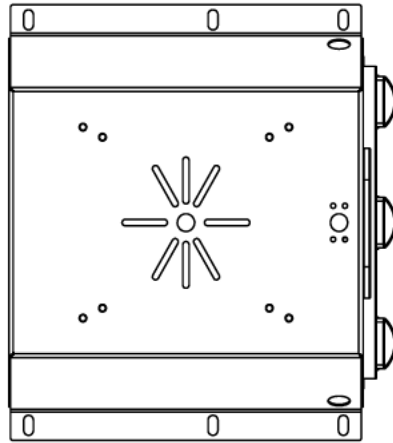
204R39 - DUMP DOOR CYLINDER

ITEM NO.	PART NUMBER	QTY.	DESCRIPTION
1	20930	1	CYLINDER, 2 X 7, DUMP DOOR
2	65765	2	ELBOW, 90° 3/8 MORFS X 1/4 NPT



Section 3 - Hopper

204Q77 - BRAKE LIGHT REAR CENTER



ITEM NO.	PART NUMBER	QTY.	DESCRIPTION
1	524095	1	HOPPER BEACON BRACKET, LED OVA
2	59875	1	GROMMET, OVAL 6"
3	55625	1	LIGHT, 6.5" WIDE, RED LED
4	62520	1	LIGHT, BAR RED. LED

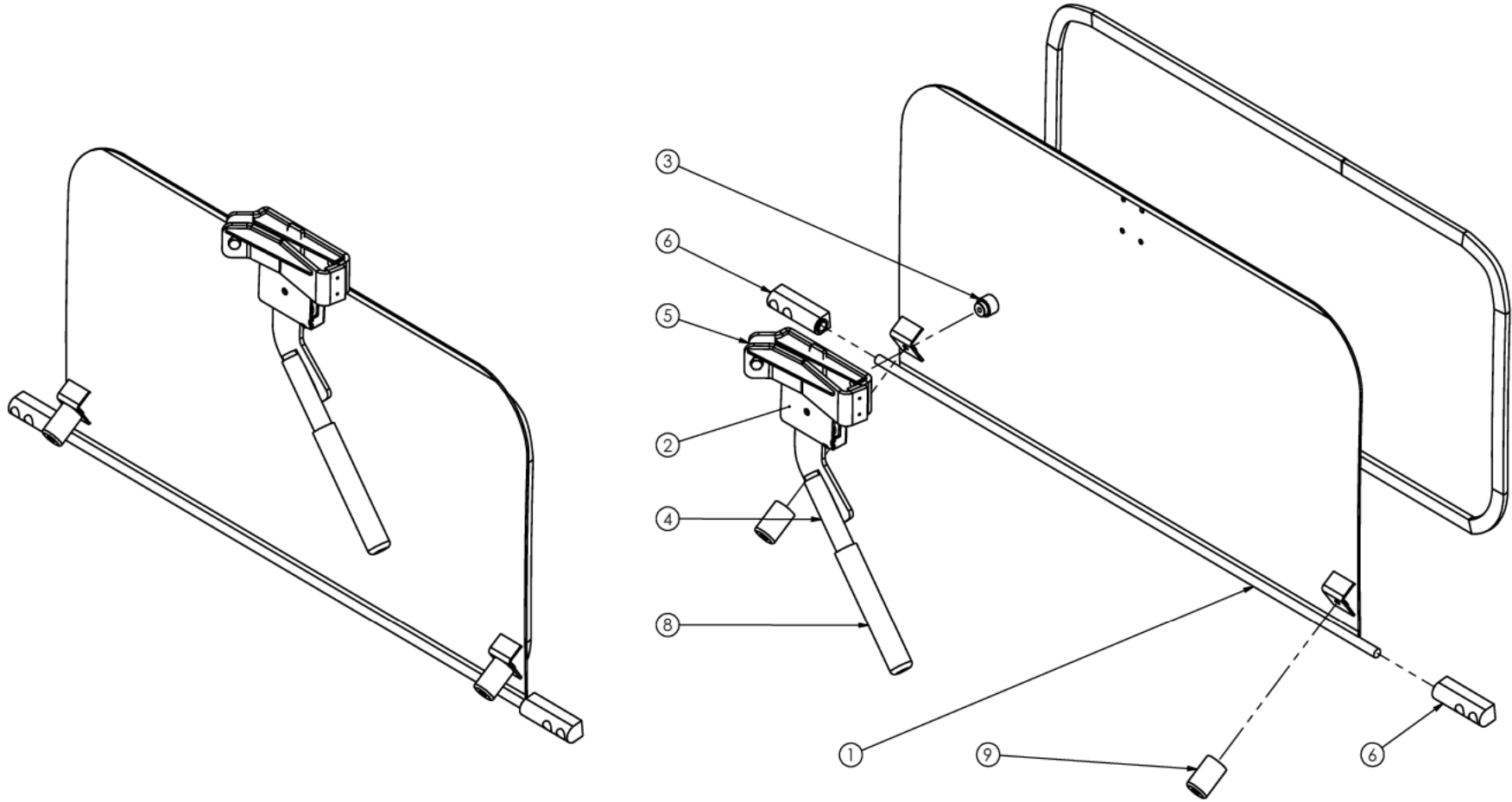
ITEMS NOT SHOWN

ITEM NO.	PART NUMBER	QTY.	DESCRIPTION
5	28731	1	PIGTAIL, RED, WHITE, & BLACK
6	64596	1	CONNECTOR, 4 WAY RECEPTACLE
7	64612	1	WEDGELOCK, DT, 4POS RECEPT
8	20313	2	WIRE, 14 GA-RED
9	20311	2	WIRE, 14 GA-BLACK
10	21647	2	WIRE, 18 GA-ORANGE
11	20312	2	WIRE, 14 GA-BROWN

Section 3 - Hopper

204M94 - HOPPER INSPECTION DOOR, ROAD SIDE

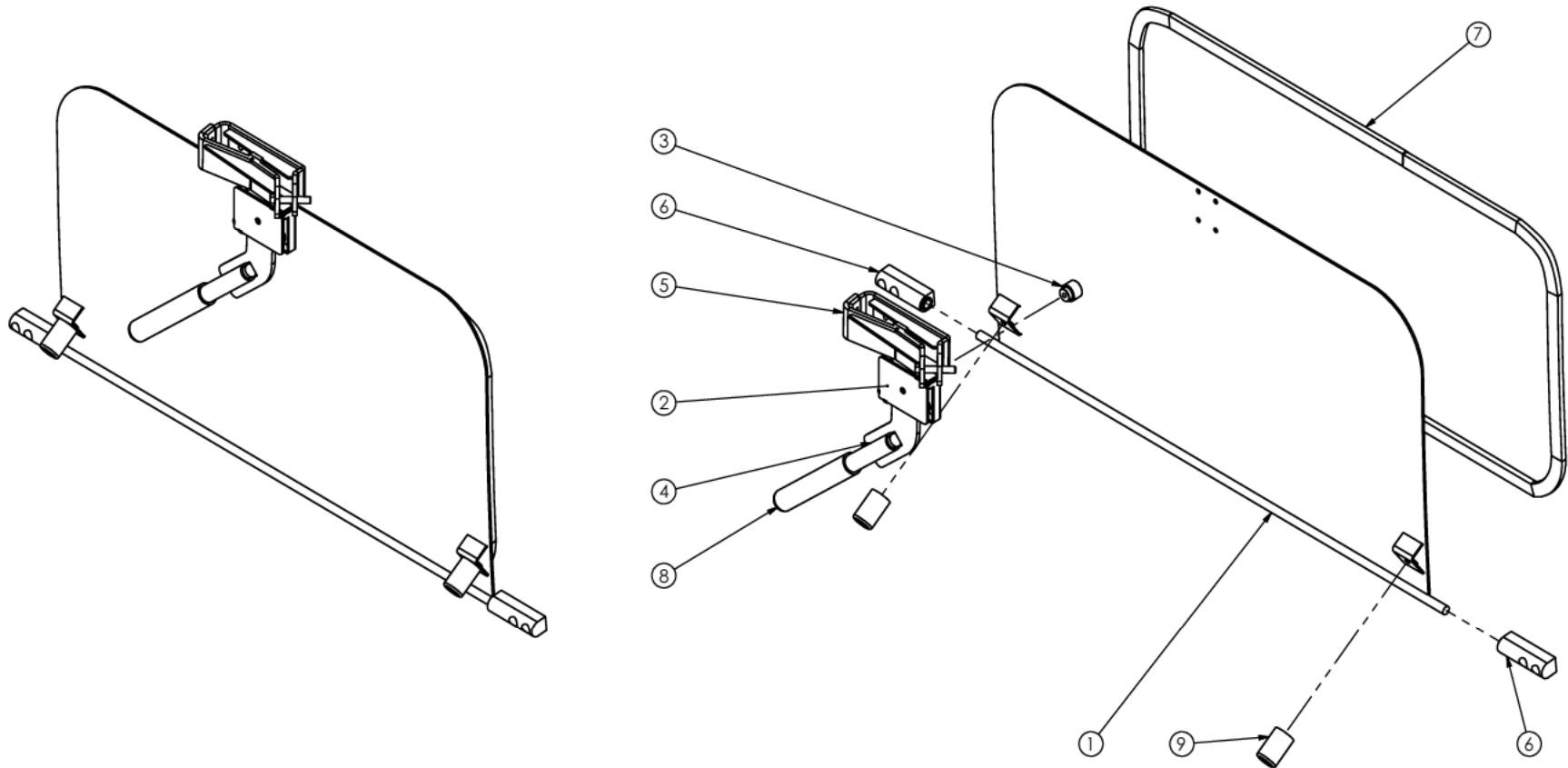
ITEM NO.	PART NUMBER	DESCRIPTION	QTY.
1	525303	HOPPER,INSP DOOR WLMT,A7,3CR12	1
2	525296	LATCH HOUSING, ROAD SIDE	1
3	5222279	LATCH PIVOT PIN	1
4	525301	LATCH ARM WELDMENT, ROAD SIDE	1
5	525302	LATCHRECEIVER WLDMNT,ROAD SIDE	1
6	29279	ALUMINUM HINGE, LONG	2
7	64745-97	SEAL D PROFILE EPDM 60	1
8	65398	DOOR HANDLE SAFETY COVER	1
9	29437	BUMPER,RUBBER 1.25 D X 1.875 L	2



Section 3 - Hopper

204M95 - HOPPER INSPECTION DOOR, CURB SIDE

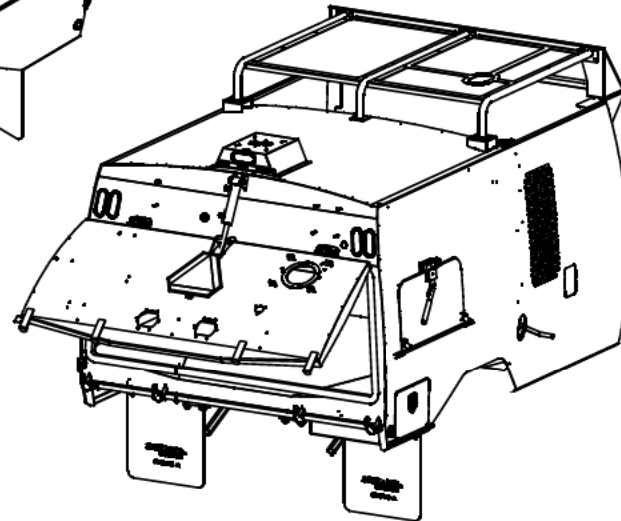
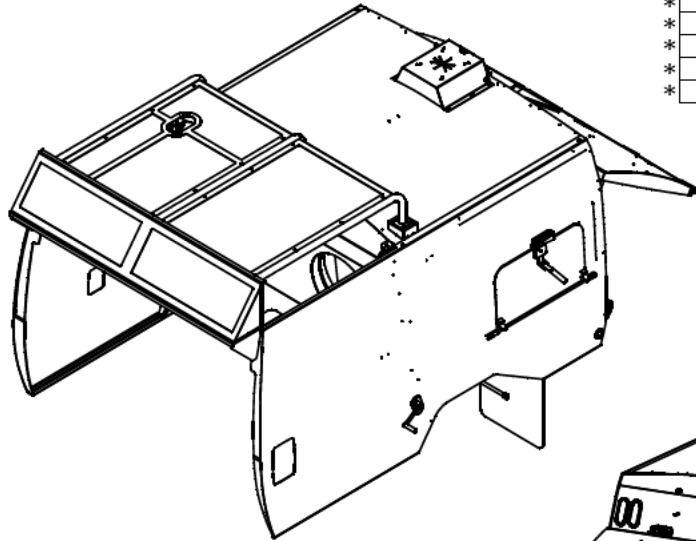
ITEM NO.	PART NUMBER	DESCRIPTION	QTY.
1	525303	HOPPER,INSP DOOR WLMT,A7,3CR12	1
2	525307	LATCH HOUSING, CURB SIDE	1
3	5222279	LATCH PIVOT PIN	1
4	525310	LATCH ARM WELDMENT, CURB SIDE	1
5	525308	LATCHRECEIVER WLDMNT,CURB SIDE	1
6	29279	ALUMINUM HINGE, LONG	2
7	64745-97	SEAL D PROFILE EPDM 60	1
8	65398	DOOR HANDLE SAFETY COVER	1
9	29437	BUMPER,RUBBER 1.25 D X 1.875 L	2



Section 3 - Hopper

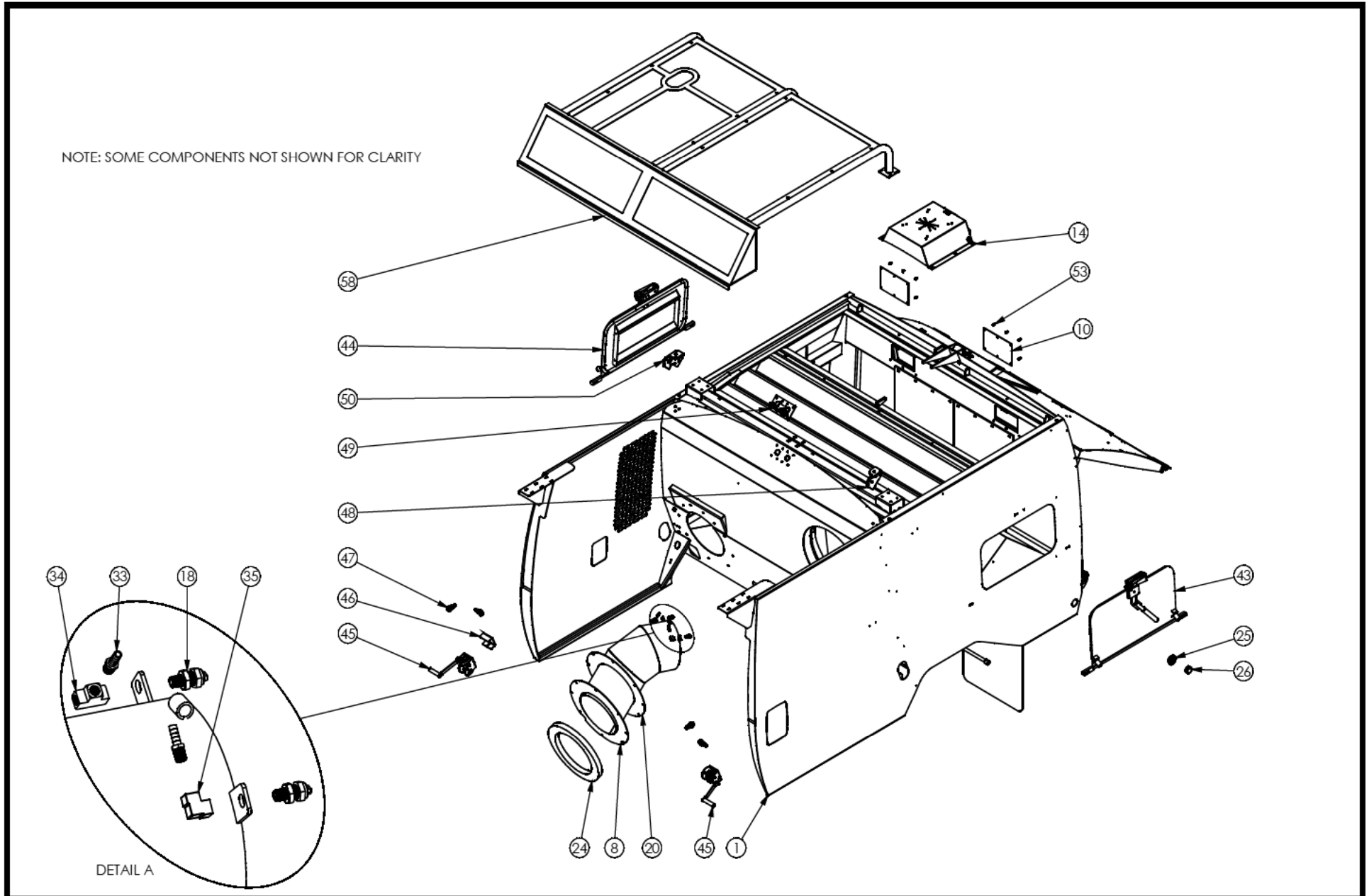
204U79 - HOPPER. RDD, SS

ITEM NO.	PART NUMBER	QTY.	DESCRIPTION	ITEM NO.	PART NUMBER	QTY.	DESCRIPTION
46	5222381	1	STND OFF, WINCH, RH, A7 T3, 3CR12	1	525840	1	WELD, HOPPER, RDD, A7T, 3CR12
47	20218	8	PULLEY BLOCK	2	525144	1	DOOR, SEPARATOR, A7T, 3CR12
48	525327	1	WLD, GUIDE, CBLE, A7, DDS, LH, 3CR12	3	5221955	1	HOP PROP LTCH HK, A7T, 3CR12
49	525326	1	WLD, CTR CBL GUIDE, DD-S, 3CR12	4	204R39	1	CYLINDER, DUMP DOOR, A7T
50	525325	1	WELD, GUIDE, CABLE, A7, DD-S, 3CR12	5	5204418	2	PIN, DOOR, CYLINDER
51	525187	1	FRAME, DDS, A7T, 3CR12	6	22267	4	CLIP, 3/4" E
52	525189	1	SCREEN, FRONT D/D, A7T, 3CR12	7	22738	4	CLIP, 1-3/16" E
53	34033	12	RD HD SCREW, 5/16 X 5/8, SS	8	523156	1	TUBE HOPPER INTAKE BOLT-IN A7
54	525188	1	SCREEN, REAR, D/D, A7T, 3CR12	9	59875	4	GROMMET, OVAL 6"
55	28727	6	PIN CLEVIS, 3/8 X 1-1/2"	10	5221951	2	PL, COVER, WIRE RUN, A7T, 3CR12
56	28726	4	RETAINER, SNAP (SAFETY)	11	24029	4	MUDFLAP, 24 X 24 X 1/4
57	5207106	1	MAT, TOOL BOX	12	28458	2	ALUMINUM HINGE, SHORT
58	204U72	1	INSTALL, CUMMINS LIMB GUARD	13	5221952	1	COVER, HOP TOOLBOX, A7T, 3CR12
* 59	26632-292	1	HOSE, 3/8 WATER HOPPER	14	204Q76	1	BRAKE LIT, REAR CNTR, 3CR12
* 60	26632-24	1	HOSE, 3/8 WATER HOPPER	15	20814-3	8	CHAIN, 1/4" 3 LINKS
* 61	204L08	1	KIT, HOSE HOPPER LIFT A7 & A9	16	525171	1	HOP DUMP DOOR, A7T, T4F, 3CR12
* 62	204L09	1	KIT, HOSE REAR DOOR A7	17	520479	1	HOPPER DOOR PROP A7000
* 63	21824	2	CLAMP, 3/16" CABLE	18	203G42	2	SPRAY TIP ASSEMBLY, A7000 HOPP
* 64	54205	2	KNOB, 1/2-20 THD'D.	19	21456	1	SIGN, TRIANGLE WARNING
			* COMPONENTS NOT SHOWN	20	29494	1	SEAL, BOLT-IN INTAKE TUBE, A7000
				21	64660	1	DOOR FRAME, A7 SEAL
				22	21428-30	1	SEAL MATERIAL, 1/4 X 1-1/4, CUT TO 30"
				23	64745-56	1	SEAL D PROFILE EPDM 60
				24	54310	1	SEAL, INTAKE, A7000 BOLT-IN INTAKE TUBE
				25	23136	2	GROMMET, 2" MARKER LIGHT
				26	20779	2	LIGHT, LED, 2" RED, SIDE MARKR
				27	27875	1	1 1/2" NICKLE PLATED PLUG
				28	64846	1	LIGHT, STROBE - TURN SIGNAL #1
				29	64847	1	LIGHT, STROBE - TURN SIGNAL #2
				30	55625	2	LIGHT, 6.5" WIDE, RED LED
				31	23402	1	GROMMET, 1.5" I.D. X 2.125" O.D.
				32	204L20	1	CYL, HOPPER DOOR LATCH A7 & A9
				33	26930	3	HOSE BARB 1/4 MPT X 3/8 HOSE
				34	20141	1	FEMALE TEE, ECONO NPTF, 1/4"
				35	24087	1	ELBOW, 90 DEG., 1/4 FPT X 1/4 FPT
				36	525147	1	HOP, TOOLBOX DOOR, A7T, 3CR12
				37	29138	1	T-HANDLE LATCH
				38	520311	2	HOPPER, MTG, PIN
				39	525186	2	WLD HNG, DD, A7, TF4, SS 3CR12
				40	5214014	2	DUMP DOOR HINGE PIN
				41	5222222	1	A7, DOOR PROX PLATE, T4
				42	61704	1	TURCK PRX SWITCH & BRKT
				43	204M94	1	INSPECTION DOOR ASSY, ROAD SIDE
				44	204M95	1	INSPECTION DOOR ASSY, CURB SIDE
				45	23958	2	WINCH, RATCHET, 900 LBS



Section 3 - Hopper

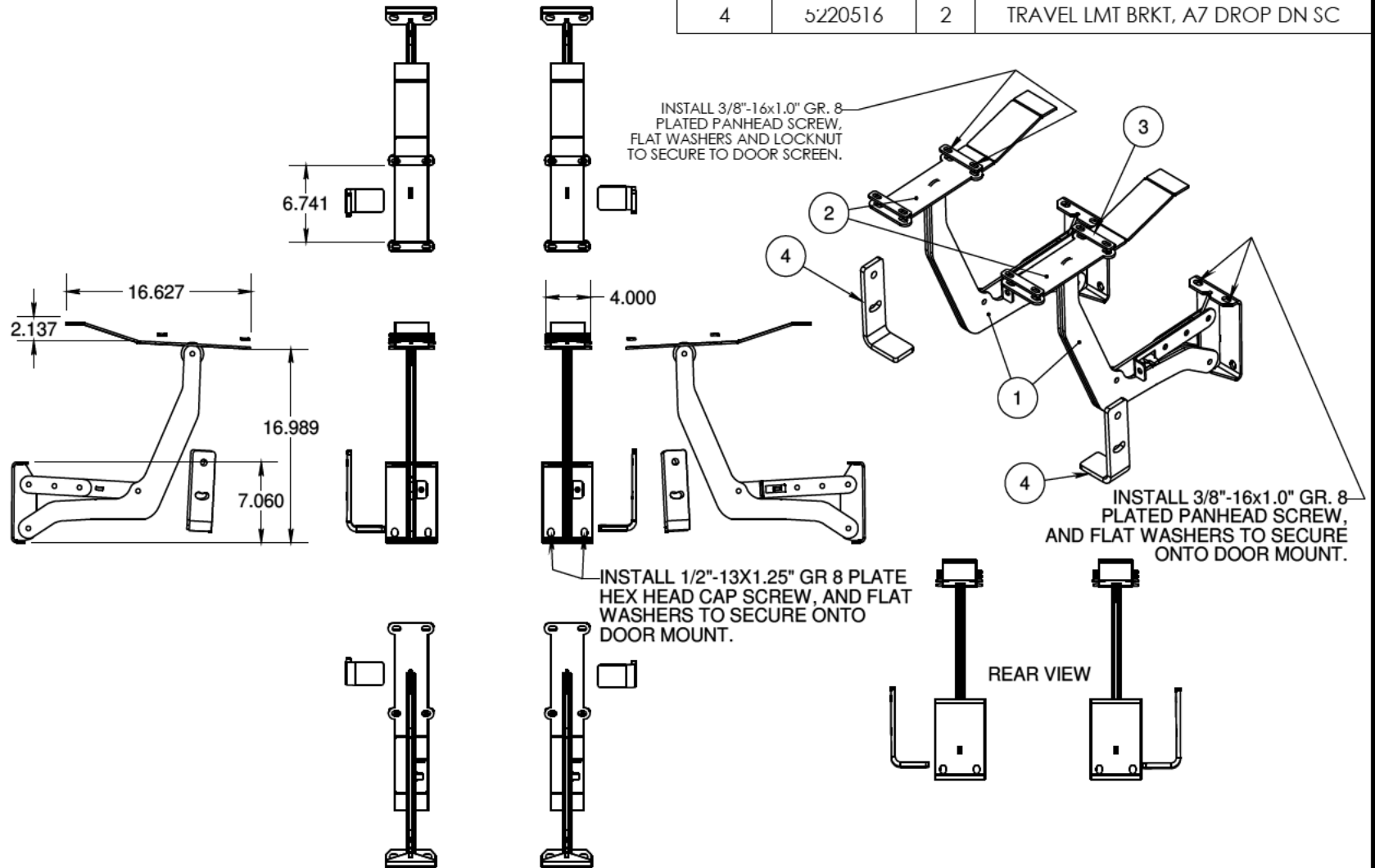
204U79 - HOPPER. RDD, SS



Section 3 - Hopper

204H25 - AUTO DROP DOWN SCREEN MOUNT

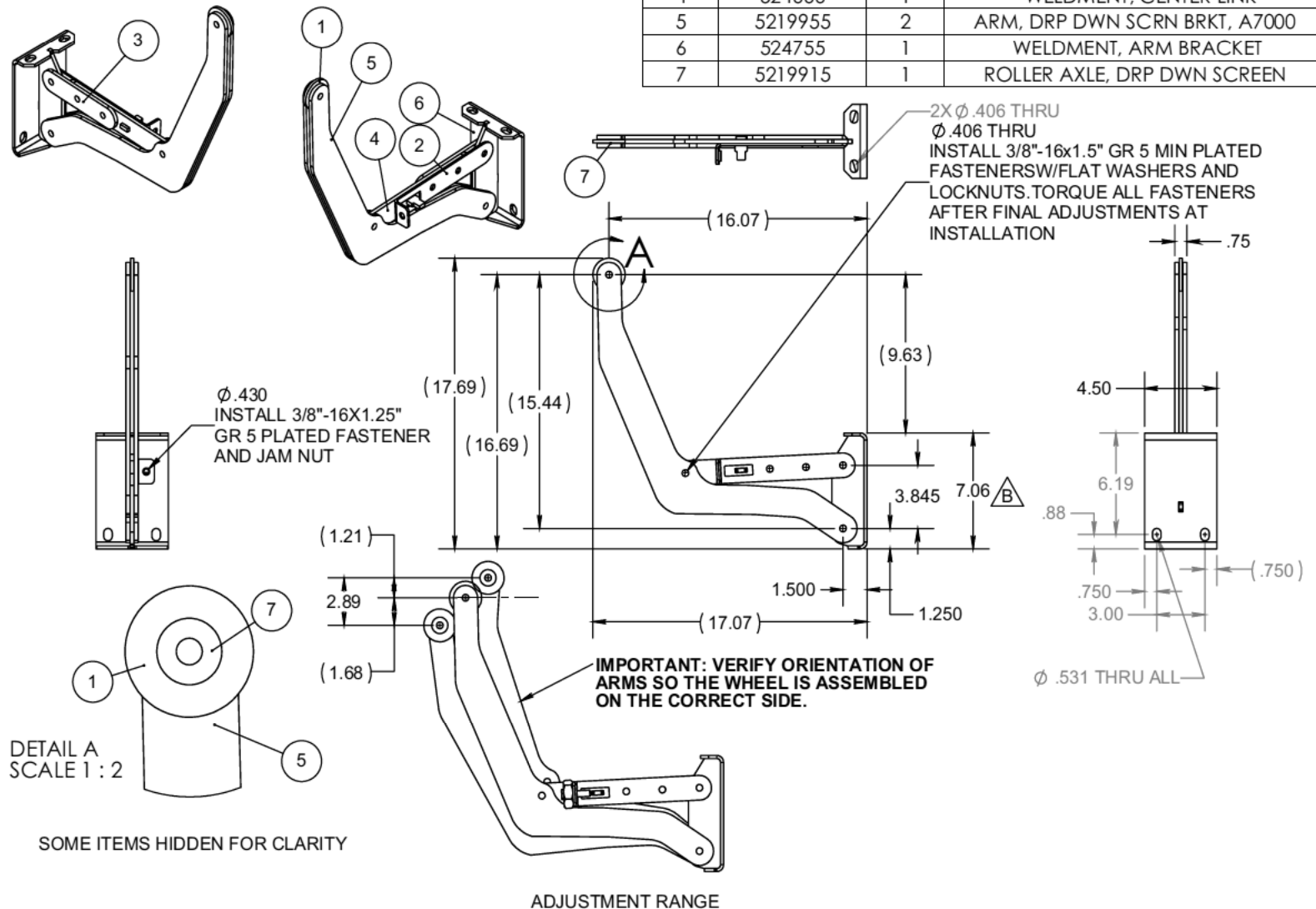
ITEM NO.	PART NUMBER	QTY.	DESCRIPTION
1	04H24	2	ARM ASSY, A7 DRP DWN SCR N BRCK
2	21537	2	SLIDER PLATE,DROP DOOR,A7
3	21373	4	SLIDER BOLT PLATE,AUTO SCREEN
4	5220516	2	TRAVEL LMT BRKT, A7 DROP DN SC



Section 3 - Hopper

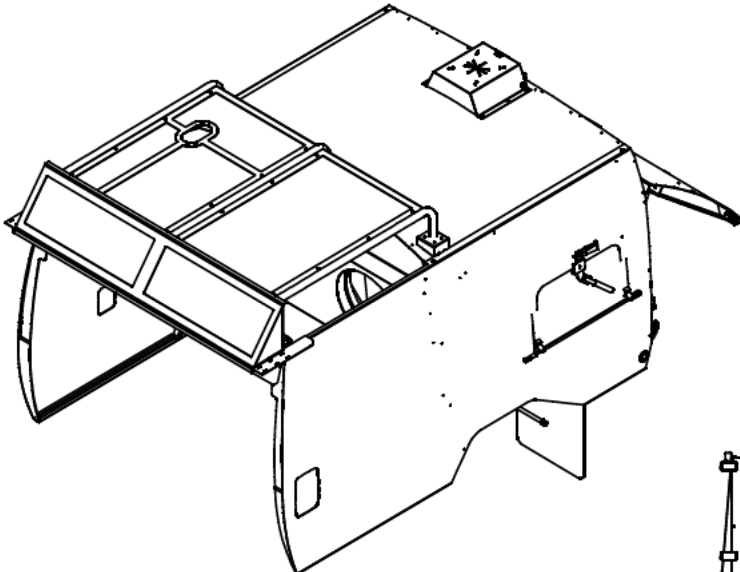
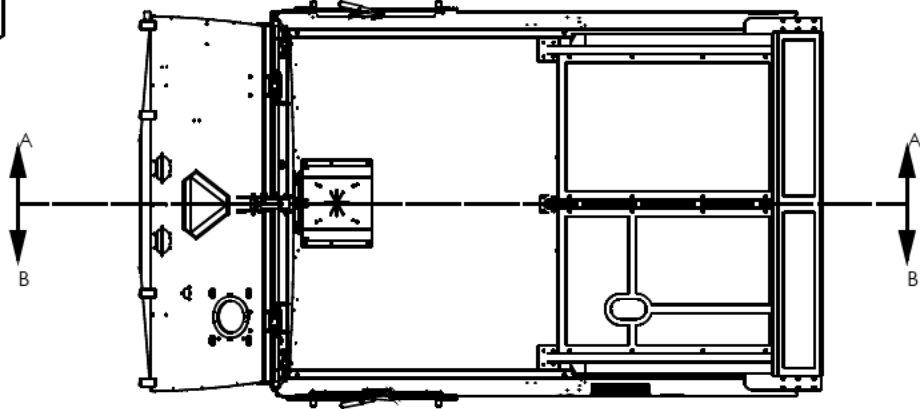
204H24 - AUTO DROP DOWN SCREEN ARM

ITEM NO.	PART NUMBER	QTY.	DESCRIPTION
1	5219911	1	ROLLER, DRP DWN SCRNN BRKT
2	524667	1	WELDMENT, STOP LINKAGE
3	5219906	1	FIXED LINKAGE, DROP SCRNN BRKT
4	524666	1	WELDMENT, CENTER LINK
5	5219955	2	ARM, DRP DWN SCRNN BRKT, A7000
6	524755	1	WELDMENT, ARM BRACKET
7	5219915	1	ROLLER AXLE, DRP DWN SCREEN



Section 3 - Hopper

204U75 - HOPPER. CUMMINS SS

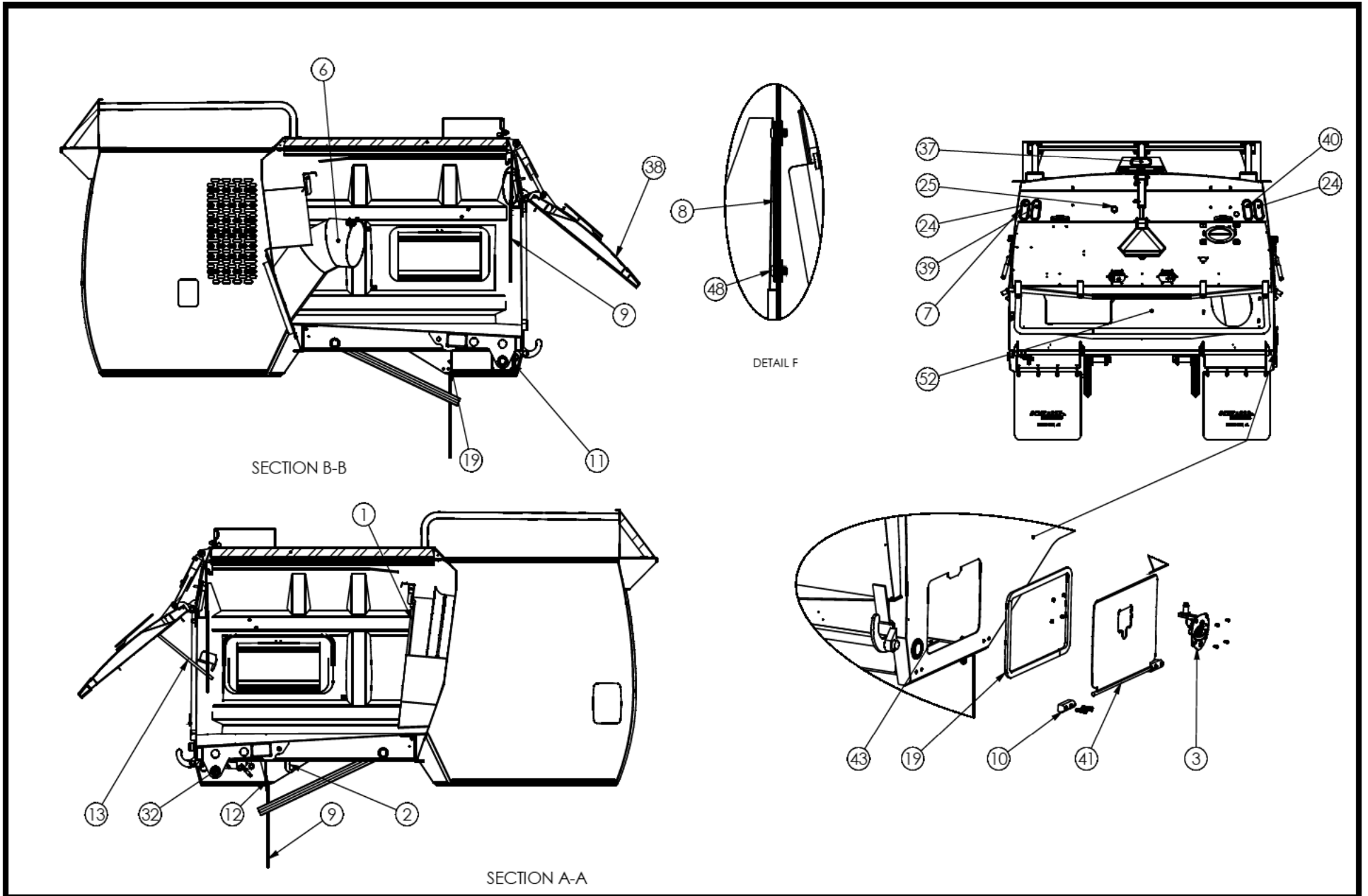
ITEM NO.	PART NUMBER	DESCRIPTION	QTY.
1	522628	WELD, SEPERATOR DOOR, A7	1
2	5201914	HOPPER PROP LATCH HOOK, A7,	1
3	29138	T-HANDLE LATCH	1
4	5204418	PIN,DOOR,CYLINDER	2
5	22267	CLIP,3/4" E	4
6	523156	TUBE HOPPER INTAKE BOLT-IN A7	1
7	59875	GROMMET, OVAL 6"	4
8	5204414	PLATE,COVER,WIRE RUN	2
9	24029	MUDFLAP, 24 X 24 X 1/4	4
10	28458	ALUMINUM HINGE, SHORT	2
11	5215010	COVER,HOPPER TOOLBOX,A7000	1
12	20814-3	CHAIN,1/4" 3 LINKS	8
13	520479	HOPPER DOOR PROP A7000	1
14	203G-42	SPRAY TIP ASSEMBLY A7000 HOPP	2
15	21456	SIGN,TRIANGLE WARNING	1
16	29494	SEAL,BOLT-IN INTAKE TUBE,A7000	1
17	64660	DOOR FRAME, A7 SEAL	1
18	21428-30	SEAL MATERIAL,1/4 X 1-1/4,CUT TO 30"	1
19	64745-56	SEAL D PROFILE EPDM 60	1
20	54310	SEAL,INTAKE,A7000 BOLT-IN INTAKE TUBE	1
21	23136	GROMMET, 2" MARKER LIGHT	2
22	20779	LIGHT, LED, 2" RED, SIDE MARKR	2
23	27875	1 1/2" NICKLE PLATED PLUG	1
24	55625	LIGHT, 6.5" WIDE, RED LED	2
25	23402	GROMMET,1.5" I.D. X 2.125" O.D.	1

ITEM NO.	PART NUMBER	DESCRIPTION	QTY.
* 26	204L20	CYL. HOPPER DOOR LATCH A7 & A9	1
* 27	26632-292	HOSE, 3/8 WATER HOPPER	1
* 28	26632-24	HOSE, 3/8 WATER HOPPER	1
29	26930	HOSE BARB 1/4 MPT X 3/8 HOSE	3
30	20141	FEMALE TEE, ECONO NPTF, 1/4"	1
31	24087	ELBOW, 90 DEG., 1/4 FPT X 1/4 FPT	1
32	520311	HOPPER, MTG, PIN	2
33	525054	WELD, SS HINGE, D/D, A9-08	2
34	5214014	DUMP DOOR HINGE PIN	2
35	204R39	CYLINDER, DUMP DOOR, A7T	1
36	22738	CLIP, 1-3/16" E	4
37	204G77	BRAKE LIGHT, REAR CENTER ASSY	1
38	525104	HOPPER,DUMP DOOR,A7	1
39	64846	LIGHT, STROBE - TURN SIGNAL #1	1
40	64847	LIGHT, STROBE - TURN SIGNAL #2	1
41	525147	HOP, TOOLBOX DOOR, A7T,3CR12	1
* 42	204L08	KIT, HOSE HOPPER LIFT A7 & A9	1
43	5207106	MAT, TOOL BOX	1
44	61704	TRUCK PRX SWITCH & BRKT	1
45	5222222	A7, DOOR PROX PLATE, T4	1
46	204M94	INSPECTION DOOR ASSY,ROAD SIDE	1
47	204M95	INSPECTION DOOR ASSY,CURB SIDE	1
48	34033	RD HD SCREW, 5/16 X 5/8, SS	11
* 49	204L09	KIT, HOSE REAR DOOR A7	1
* 50	67175	ADH,RTV SILI CONE,HIGH STRENGT	3
51	204U72	INSTALL_CUMMINS LIMB GUARD	1
52	525837	WELD, HOPPER, A7T, T4F, 3CR12	1
* 53	29256	KIT, HOPPER WATER SYSTEM	1

* ITEMS NOT SHOWN

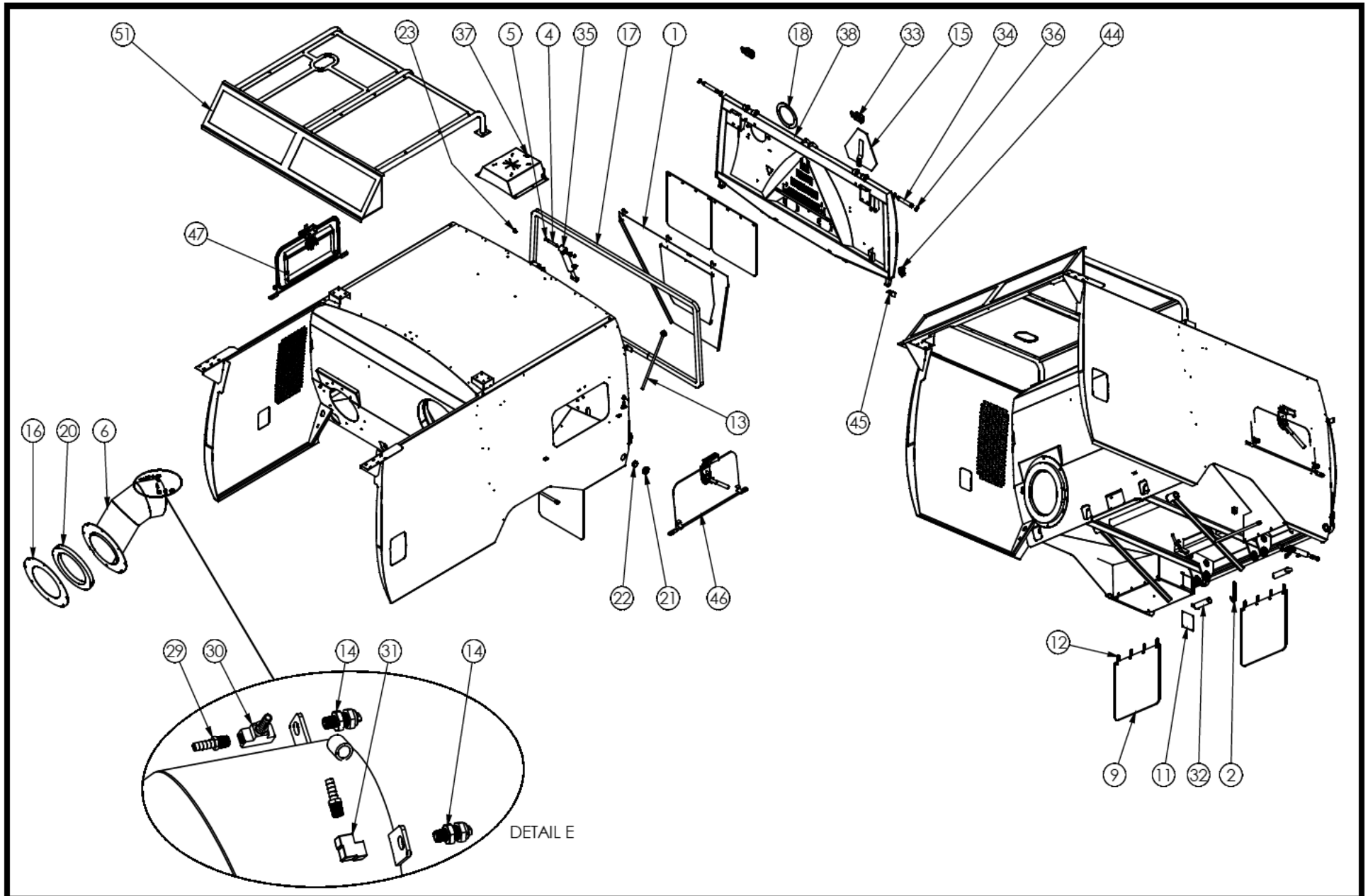
Section 3 - Hopper

204U75 - HOPPER. CUMMINS SS



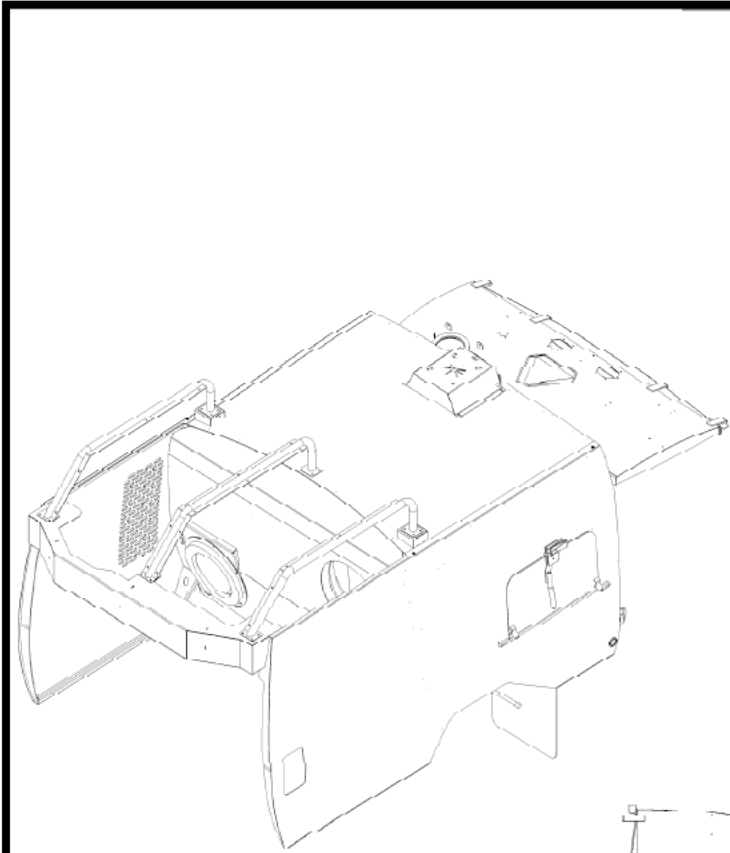
Section 3 - Hopper

204U75 - HOPPER. CUMMINS SS

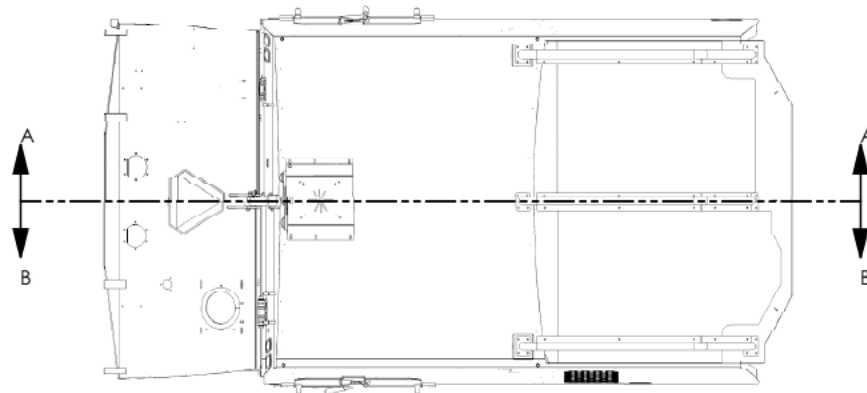


Section 3 - Hopper

204L97 - HOPPER, SS



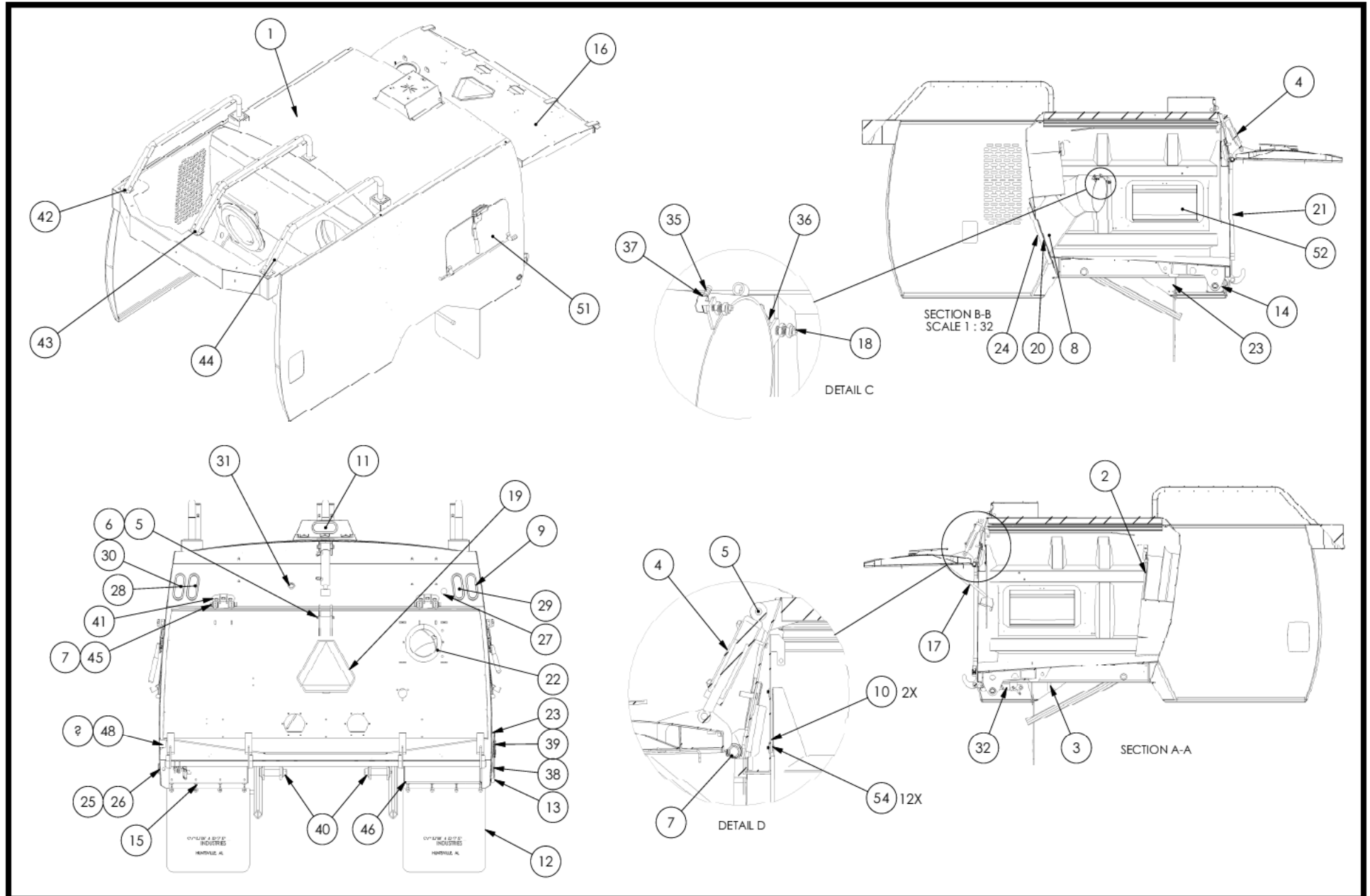
ITEM NO.	PART NUMBER	QTY.	DESCRIPTION	ITEM NO.	PART NUMBER	QTY.	DESCRIPTION
1	525170	1	WELD, HOPPER, A7I, T4F, 3CR12	21	64660	1	DOOR FRAME, A7 SEAL
2	525144	1	DOOR, SEPARATOR, A7I, 3CR12	22	21428-30	1	SEAL MATERIAL, 1/4 X 1-1/4, CUT TO 30"
3	5221955	1	HOP PROP LICH HK, A7I, 3CR12	23	64745-56	1	SEAL D PROFILE EPDM 60
4	204R39	1	CYLINDER, DUMP DOOR, A7I	24	54310	1	SEAL, INTAKE, A7000 BOLT-IN INTAKE TUBE
5	5204418	2	PIN, DOOR, CYLINDER	25	23136	2	GROMMET, 2" MARKER LIGHT
6	22267	4	CLIP, 3/4" E	26	20779	2	LIGHT, LED, 2" RED, SIDE MARKR
7	22738	4	CLIP, 1-3/16" E	27	27875	1	1 1/2" NICKLE PLATED PLUG
8	523156	1	TUBE HOPPER INTAKE BOLT-IN A7	28	64846	1	LIGHT, STROBE - TURN SIGNAL #1
9	59875	4	GROMMET, OVAL 6"	29	64847	1	LIGHT, STROBE - TURN SIGNAL #2
10	5221951	2	PL COVER, WIRE RUN, A7I, 3CR12	30	55625	2	LIGHT, 6.5" WIDE, RED LED
11	204Q76	1	BRAKE LIT, REAR CNTR, 3CR12	31	23402	1	GROMMET, 1.5" I.D. X 2.125" O.D.
12	24029	4	MUDFLAP, 24 X 24 X 1/4	32	204L20	1	CYL, HOPPER DOOR LATCH A7 & A9
13	28458	2	ALUMINUM HINGE, SHORT	33	26632-292	1	HOSE, 3/8 WATER HOPPER
14	5221952	1	COVER, HOP TOOLBOX, A7I, 3CR12	* 34	26632-24	1	HOSE, 3/8 WATER HOPPER
15	20814-3	8	CHAIN, 1/4" 3 LINKS	35	26930	3	HOSE BARB 1/4 MPT X 3/8 HOSE
16	525171	1	HOP, DUMP DOOR, A7I, T4F, 3CR12	36	20141	1	FEMALE TEE, ECONO NPTF, 1/4"
17	520479	1	HOPPER DOOR PROP A7000	37	24087	1	ELBOW, 90 DEG., 1/4 FPT X 1/4 FPT
18	203G42	2	SPRAY TIP ASSEMBLY, A7000 HOPP	38	525147	1	HOP, TOOLBOX DOOR, A7I, 3CR12
19	21456	1	SIGN, TRIANGLE WARNING	39	29138	1	T-HANDLE LATCH
20	29494	1	SEAL, BOLT-IN INTAKE TUBE, A7000	40	520311	2	HOPPER, MTG, PIN
				41	525186	2	WLD, HNG, DD, A7, TF4, SS 3CR12
				42	525110	1	ENGINE GUARD, LH WELD, A7
				43	525111	1	ENGINE GUARD, MIDDLE WELD, A7
				44	525112	1	ENGINE GUARD, RH WELD, A7
				45	5214014	2	DUMP DOOR HINGE PIN
				46	5207106	1	MAT, TOOL BOX
				* 47	204L09	1	KIT, HOSE REAR DOOR A7
				48	522222	1	A7, DOOR PROX PLATE, T4
				49	61704	1	TURCK PRX SWITCH & BRKT
				51	204M94	1	INSPECTION DOOR ASSY, ROAD SIDE
				52	204M95	1	INSPECTION DOOR ASSY, CURB SIDE
				* 53	66154	1	DECAL, HOPPER, LIFETIME
				54	34033	12	SCREW, 5/16-18 X 1, ROUND HD



* SOME COMPONENTS NOT SHOWN

Section 3 - Hopper

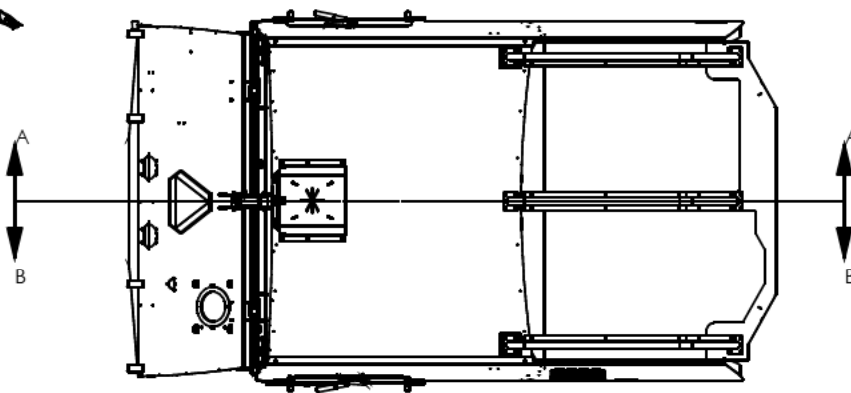
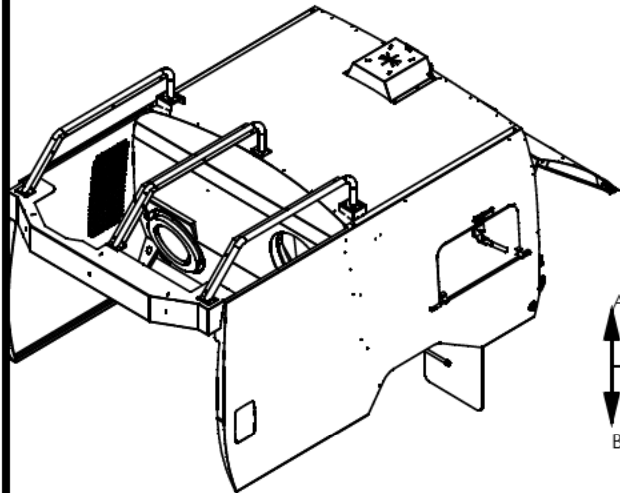
204L97 - HOPPER, SS



Section 3 - Hopper

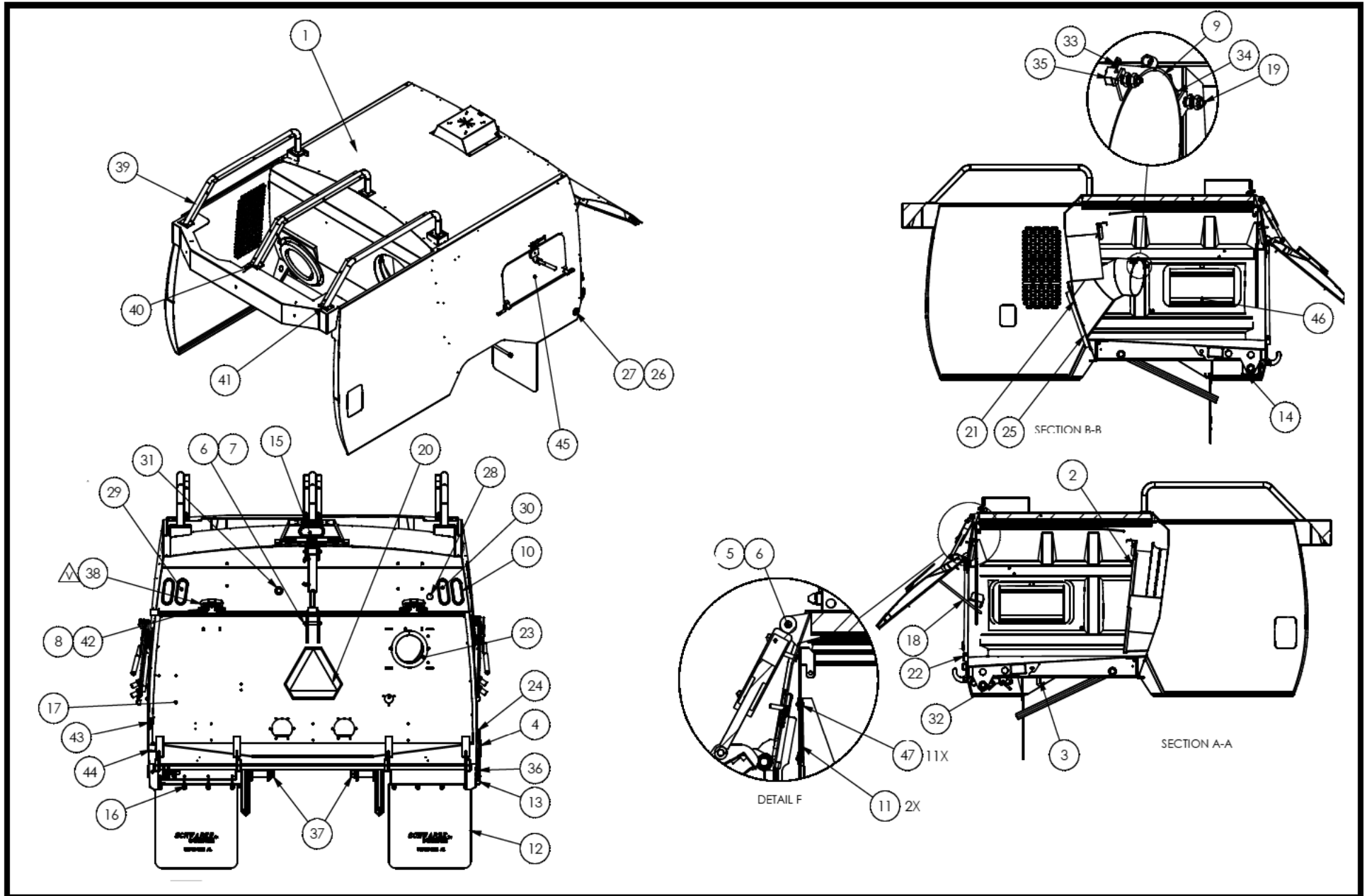
204L90 - HOPPER, MS

ITEM NO.	PART NUMBER	QTY.	DESCRIPTION	ITEM NO.	PART NUMBER	QTY.	DESCRIPTION
1	525179	1	WELD, HOPPER, A7T, T4F, MS	28	27875	1	1 1/2" NICKLE PLATED PLUG
2	522628	1	WELD, SEPERATOR DOOR, A7	29	64846	1	LIGHT, STROBE - TURN SIGNAL #1
3	5201914	1	HOPPER PROP LATCH HOOK, A7,	30	64847	1	LIGHT, STROBE - TURN SIGNAL #2
4	29138	1	T-HANDLE LATCH	31	23402	1	GROMMET, 1.5" I.D. X 2.125" O.D.
5	204R39	1	CYLINDER, DUMP DOOR, A7T	32	204L20	1	CYL. HOPPER DOOR LATCH A7 & A9
6	5204418	2	PIN, DOOR, CYLINDER	33	26930	3	HOSE BARB 1/4 MPT X 3/8 HOSE
7	22267	4	CLIP, 3/4" E	△ 34	20141	1	FEMALE TEE, ECONO NPTF, 1/4"
8	22738	4	CLIP, 1-3/16" E	35	24087	1	ELBOW, 90 DEG., 1/4 FPT X 1/4 FPT
9	523156	1	TUBE HOPPER INTAKE BOLT-IN A7	36	525147	1	HOP, TOOLBOX DOOR, A7T, 3CR12
10	59875	4	GROMMET, OVAL 6"	△ 37	520311	2	HOPPER, MTG, PIN
11	5204414	2	PLATE, COVER, WIRE RUN	△ 38	525054	2	WELD, SS HINGE, D/D, A9-08
12	24029	4	MUDFLAP, 24 X 24 X 1/4	39	525110	1	ENGINE GUARD, LH WELD, A7
13	28458	2	ALUMINUM HINGE, SHORT	40	525111	1	ENGINE GUARD, MIDDLE WELD, A7
14	5215010	1	COVER, HOPPER TOOLBOX, A7000	41	525112	1	ENGINE GUARD, RH WELD, A7
15	204Q77	1	BRAKE LIGHT, REAR CENTER ASSY	△ 42	5214014	2	DUMP DOOR HINGE PIN
16	20814-3	8	CHAIN, 1/4" 3 LINKS	43	61704	1	TURCK PRX SWITCH & BRKT
17	525104	1	HOPPER, DUMP DOOR, A7	44	5222222	1	A7, DOOR PROX PLATE, T4
18	520479	1	HOPPER DOOR PROP A7000	45	204M94	1	INSPECTION DOOR ASSY, ROAD SIDE
19	203G42	2	SPRAY TIP ASSEMBLY, A7000 HOPP	46	204M95	1	INSPECTION DOOR ASSY, CURB SIDE
20	21456	1	SIGN, TRIANGLE WARNING	47	34033	11	RD HD SCREW, 5/16 X 5/8, SS
21	29494	1	SEAL, BOLT-IN INTAKE TUBE, A7000	* COMPONENTS BELOW NOT SHOWN			
22	64660	1	DOOR FRAME, A7 SEAL				
23	21428-30	1	SEAL MATERIAL, 1/4 X 1-1/4, CUT TO 30"	ITEM NO.	PART NUMBER	QTY.	DESCRIPTION
24	64745-56	1	SEAL D PROFILE EPDM 60	△ 48	204L09	1	KIT, HOSE REAR DOOR A7
25	54310	1	SEAL, INTAKE, A7000 BOLT-IN INTAKE TUBE	△ 49	204L08	1	KIT, HOSE HOPPER LIFT A7 & A9
26	23136	2	GROMMET, 2" MARKER LIGHT	50	67175	3	ADH, RTV SILICONE, HIGH STRENGT
27	20779	2	LIGHT, LED, 2" RED, SIDE MARKR	△ 51	26632-292	1	HOSE, 3/8 WATER HOPPER
				52	26632-24	1	HOSE, 3/8 WATER HOPPER
				53	5207106	1	MAT, TOOL BOX
				54	55625	2	LIGHT, 6.5" WIDE, RED LED



Section 3 - Hopper

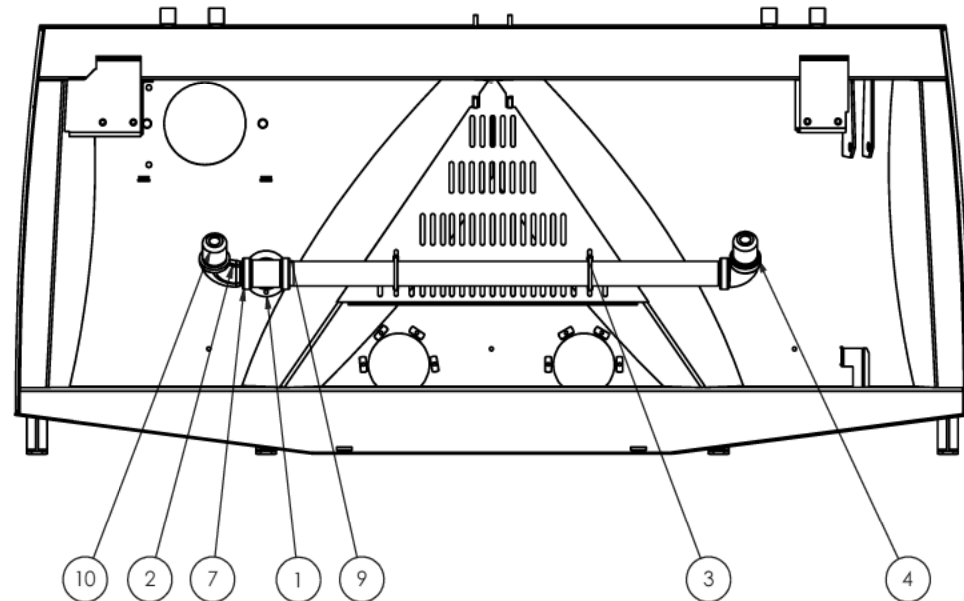
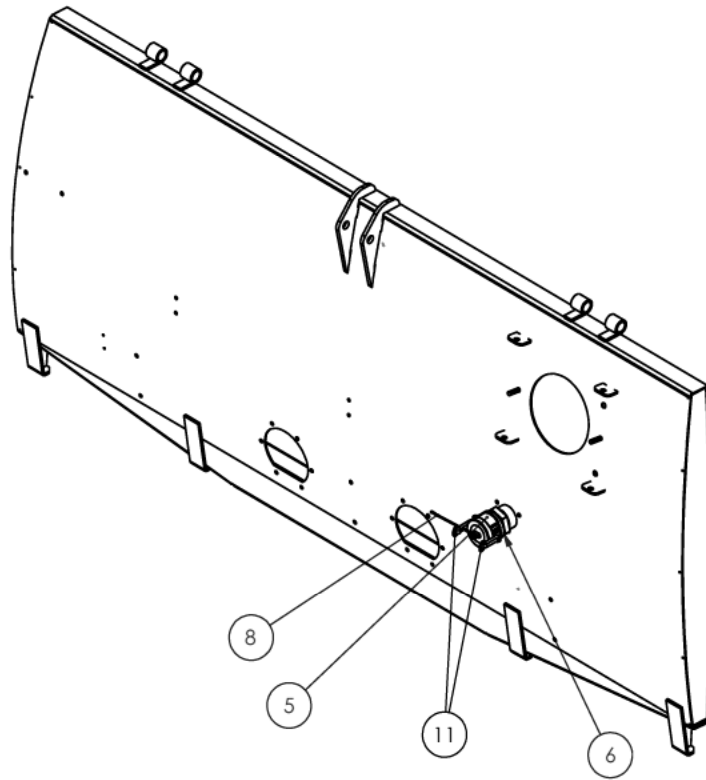
204L90 - HOPPER, MS



Section 3 - Hopper

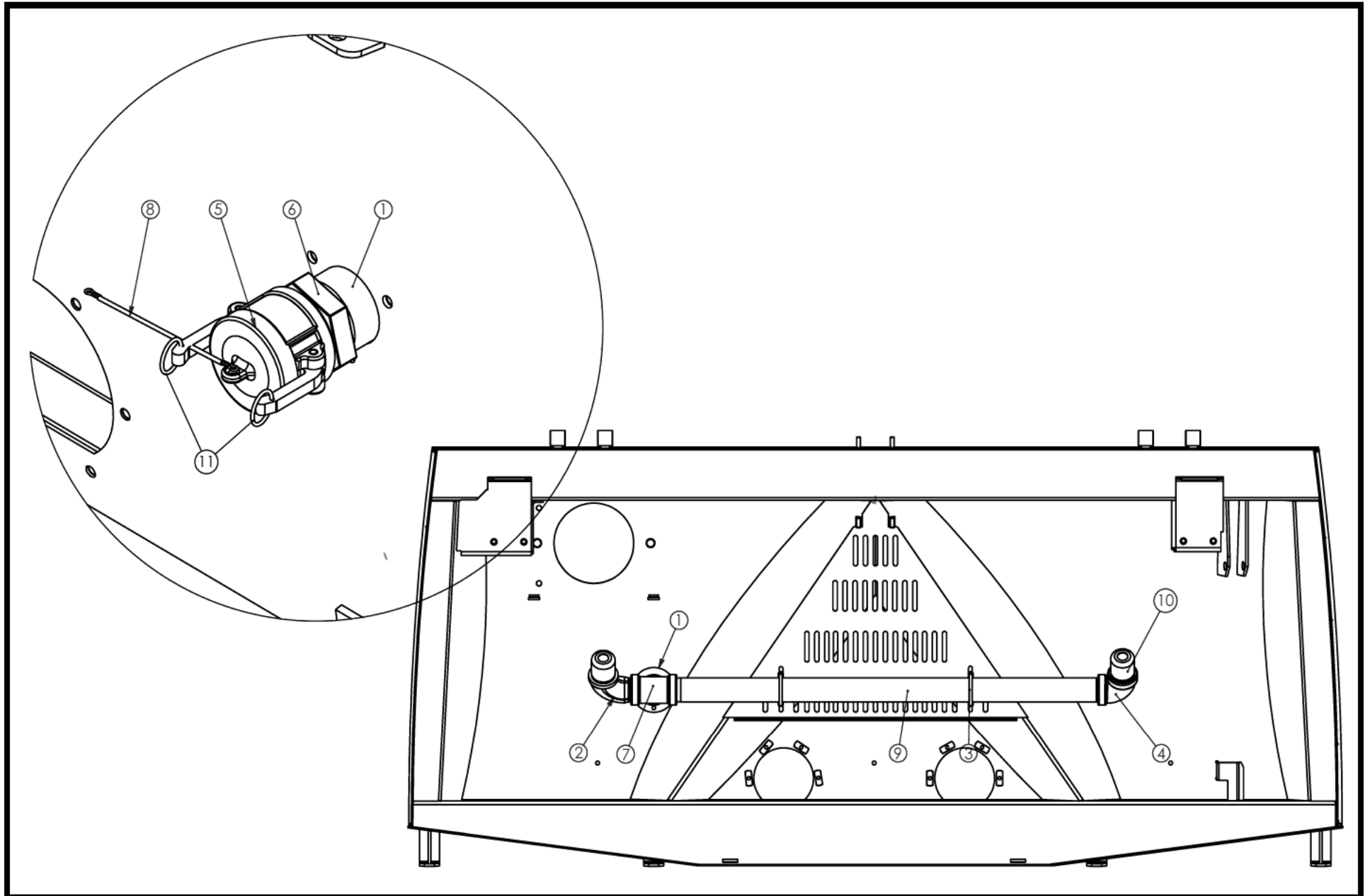
203B77 - HOPPER DELUGE

ITEM NO.	PART NUMBER	QTY.	DESCRIPTION
1	522659	1	DELUGE INLET PIPE (OPT)
2	20280	1	ELBOW, 90°, 2" NPT STREET
3	20831	2	CLAMP, 2 1/2" MUFFLER U-BOLT
4	20957	1	ELBOW, 2" NPT GALVANIZED
5	23643	1	DUST CAP, 2" WATER FILL
6	23644	1	CAM, 2.0 MALE LOCK
7	23646	1	TEE, 2" GALV
8	24075	1	LANYARD, 6"
9	5207723	1	TUBE, HORIZ, DELUGE
10	29071	2	NOZZLE, DISTRIBOJET 95 DEGREE
11	64274	2	KEY RING, SPLIT, 1"



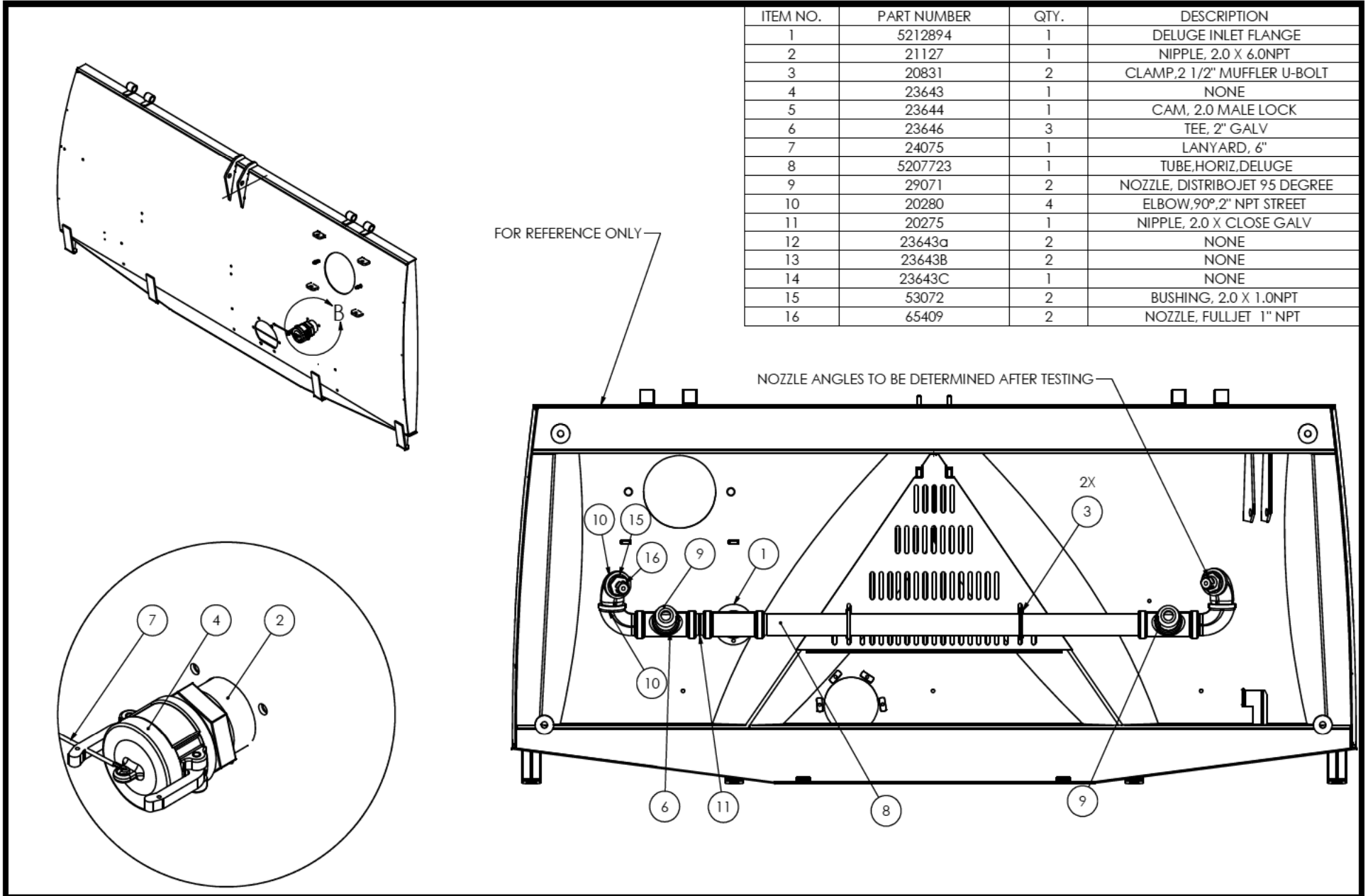
Section 3 - Hopper

203B77 - HOPPER DELUGE



Section 3 - Hopper

204G28 - HOPPER DELUGE 4 NOZZLES



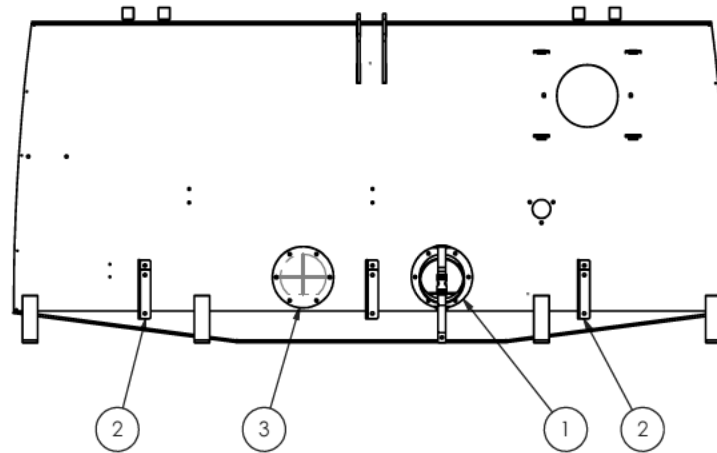
Section 3 - Hopper

203C36 - HOPPER DRAIN KIT

1	523050	1	6" SS DRAIN FLANGE
2	5213853	3	SPACER HAND HOSE A7 W/DRAIN
3	5219659	1	DRAIN COVER PLATE
4	65977	1	STRAP, CINCH 20", BUCKLE

ITEMS NOT SHOWN

ITEM NO.	PART NUMBER	QTY.	DESCRIPTION
6	24945	1	CLAMP, 6" SCREW TYPE
7	27454	3'	6" DRAIN HOSE BLUE
8	25947	2'	EPDM GASKET SEAL



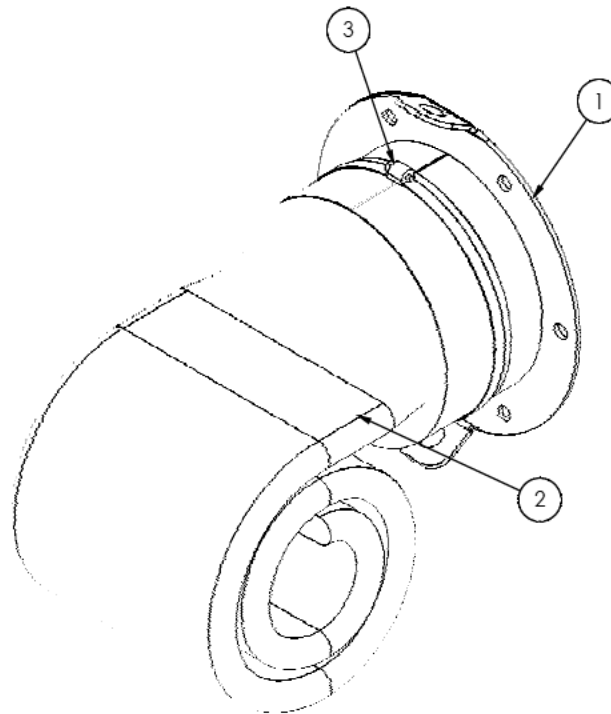
Section 3 - Hopper

204K28 - DUAL DRAIN, SS

ITEM NO.	PART NUMBER	QTY.	DESCRIPTION
1	523050	2	6" SS DRAIN FLANGE
2	27454	2	HOSE, 6 X 36
3	24945	2	HOSE CLAMP 6"

ITEMS NOT SHOWN

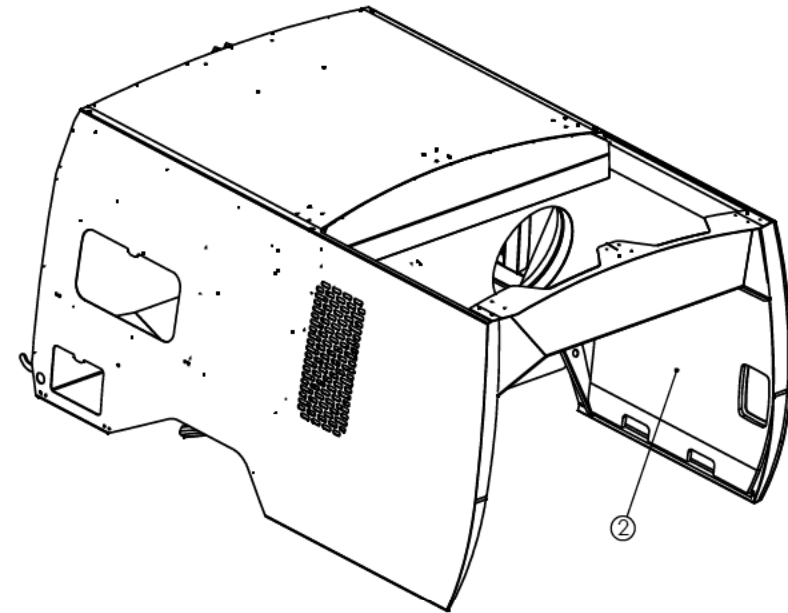
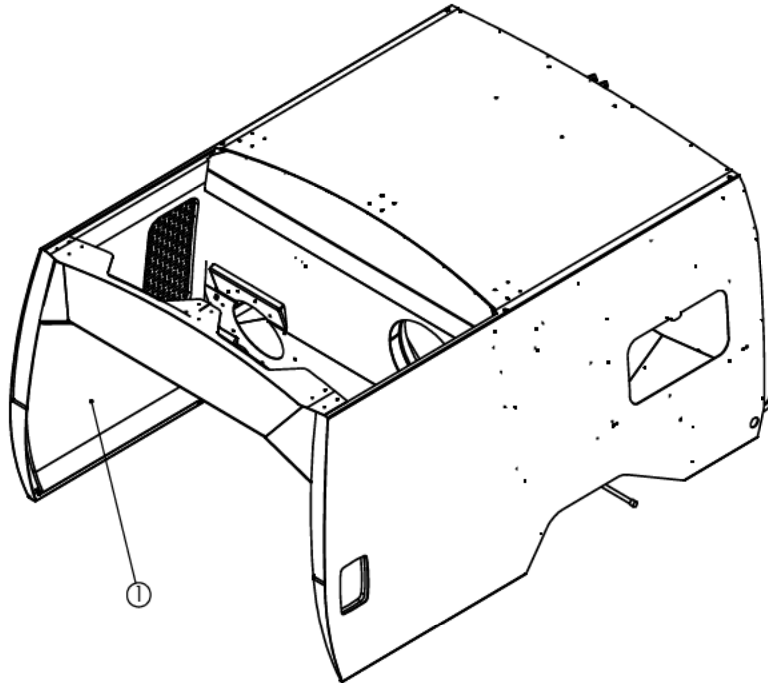
ITEM NO.	PART NUMBER	QTY.	DESCRIPTION
4	522841	1	DRAIN SCREEN WELDMENT, A7000
5	5213853	6	SPACER HAND HOSE A7 W/DRAIN
6	20457	4	S HOOK, 2-1/2"
7	20460	2	STRAP, 9", W/O HOOK



Section 3 - Hopper

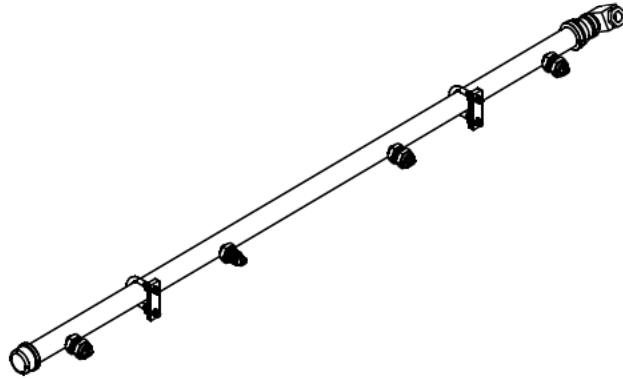
203640 - SOUND SUPPRESSION

ITEM NO.	PART NUMBER	QTY.	DESCRIPTION
1	26806	1	1" SOUNDFOAM 'M' UNISEAL BLACK
2	29260	1	1" SOUNDFOAM 'M' UNISEAL BLACK



Section 3 - Hopper

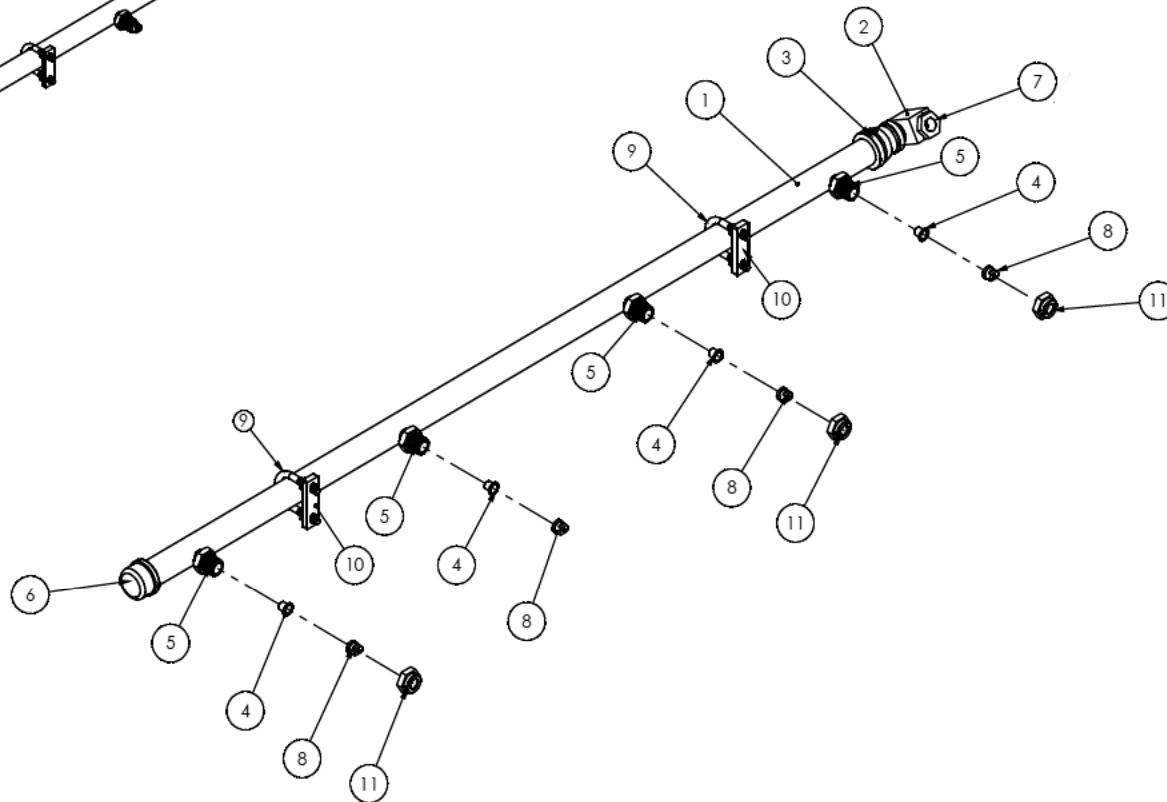
203681 - HOPPER SPRAY BAR, 4 NOZZLES



ITEM NO.	PART NUMBER	QTY.	DESCRIPTION
1	5207733	1	SPRAY BAR 42" HOPPER/HEAD
2	20972	1	ELBOW, 90° 1/2 NPT BRASS
3	21723	1	REDUCER, 1/2 X 3/4 BELL PIPE
4	66412	4	STRAINER, 50M BRASS, UNIJET
5	20408	4	MALE INLET 1/4 MPT
6	53067	1	CAP, 3/4
7	21342	1	REDUCER, 1/2 MNPT X 1/4 FNPT, BRASS
8	20406	4	SPRAY TIP, BRASS
9	32282	2	U-BOLT, 1/4-20 X 1-1/8
10	5216714	2	TIEBAR, 1/4" U-BOLT
11	20420	3	SPRAY TIP RETAINER

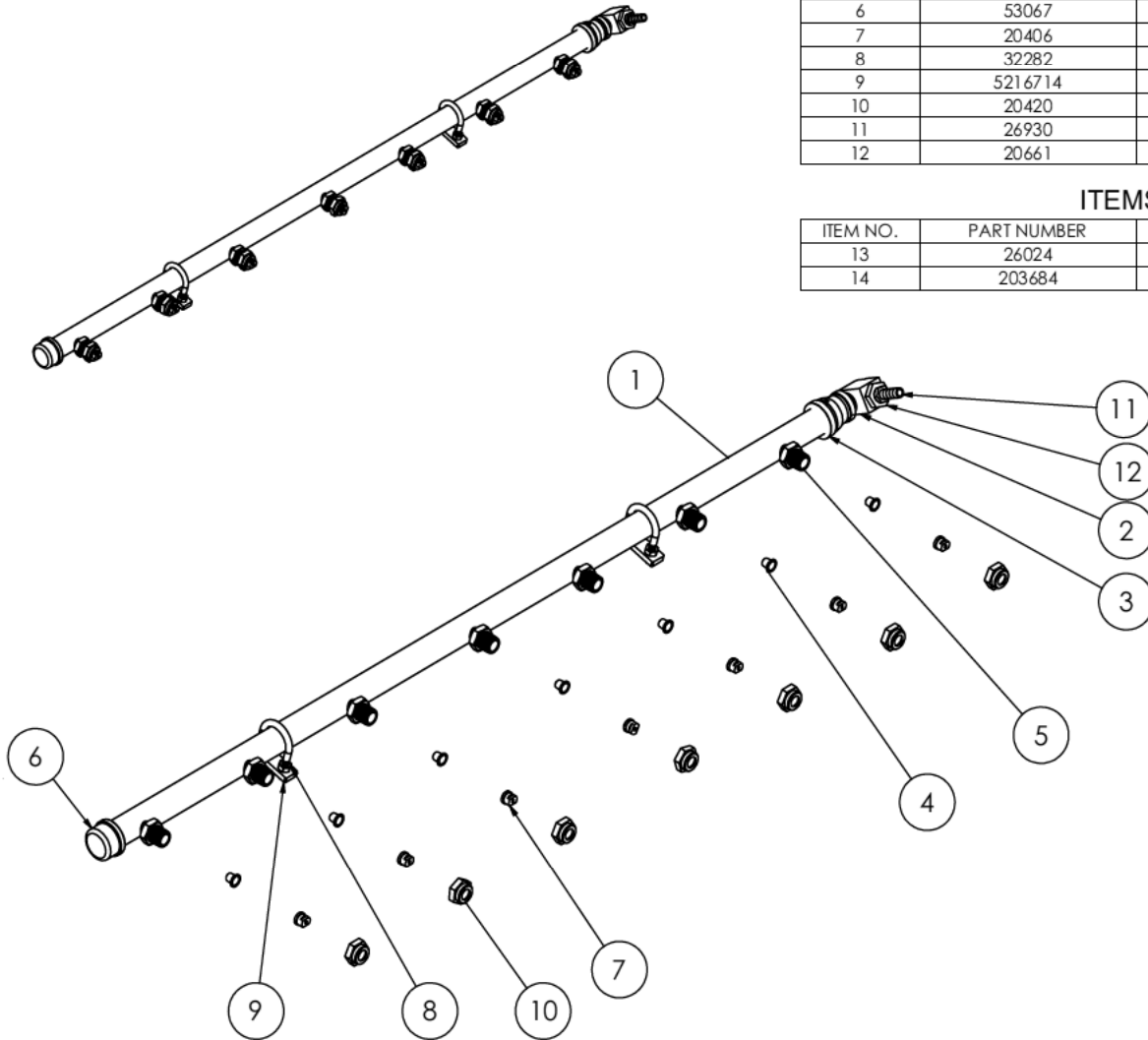
ITEMS NOT SHOWN

ITEM NO.	PART NUMBER	QTY.	DESCRIPTION
12	26024	1	5/8" GROMMET
13	28343	1	HOSE KIT, HOPPER SPRAY BAR



Section 3 - Hopper

203939 - SPRAY BAR HOPPER 7 NOZZLES



ITEM NO.	PART NUMBER	QTY.	DESCRIPTION
1	5213720	1	7 NOZZLE SPRAYBAR PIPE
2	20972	1	ELBOW, 90° 1/2 NPT BRASS
3	21723	1	REDUCER, 1/2 X 3/4 BELL PIPE
4	66412	7	STRAINER, 50M BRASS, UNIJET
5	20408	7	SPRAY, TIP 1/4 MPT
6	53067	1	CAP, 3/4
7	20406	7	SPRAY TIP, BRASS
8	32282	2	U-BOLT, 1/4-20 X 1-1/8
9	5216714	2	TIEBAR, 1/4" U-BOLT
10	20420	7	SPRAY TIP RETAINER
11	26930	1	HOSE BARB 1/4 MPT X 3/8 HOSE
12	20661	1	REDUCER, 1/2 MNPT X 1/4 FNPT, BRASS

ITEMS NOT SHOWN

ITEM NO.	PART NUMBER	QTY.	DESCRIPTION
13	26024	1	5/8" GROMMET
14	203684	1	CONSOLE KIT, HOPPER SPRAY BAR

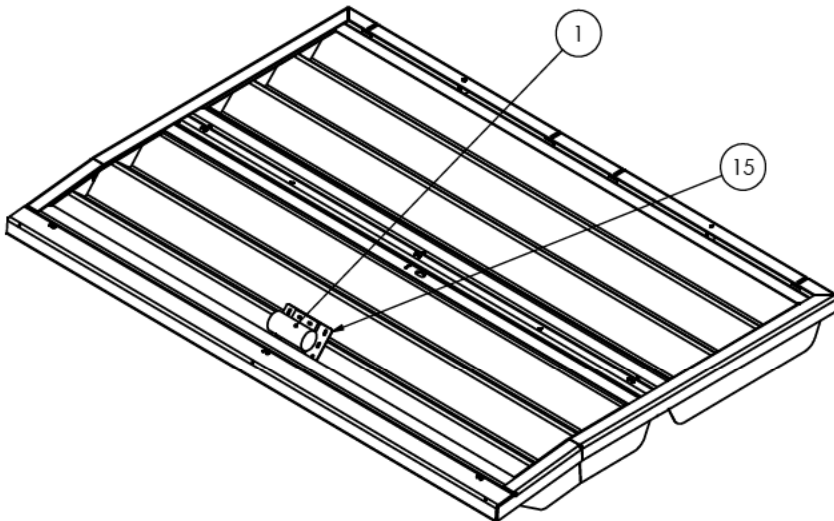
Section 3 - Hopper

204H83 - HOPPER SCREEN SHAKER

ITEM NO	PART NO	Quantity	DESCRIPTION
1	63325	1	VIBRATOR, HOPPER SCREEN, GS6
2	62920	1	CARL, MOM-OFF-MOM, FLUSH BKT
3	62708	1	SWITCH ACTUATOR, HOPPER SHAKER
4	26106	1	BOSCH RELAY, 75AMP 033202-150
5	20879	2	CONNECTOR, MALE - 2
6	20861	2	CONNECTOR, FEMALE - 2
7	20864	4	TERMINAL, FEMALE PIN
8	20860	8	CONNECTOR, CABLE SEAL, 14-12 GA
9	20881	4	TERMINAL, MALE PIN
10	20326	60	WIRE, 10 GA - BLACK
11	21622	60	WIRE, 10 GA - YELLOW
12	20155	2	CLAMP, 1 1/2 COATED
13	21717	1	BREAKER, 40 AMP
14	SK-2352	REF	SCREEN & HOPPER SHAKER WIRING DIAGRAM
15	3002380	1	BRACKET, SCREEN SHAKER A7

NOTES:

- ROUTE WIRES WITH INTAKE WATER LINE

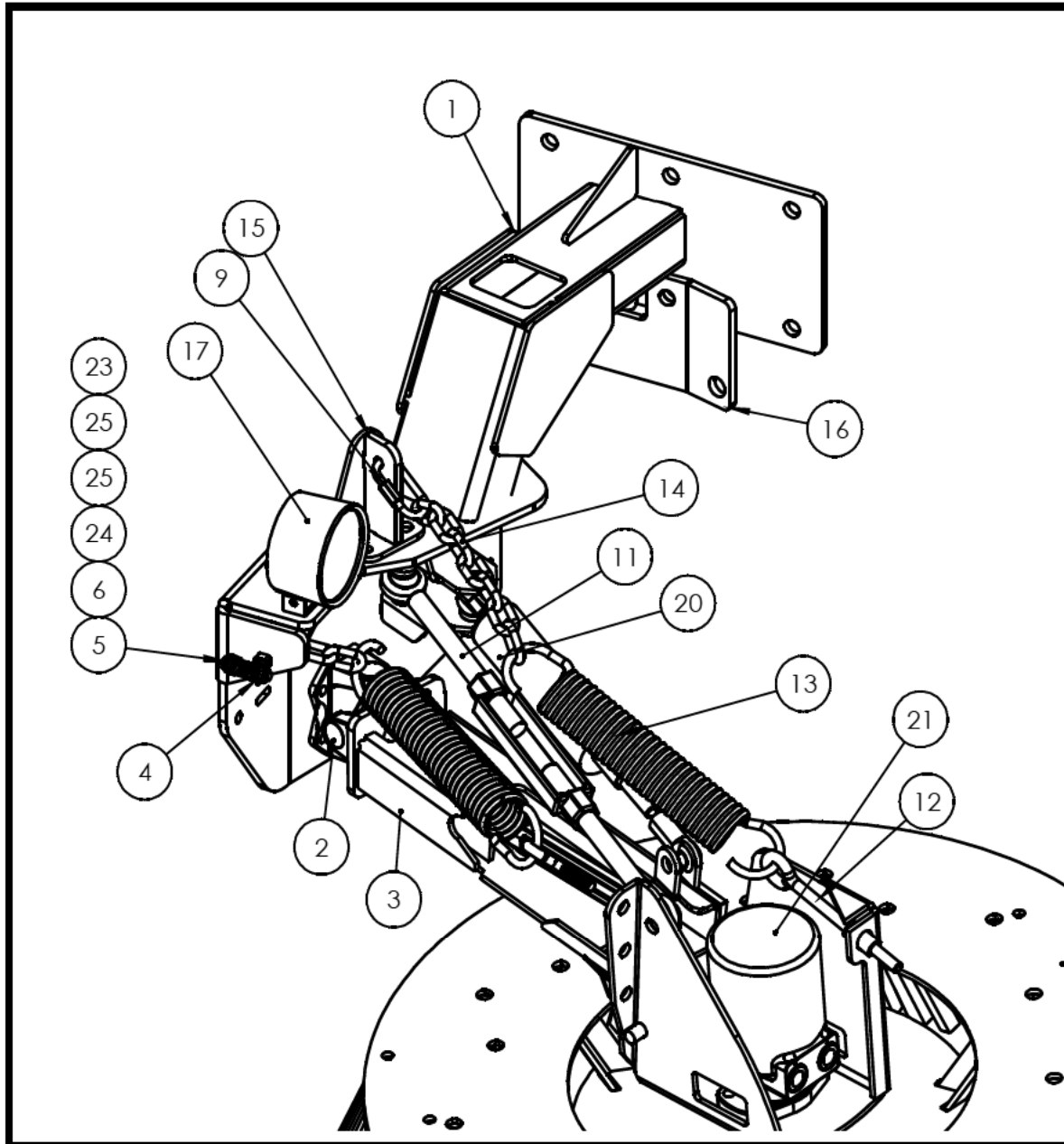


Broom(s)

4

Section 4 - Broom(s)

204K68 - GUTTER BROOM, AUTOCAR



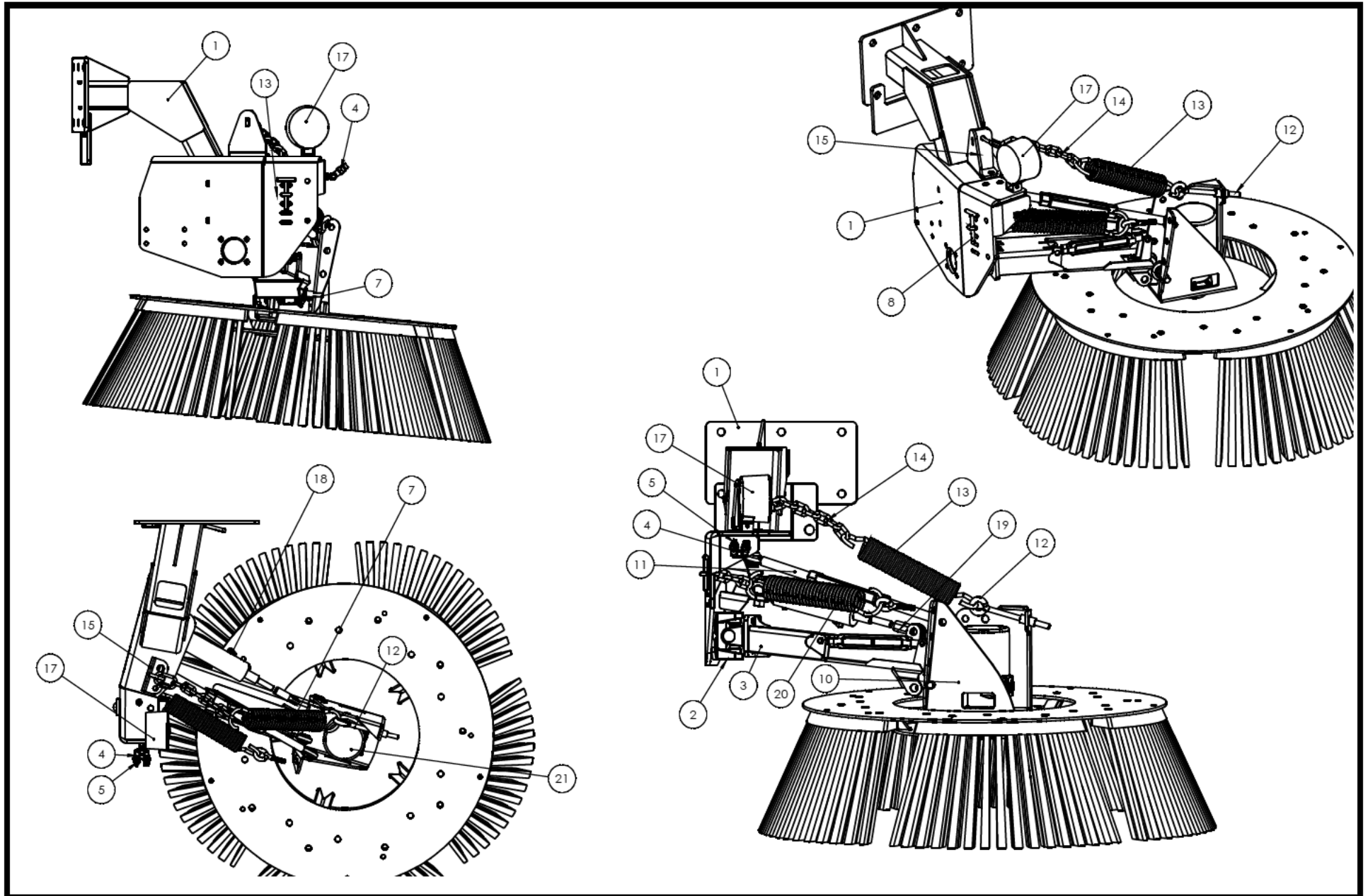
ITEM NO.	PART NUMBER	DESCRIPTION	QTY.
1	524578	BKT, G/B, LH, A7, AUTOCAR	1
2	523432	HIGH U-JOINT ASSY	1
3	523440	ARM, WELD, LH, G/B	1
4	20463	SPRAY TIP, DOUBLE SWIVEL	1
5	22542	SPRAY TIP YELLOW	2
6	27598	WATER FILTER 100 MEST	2
7	521852	LEVER, PIVOT, LH, TILT	1
8	522209	TEE PIN G/B SPRING RETAINER	1
9	21924	ATTACH LINK	1
10	522711	DP, BROOM MOTOR, BRACKET, LH	1
11	522374	TURNBUCKLE, 7/8	1
12	65597	EYEBOLT 1/2-13 X 6" LONG, T3	1
13	21478	SPRING, 2" X 12"	2
14	20816-7	CHAIN, 5/16, 9-7/8" LONG	1
15	522713	SPRING BRACKET, LH, DOWN PRESS	1
16	5219621	BRKT, DRAG ARM, LH, AUTOCAR	1
17	61541	LED PAR 36 FLOOD LIGHT	1
18	65766	ELBOW, 90° 1/4 MORFS X 1/4 NP	1
19	5207160	5/8-18 ROD END DRILLED & TAPPED	1
20	521093	CYLINDER 2 X 5 BROOM INNER	1
21	64903	MOTOR, GUTTER BROOM	1
22	204k91	GB TILT, POWER, LH ONLY	1
23	20133	ELBOW, 90, 1/4 MNPT X FNPT	1
24	26965	TEE, STREET RUN 1/4 NPT	1
25	26930	HOSE BARB 1/4 MPT X 3/8 HOSE	3
26	21930	PLUG, 1/4" NPT VENTED PIPE	1

ITEMS BELOW NOT SHOWN

ITEM NO.	PART NUMBER	DESCRIPTION	QTY.
27	20464	SPRAY TIP RETAINING NUT, PVC	2
28	20815	3/16" CHAIN LINK	1
29	61047	ELBOW, 90 1/2 MORFS X 5/8 MORB	1
30	21707	DEFLETOR FLAP	1
31	524966	HOSE, FR MAN A3 TO LH GB MTR	1
32	524967	HOSE, FR MAN B3 TO LH GB MTR	1
33	525002	HOSE, MAN TO LH GB CYL	1
34	64595	CONNECTOR, 2WAY RECEPTACLE	1
35	64610	WEDGELOCK, 2 WAY RECEPTACLE, D	1
36	203667	CONSOLE KIT, LHS G/B, A7	1
37	203670	HYDRAULIC KIT, LHS, G/B, A7	1

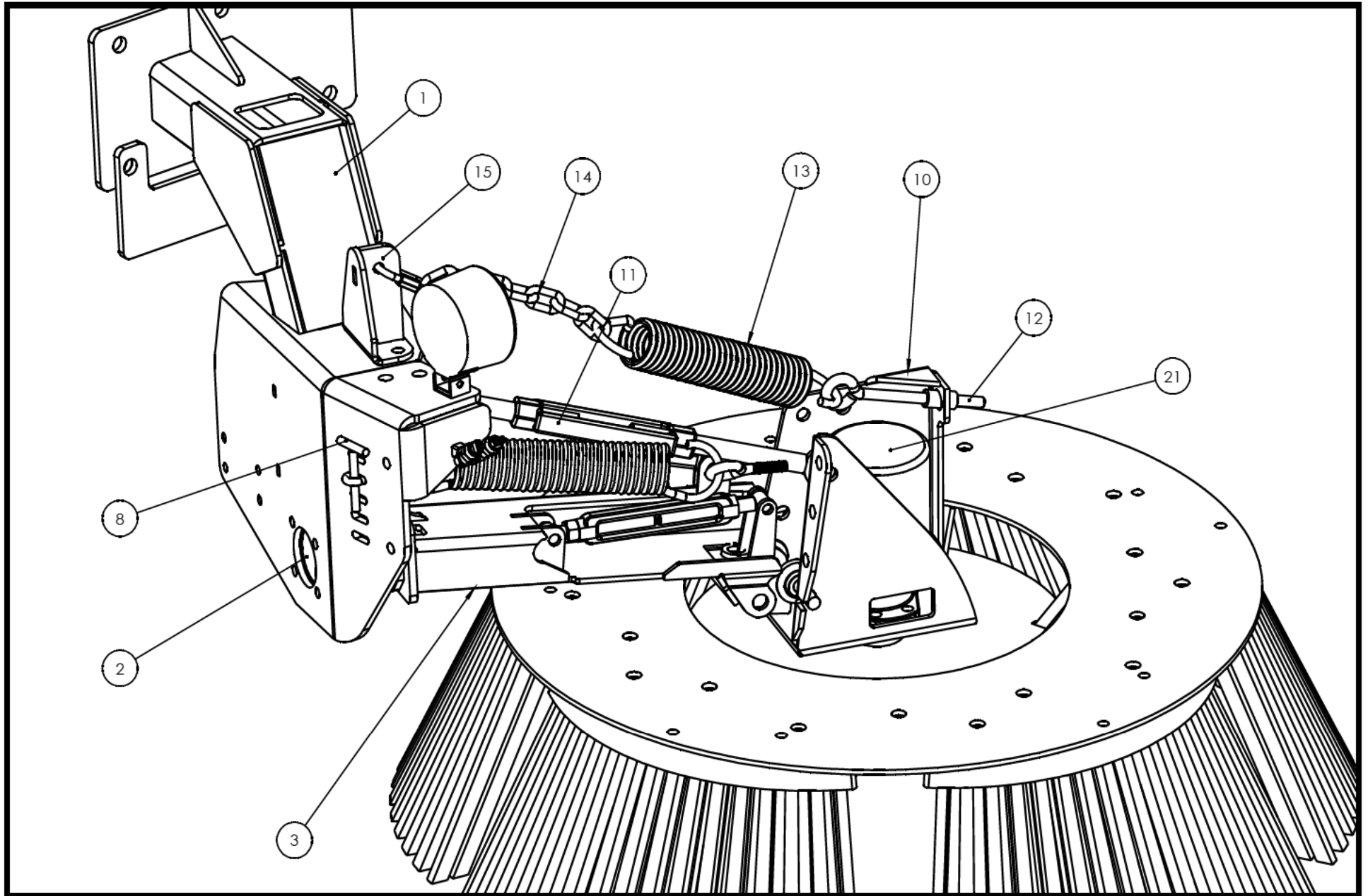
Section 4 - Broom(s)

204K68 - GUTTER BROOM, LH AUTOCAR



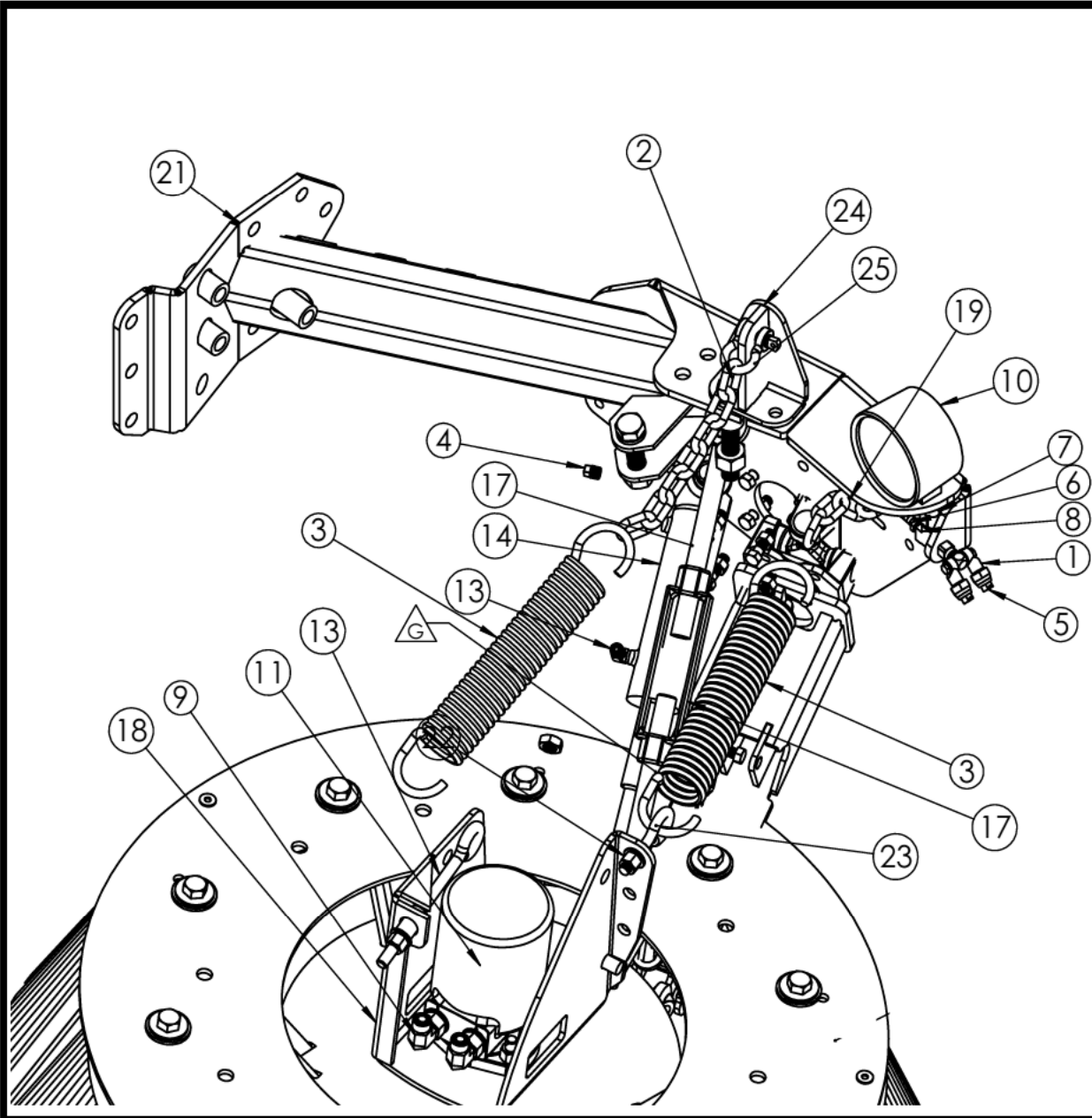
Section 4 - Broom(s)

204K68 - GUTTER BROOM, AUTOCAR



Section 4 - Broom(s)

204K03 - GUTTER BROOM, RH KIT



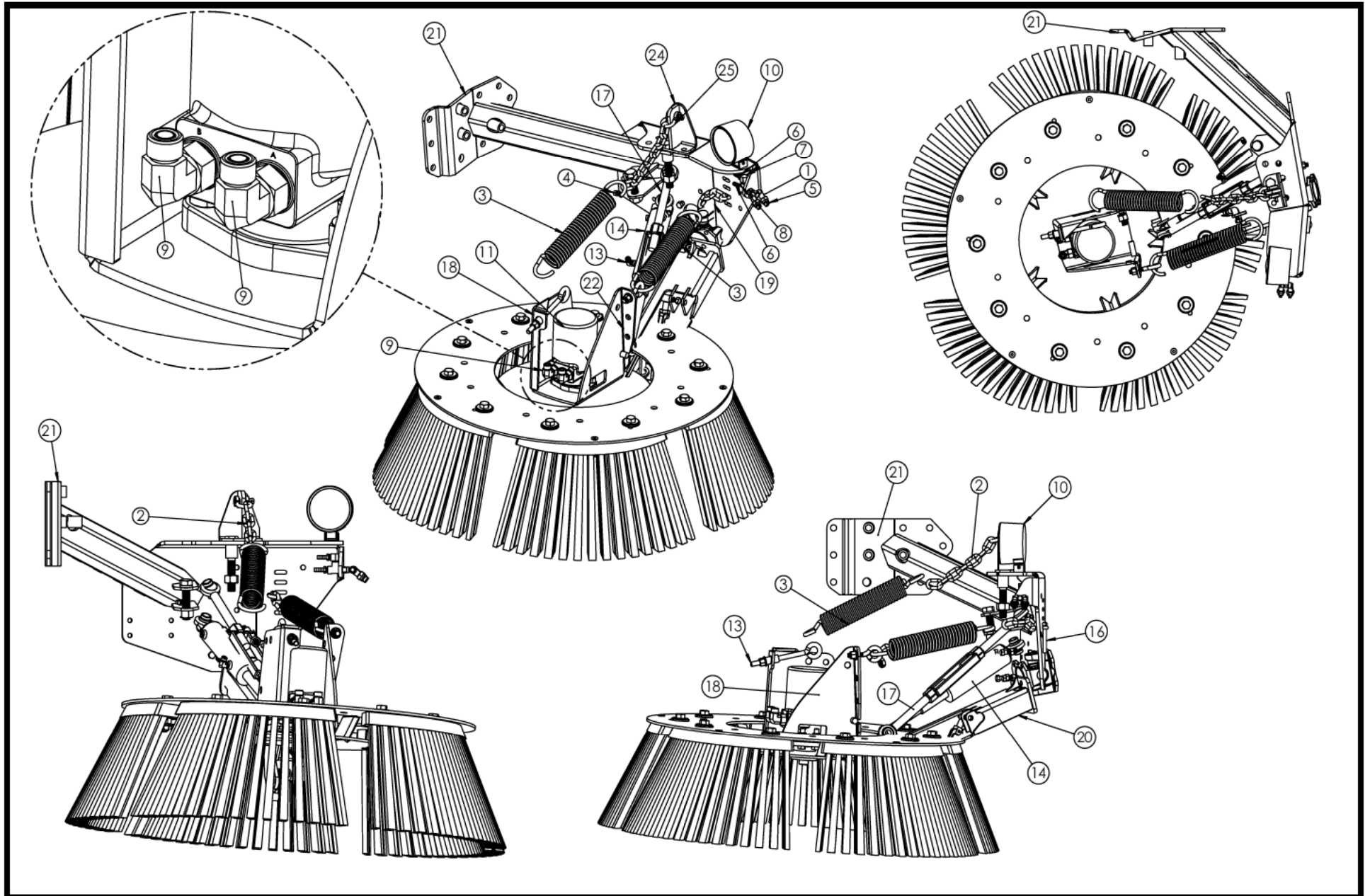
ITEM NO.	PART NUMBER	DESCRIPTION	QTY.
1	20463	SPRAY TIP, DOUBLE SWIVEL	1
2	20816-7	CHAIN, 5/16, 9-7/8" LONG	1
3	21478	SPRING, 2" X 12"	2
4	21930	PLUG, 1/4" NPT VENTED PIPE	1
5	22542	SPRAY TIP YELLOW	2
6	26930	HOSE BARB 1/4 MPT X 3/8 HOSE	2
7	26952	ELBOW, 90, 1/4 MNPT X FNPT	1
8	26965	TEE, STREET RUN 1/4 NPT	1
9	61047	ELBOW, 90 1/2 MORFS X 5/8 MORB	2
10	61541	LED PAR 36 FLOOD LIGHT	1
11	64903	MOTOR, GUTTER BROOM	1
13	65597	EYEBOLT 1/2-13 X 6" LONG, T3	1
13	65766	ELBOW, 90° 1/4 MORFS X 1/4 NP	1
14	521093	CYLINDER 2 X 5 BROOM INNER	1
15	521853	LEVER, PIVOT, RH, TILT	1
16	522209	TEE PIN G/B SPRING RETAINER	1
17	522374	TURNBUCKLE, 7/8	1
18	522712	DP, BROOM MOTOR, BRACKET, RH	1
19	523432	HIGH U-JOINT ASSY	1
20	523441	ARM, WELD, RH, G/B	1
21	523466	BRACKET ASSY, GB, RH	1
22	5207160	5/8-18 ROD END DRILLED & TAPPED	1
23	30284	SCREW, 1/2-13 X 2 EYEBOLT BENT	1
24	522714	SPRING BRACKET, RH, DOWN PRESS	1
25	23450	SHACKLE, 3/8	1

ITEMS BELOW NOT SHOWN

ITEM NO.	PART NUMBER	DESCRIPTION	QTY.
26	27598	WATER FILTER 100 MEST	2
27	64595	CONNECTOR, 2WAY RECEPTACLE	1
28	64610	WEDGELOCK, 2 WAY RECEPTACLE, D	1
29	25092	CLAMP, 2" COATED	3
30	204K92	GB TILT, POWER, RH ONLY	1
31	524962	HOSE, RR MAN A3 TO RH GB MTR	1
32	524963	HOSE, RR MAN B3 TO RH GB MTR	1
33	524964	HOSE, RR MAN V TO RN GB CYL	1

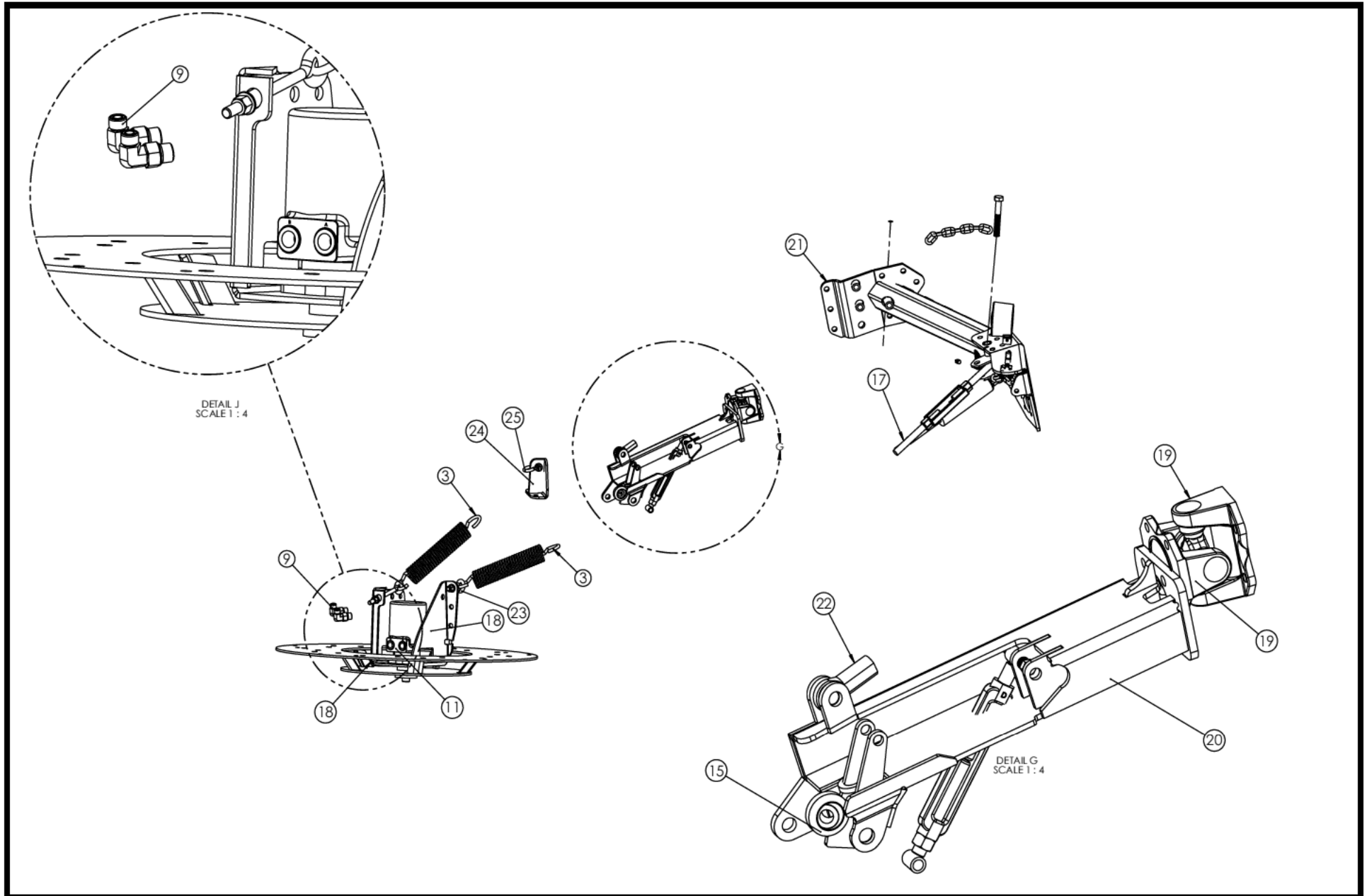
Section 4 - Broom(s)

204K03 - GUTTER BROOM, KIT



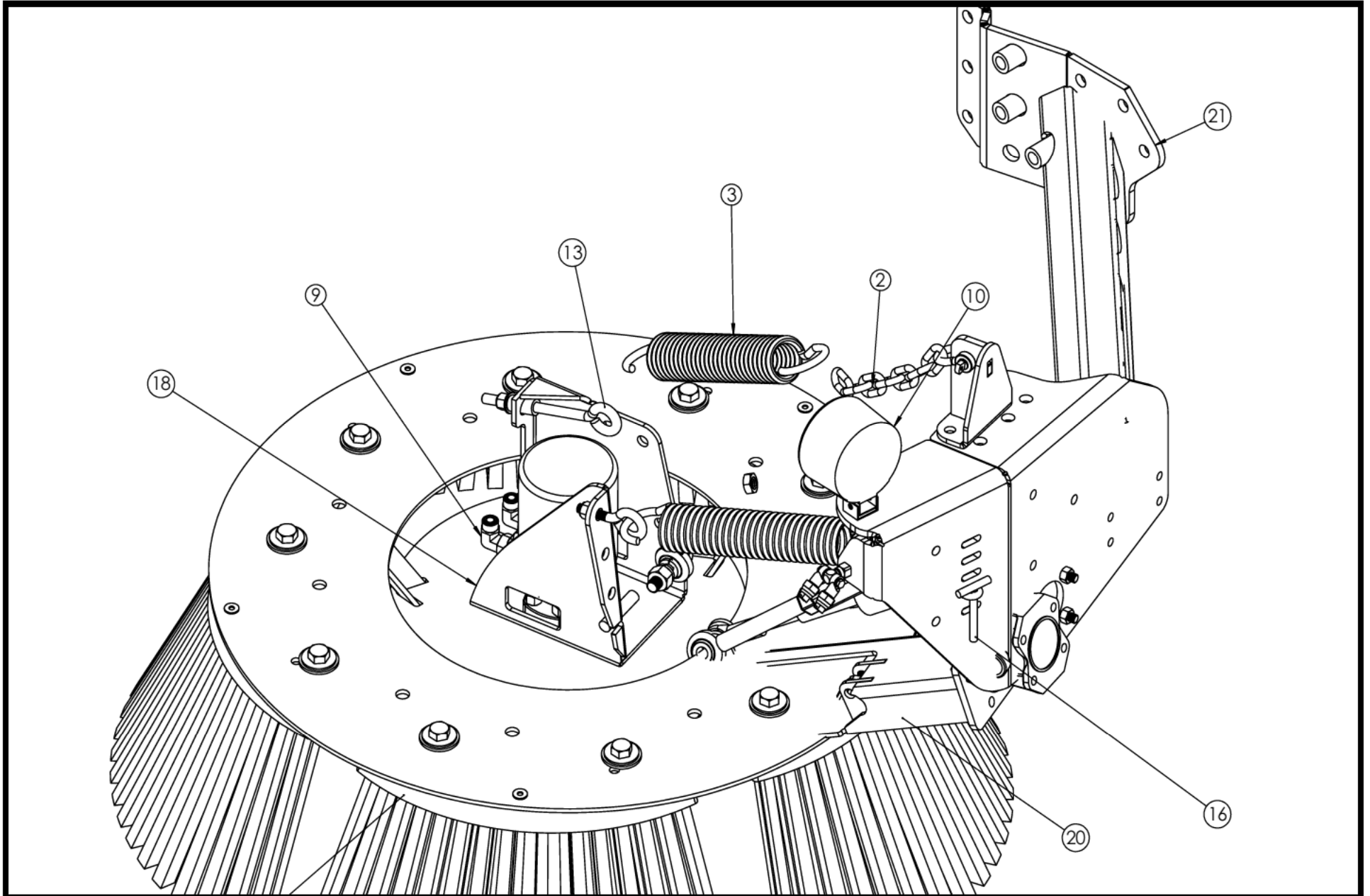
Section 4 - Broom(s)

204K03 - GUTTER BROOM, KIT



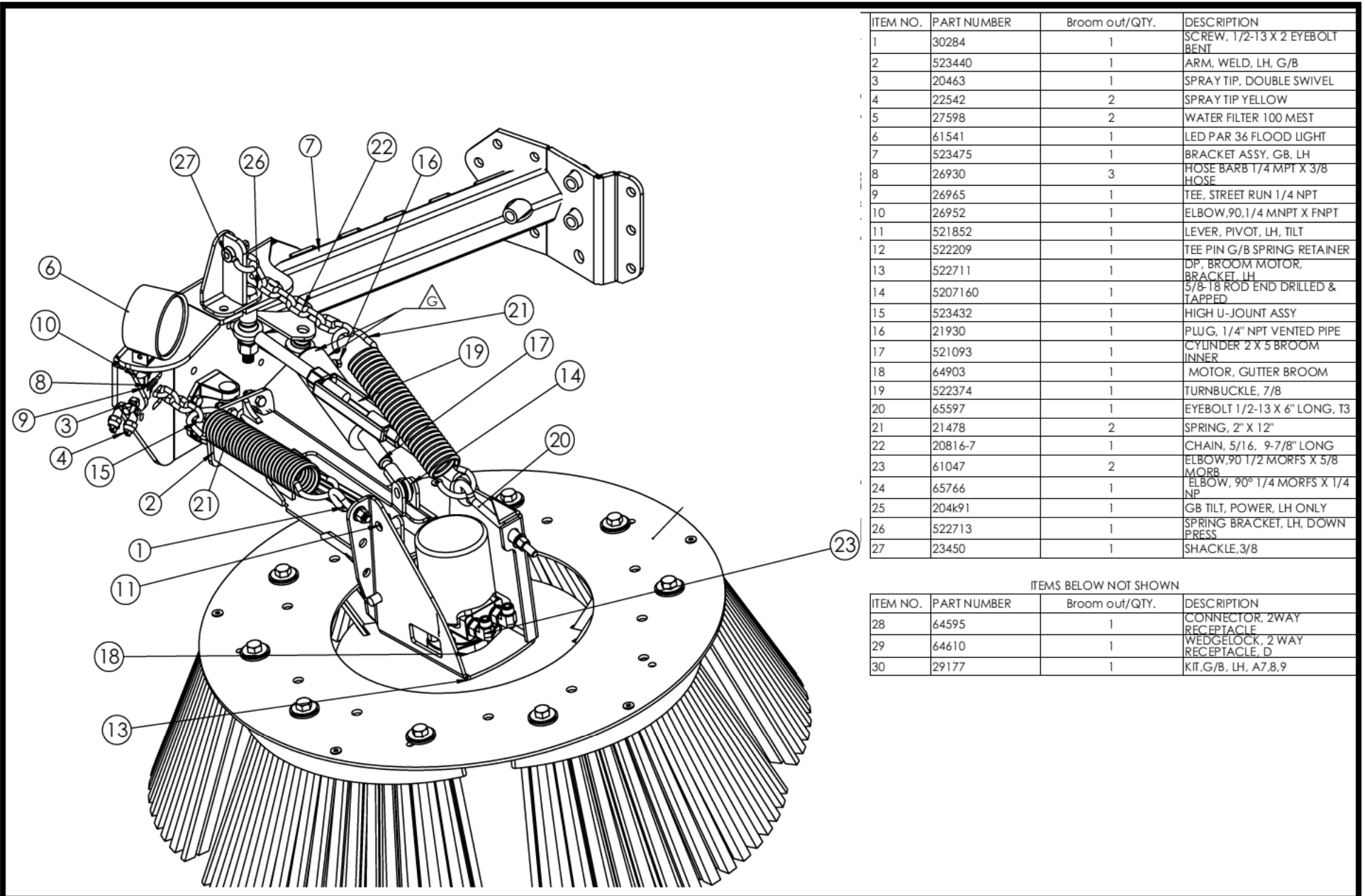
Section 4 - Broom(s)

204K03 - GUTTER BROOM, KIT



Section 4 - Broom(s)

204K02 - GUTTER BROOM, LH KIT



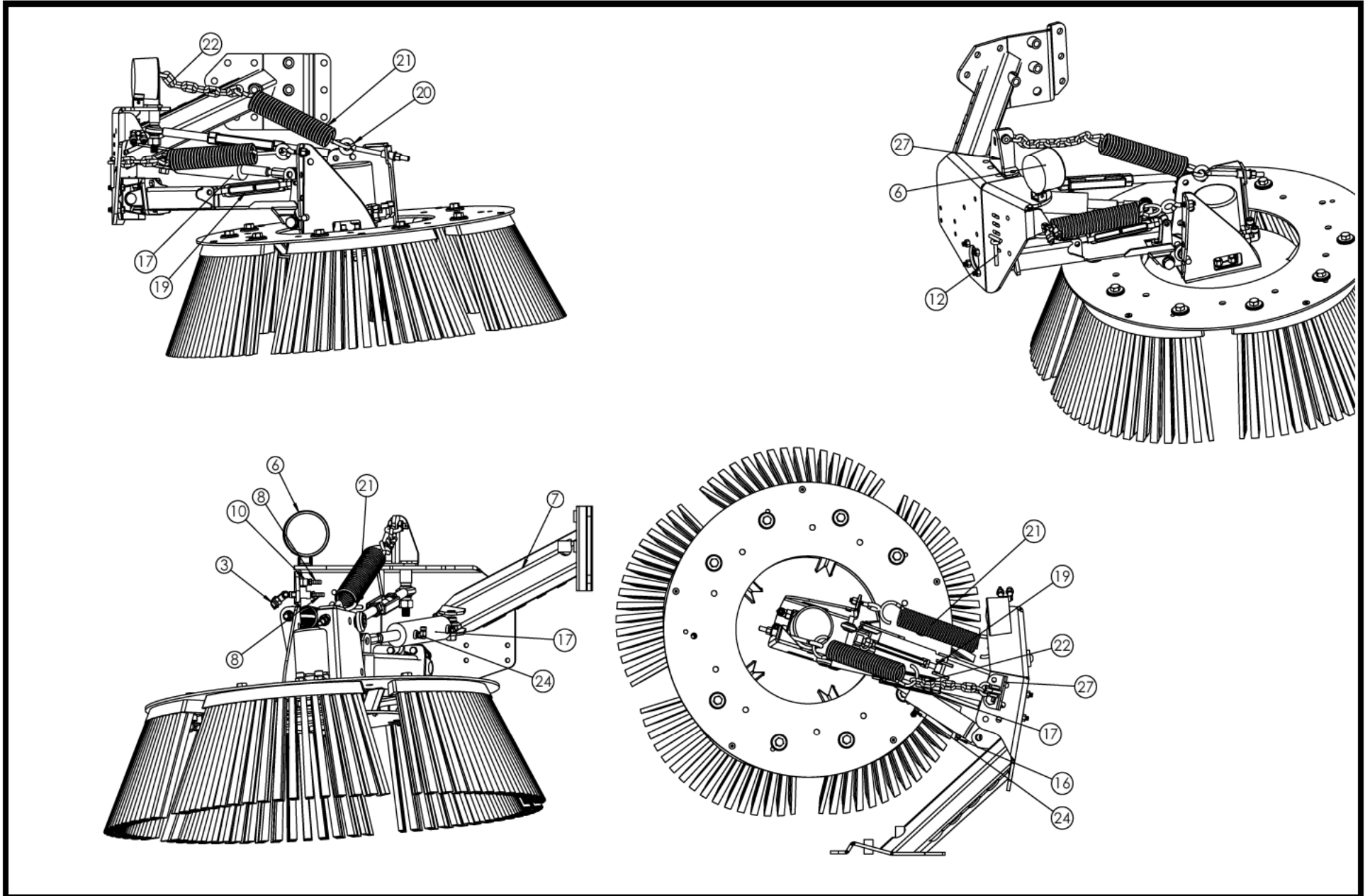
ITEM NO.	PART NUMBER	Broom out/QTY.	DESCRIPTION
1	30284	1	SCREW, 1/2-13 X 2 EYEBOLT BENT
2	523440	1	ARM, WELD, LH, G/B
3	20463	1	SPRAY TIP, DOUBLE SWIVEL
4	22542	2	SPRAY TIP YELLOW
5	27598	2	WATER FILTER 100 MEST
6	61541	1	LED PAR 36 FLOOD LIGHT
7	523475	1	BRACKET ASSY, GB, LH
8	26930	3	HOSE BARB 1/4 MPT X 3/8 HOSE
9	26965	1	TEE, STREET RUN 1/4 NPT
10	26952	1	ELBOW, 90, 1/4 MNPT X FNPT
11	521852	1	LEVER, PIVOT, LH, TILT
12	522209	1	TEE PIN G/B SPRING RETAINER
13	522711	1	DP, BROOM MOTOR, BRACKET, LH
14	5207160	1	5/8-18 ROD END DRILLED & TAPPED
15	523432	1	HIGH U-JOINT ASSY
16	21930	1	PLUG, 1/4" NPT VENTED PIPE
17	521093	1	CYLINDER 2 X 5 BROOM INNER
18	64903	1	MOTOR, GUTTER BROOM
19	522374	1	TURNBUCKLE, 7/8
20	65597	1	EYEBOLT 1/2-13 X 6" LONG, T3
21	21478	2	SPRING, 2" X 12"
22	20816-7	1	CHAIN, 5/16, 9-7/8" LONG
23	61047	2	ELBOW, 90 1/2 MORFS X 5/8 MORB
24	65766	1	ELBOW, 90° 1/4 MORFS X 1/4 NP
25	204k91	1	GB TILT, POWER, LH ONLY
26	522713	1	SPRING BRACKET, LH, DOWN PRESS
27	23450	1	SHACKLE, 3/8

ITEMS BELOW NOT SHOWN

ITEM NO.	PART NUMBER	Broom out/QTY.	DESCRIPTION
28	64595	1	CONNECTOR, 2WAY RECEPTACLE
29	64610	1	WEDGELOCK, 2 WAY RECEPTACLE, D
30	29177	1	KIT, G/B, LH, A7.8.9

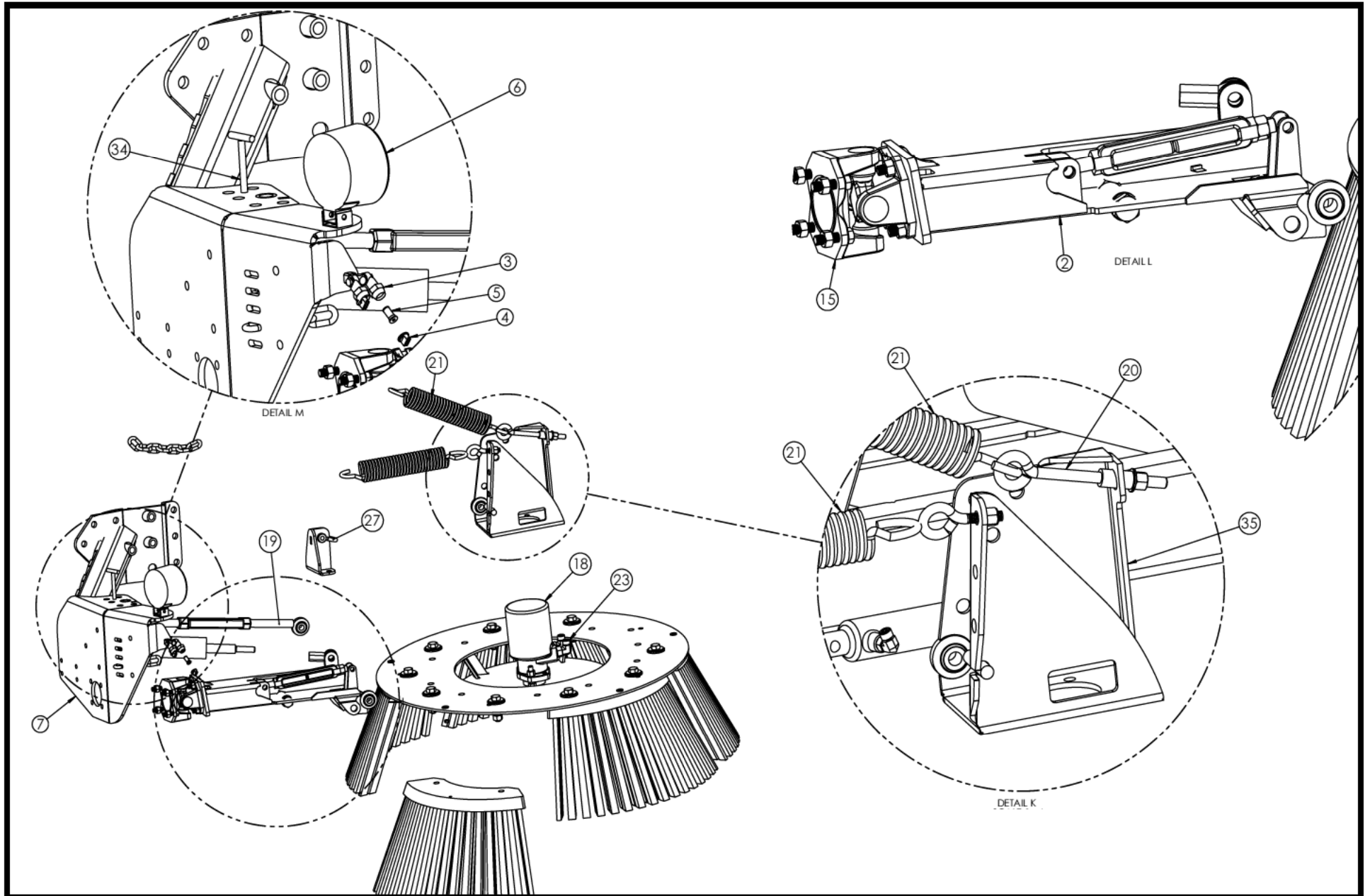
Section 4 - Broom(s)

204K02 - GUTTER BROOM, LH KIT



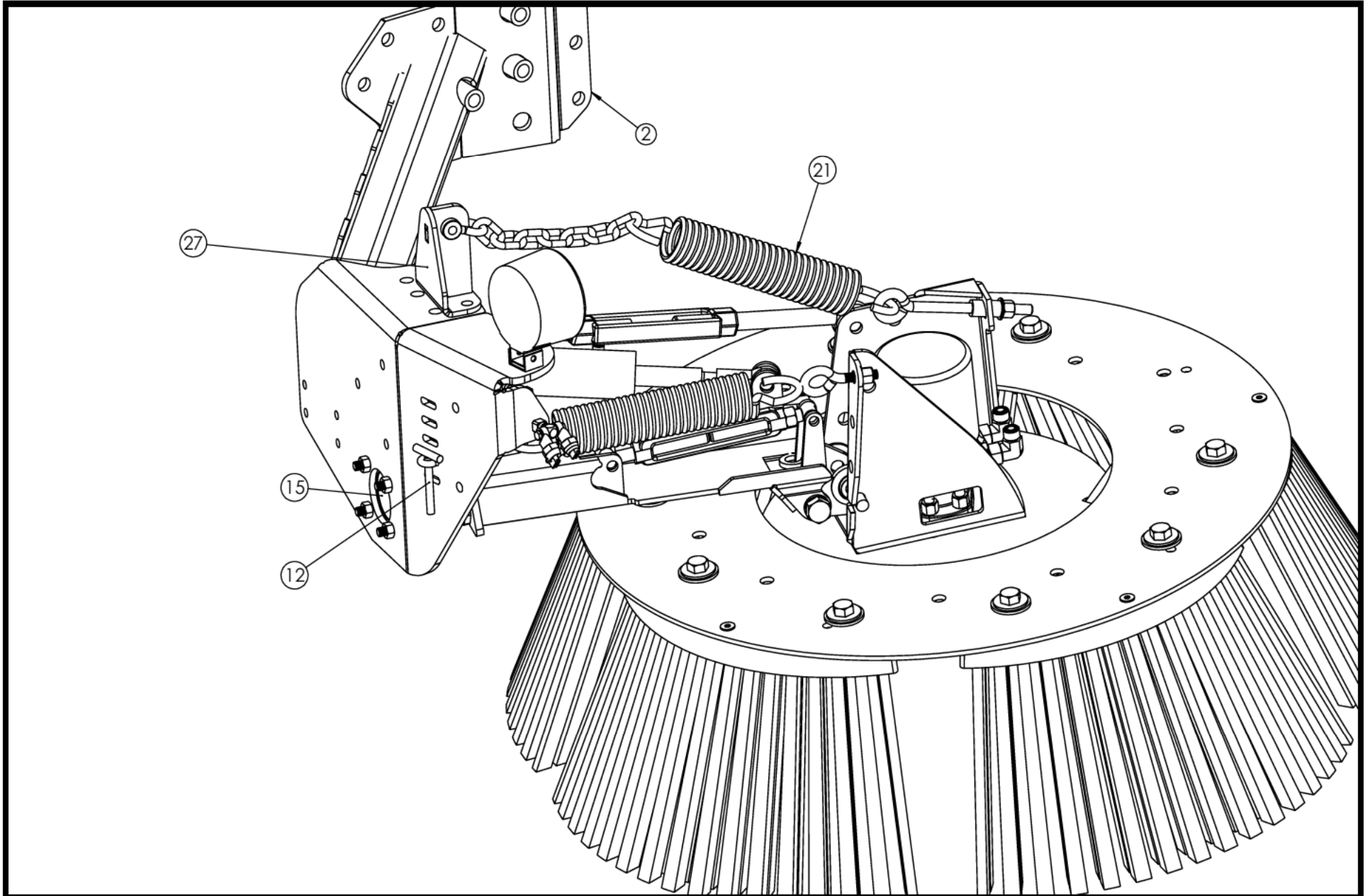
Section 4 - Broom(s)

204K02 - GUTTER BROOM, LH KIT



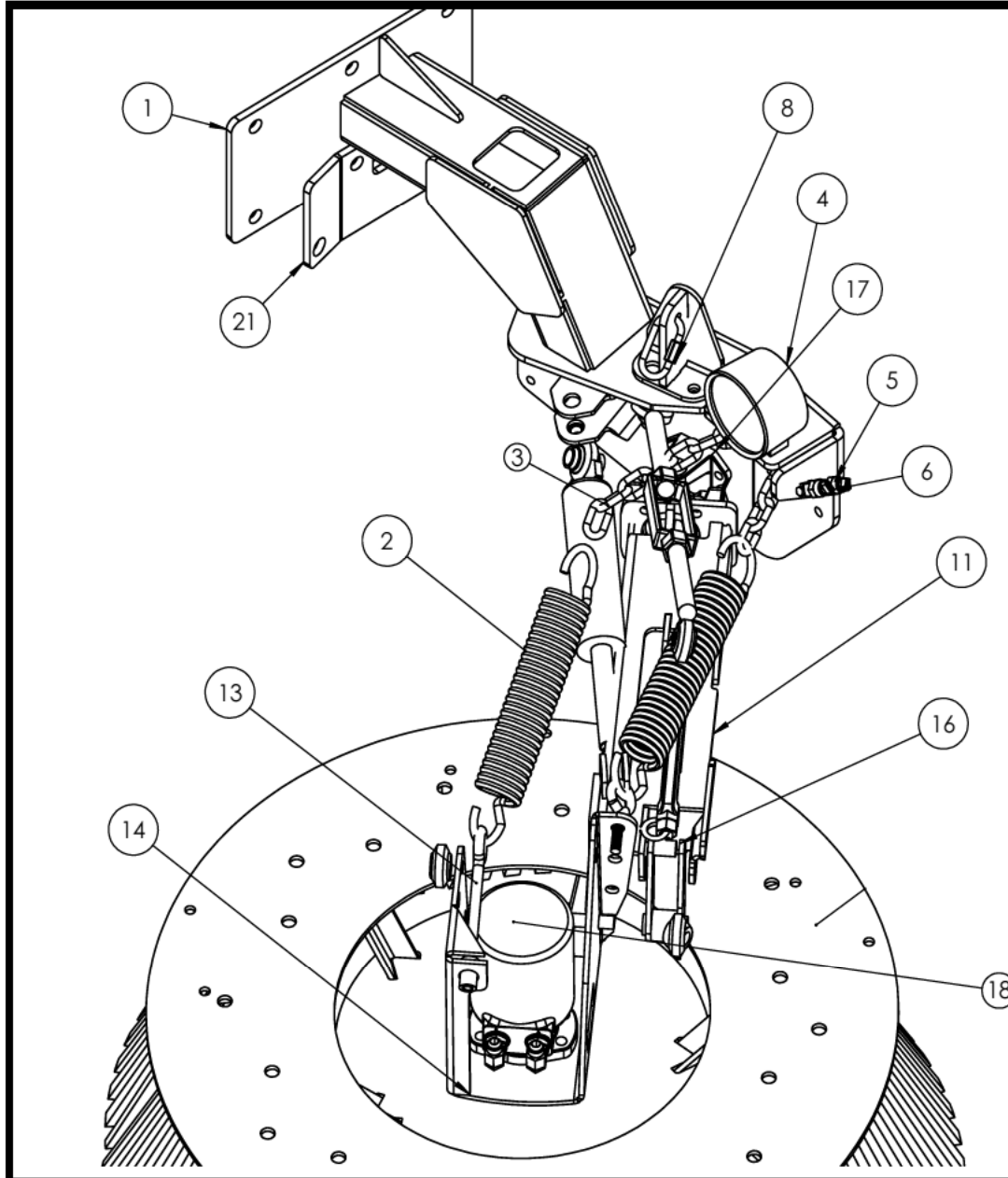
Section 4 - Broom(s)

204K02 - GUTTER BROOM, LH KIT



Section 4 - Broom(s)

204K69 - GUTTER BROOM, RH AUTOCAR



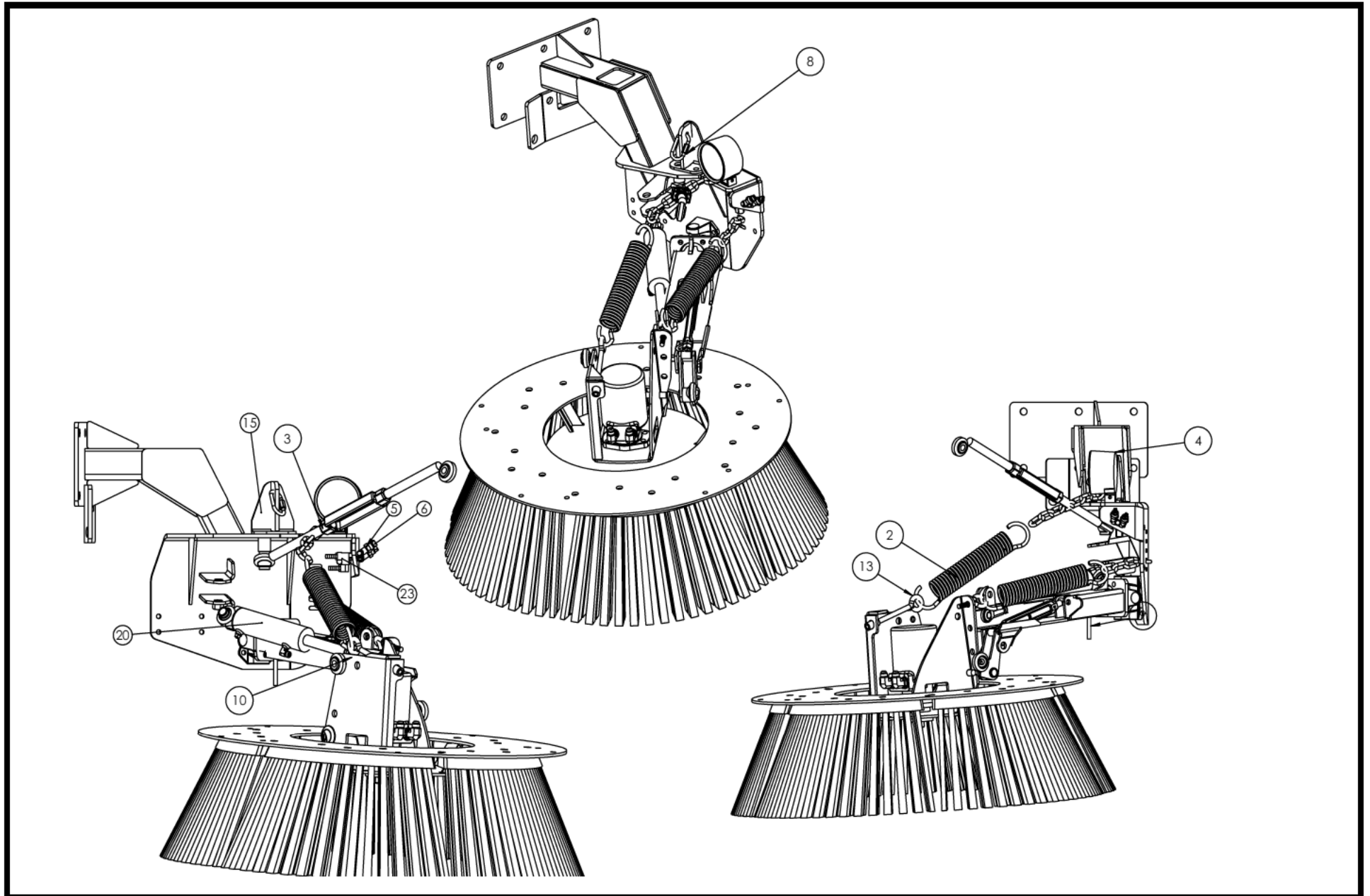
ITEM NO.	PART NUMBER	DESCRIPTION	QTY.
1	524577	BKT,G/B,RH,A7 AUTOCAR	1
2	21478	SPRING, 2' X 12"	2
3	20816-7	CHAIN, 5/16, 9-7/8" LONG	1
4	61541	LED PAR 36 FLOOD LIGHT	1
5	20463	SPRAY TIP, DOUBLE SWIVEL	1
6	22542	SPRAY TIP YELLOW	2
7	65766	ELBOW, 90° 1/4 MORFS X 1/4 NP	1
8	21924	ATTACH LINK	1
9	522209	TEE PIN G/B SPRING RETAINER	1
10	5207160	5/8-18 ROD END DRILLED & TAPPED	1
11	523441	ARM, WELD, RH, G/B	1
12	522374	TURNBUCKLE, 7/8	1
13	65597	EYEBOLT 1/2-13 X 6" LONG, T3	1
14	522712	DP, BROOM MOTOR, BRACKET, RH	1
15	522714	SPRING BRACKET, RH, DOWN PRESS	1
16	521853	LEVER, PIVOT, RH, TILT	1
17	523432	HIGH U-JOINT ASSY	1
18	64903	MOTOR, GUTTER BROOM	1
19	21930	PLUG, 1/4" NPT VENTED PIPE	1
20	521093	CYLINDER 2 X 5 BROOM INNER	1
21	5219622	BRKT, DRAG ARM, RH, AUTOCAR	1
22	204K92	GB TILT, POWER, RH ONLY	1
23	26965	TEE, STREET RUN 1/4 NPT	1
24	61047	ELBOW,90 1/2 MORFS X 5/8 MORB	2

ITEMS BELOW ARE NOT SHOWN

ITEM NO.	PART NUMBER	DESCRIPTION	QTY.
25	524962	HOSE, RR MAN A3 TO RH GB MTR	1
26	64610	WEDGELOCK, 2 WAY RECEPTACLE, D	1
27	524963	HOSE, RR MAN B3 TO RH GB MTR	1
28	524964	HOSE, RR MAN V TO RH GB CYL	1
29	27598	WATER FILTER 100 MEST	2
30	20464	SPRAY TIP RETAINING NUT, PVC	2
31	26930	HOSE BARB 1/4 MPT X 3/8 HOSE	3
32	21707	DEFLETOR FLAP	1
33	21099	MIRROR MOUNTING BRACKET	1
34	64595	CONNECTOR, 2WAY RECEPTACLE	1

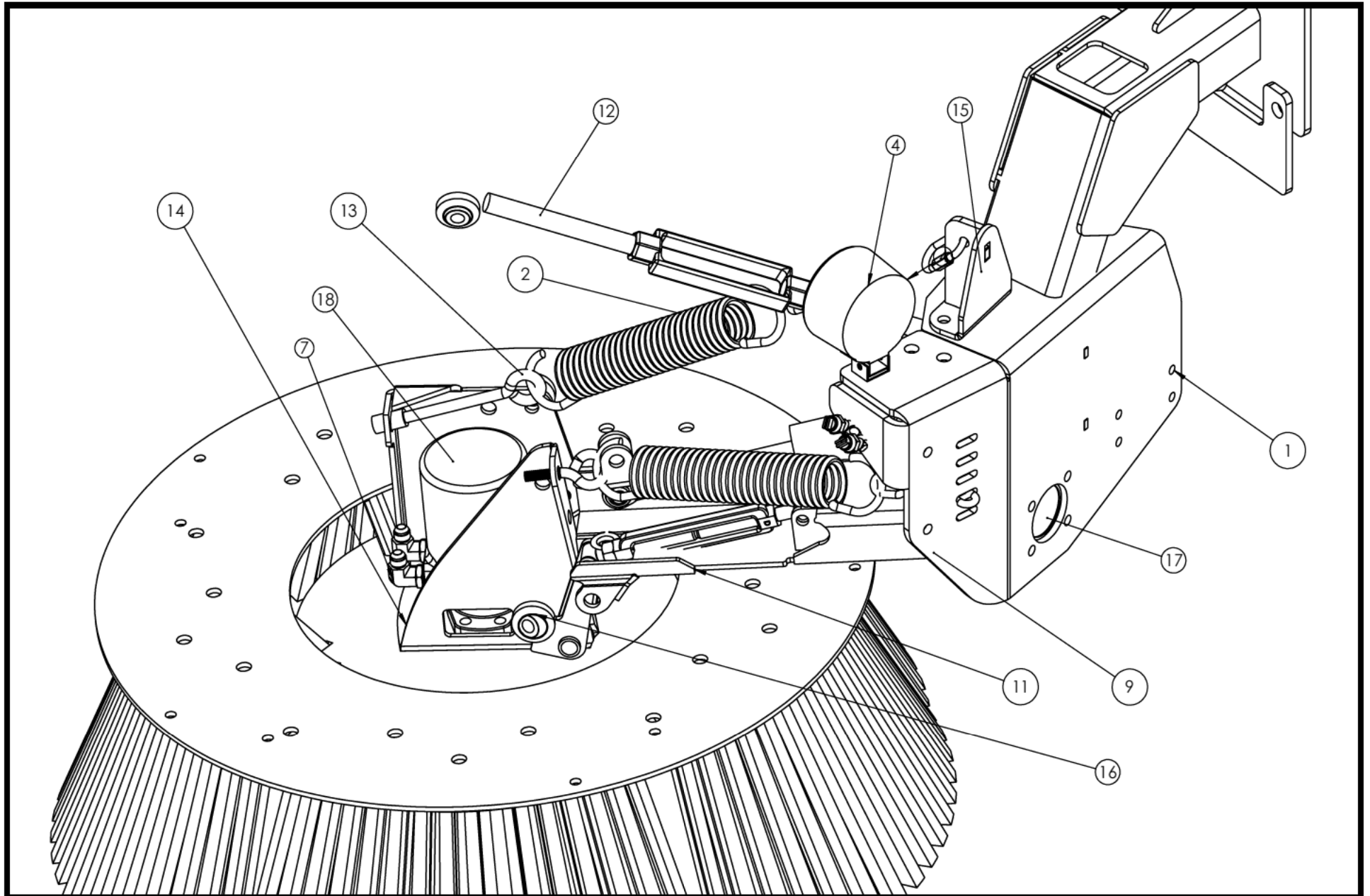
Section 4 - Broom(s)

204K69 - GUTTER BROOM, RH AUTOCAR



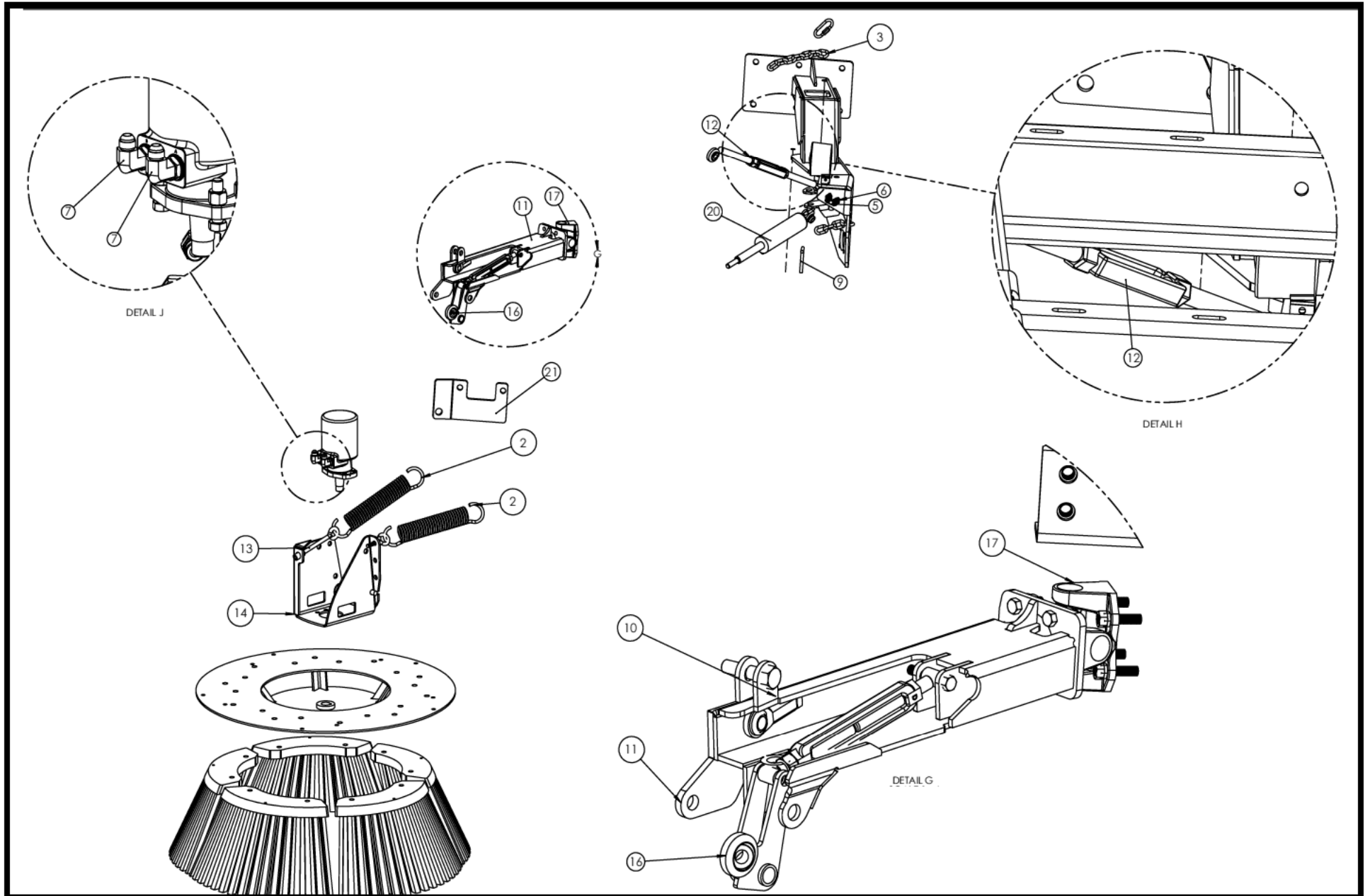
Section 4 - Broom(s)

204K69 - GUTTER BROOM, RH AUTOCAR



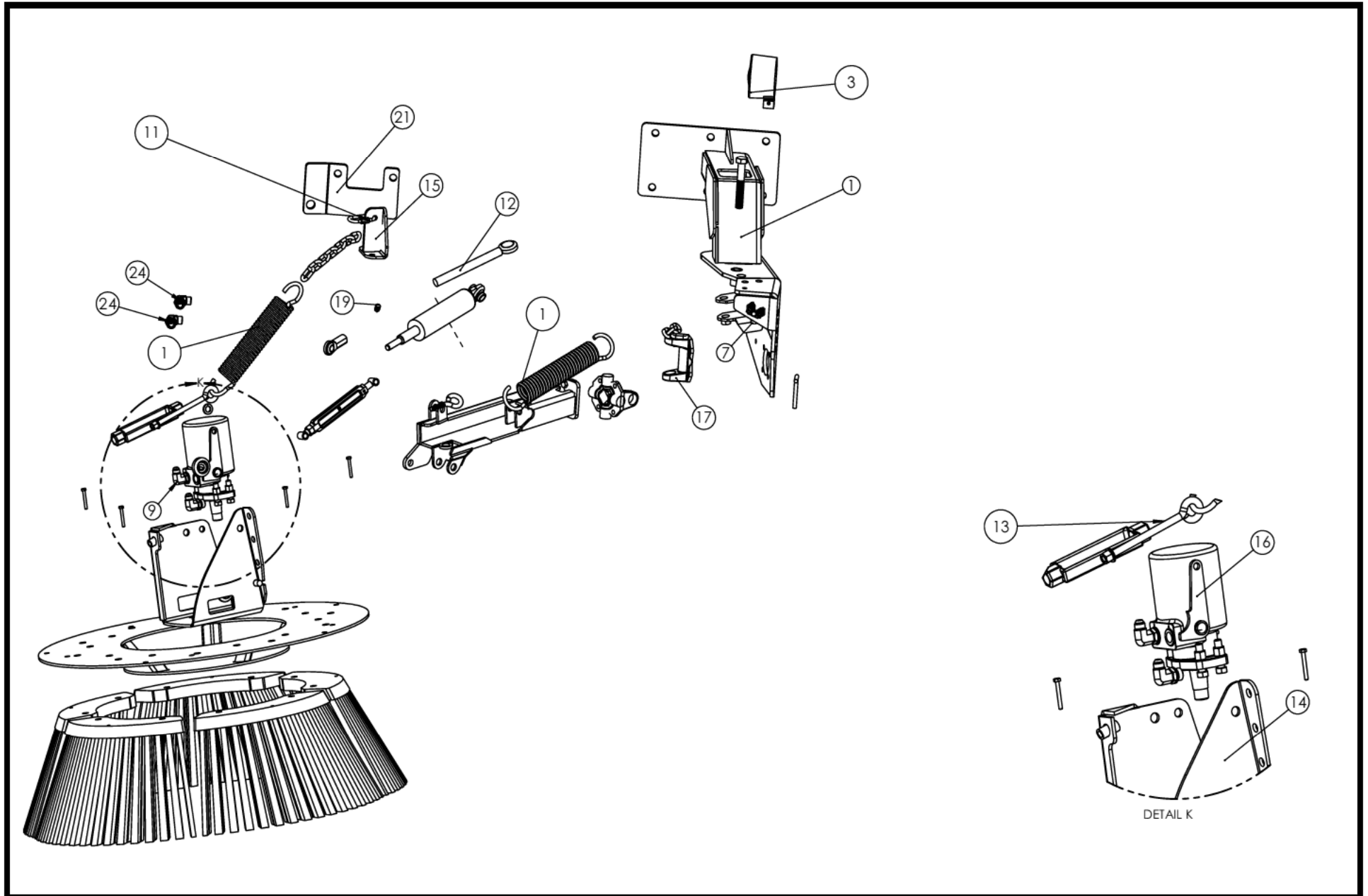
Section 4 - Broom(s)

204K69 - GUTTER BROOM, RH AUTOCAR



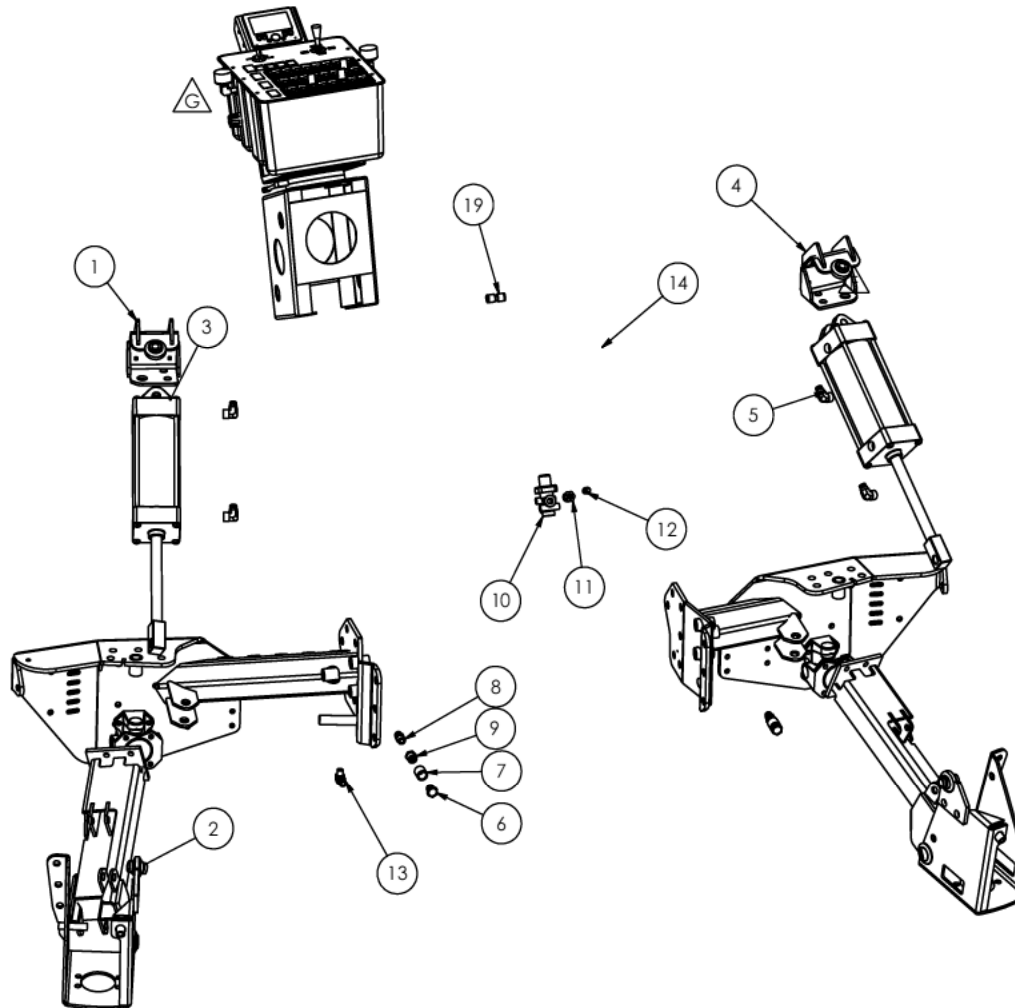
Section 4 - Broom(s)

204K69 - GUTTER BROOM, RH AUTOCAR



Section 4 - Broom(s)

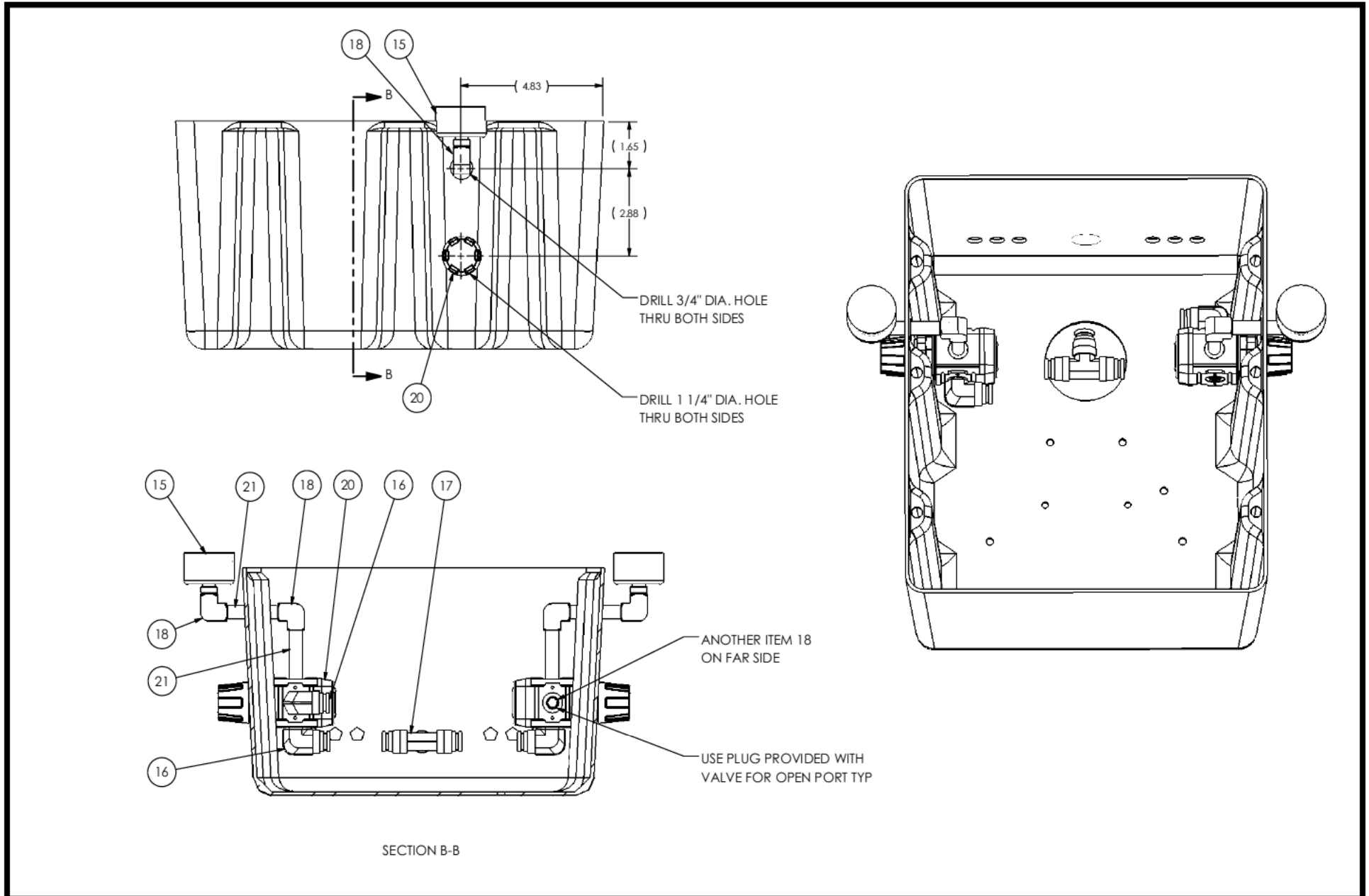
203V40 - GB AIR DOWN PRESSURE



ITEM NO.	PART NUMBER	DESCRIPTION	QTY.
1	525572	WELD, RH GB DWN PRS CYL MNT	1
2	523974	GB AIR CYL MOUNT LOWER	2
3	28579	CYLINDER,PNEUMATIC 4 X 8	2
4	525573	WELD, LH GB DWN PRS CYL MNT	1
5	28978	ELBOW,90,1/2 NPT X 3/8 P2C	4
6	28592	BREATHER, AIR VENT 1/2 NPT	2
7	55013	1/2 FPT COUPLING	2
8	28983	ADAPTER,3/8 NPT X 3/8 P2C	2
9	21344	BUSHING,1/2 MNPT X 3/8 FNPT BRASS	2
10	28788	VALVE,AIR PRESS PROTECTION,92-98	1
11	21342	REDUCER, 1/2 MNPT X 1/4 FNPT,BRASS	1
12	22473	NIPPLE,1/4 NPT HEX BRASS	1
13	28976	ELBOW,90,1/4 NPT X 3/8 P2C	1
14	20529-60	TUBING,3/8 NYLON AIR, 60FT	1
15	20515	GAUGE,AIR PRESSURE 0-160 PSI	2
16	54694	ELBOW,90,1/8 NPT X 3/8 P2C	4
17	28974	TEE,UNION,3/8 P2C	1
18	23851	1/8" 90° BRASS ELBOW NPT FEMALE	4
19	67655	UNION, ST, 3/8-3/8, P2C	1
20	20514	REGULATOR, 1/8 NPT	2
21	67654	NIPPLE, PIPE, 1/8 NPT X 2.50	4

Section 4 - Broom(s)

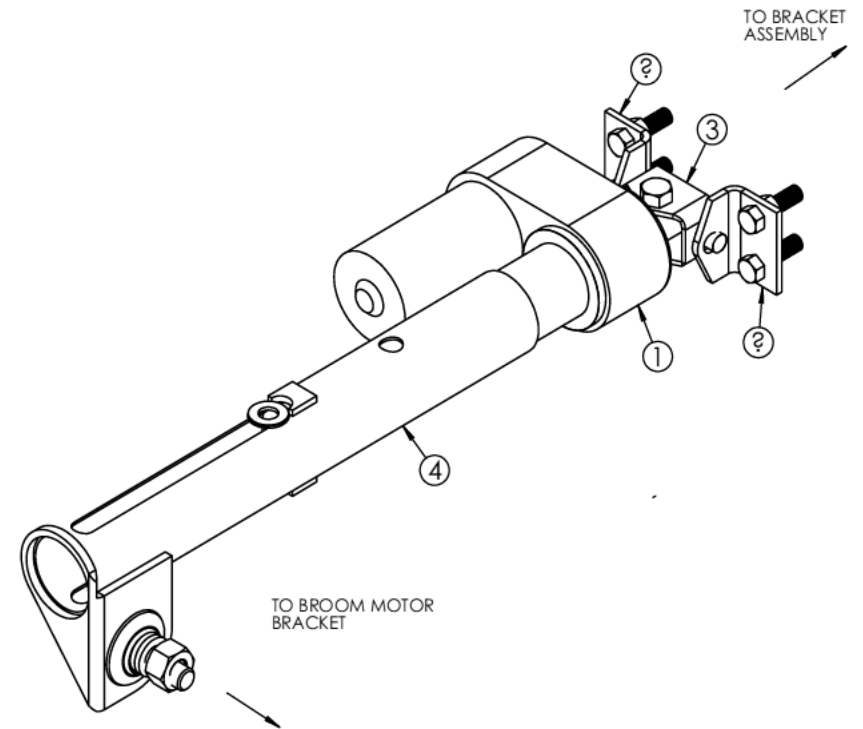
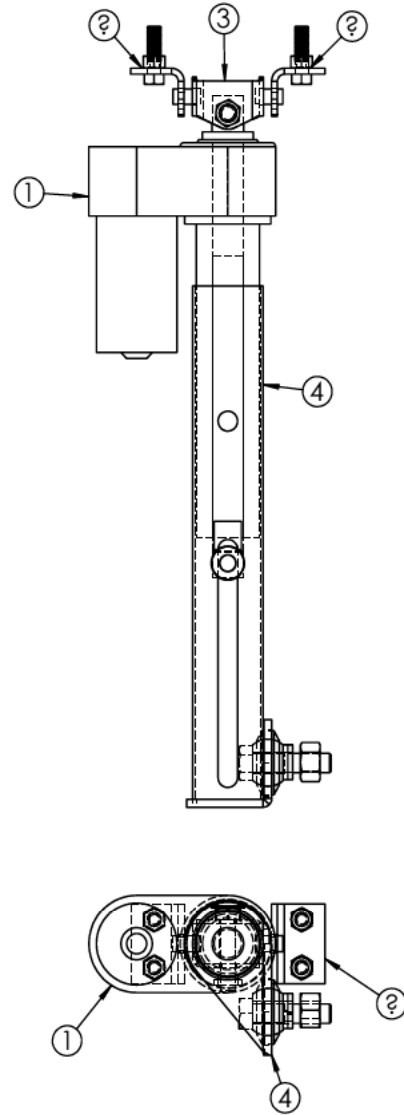
203V40 - GB AIR DOWN PRESSURE



Section 4 - Broom(s)

203M89 - GUTTER BROOM GEO, RH

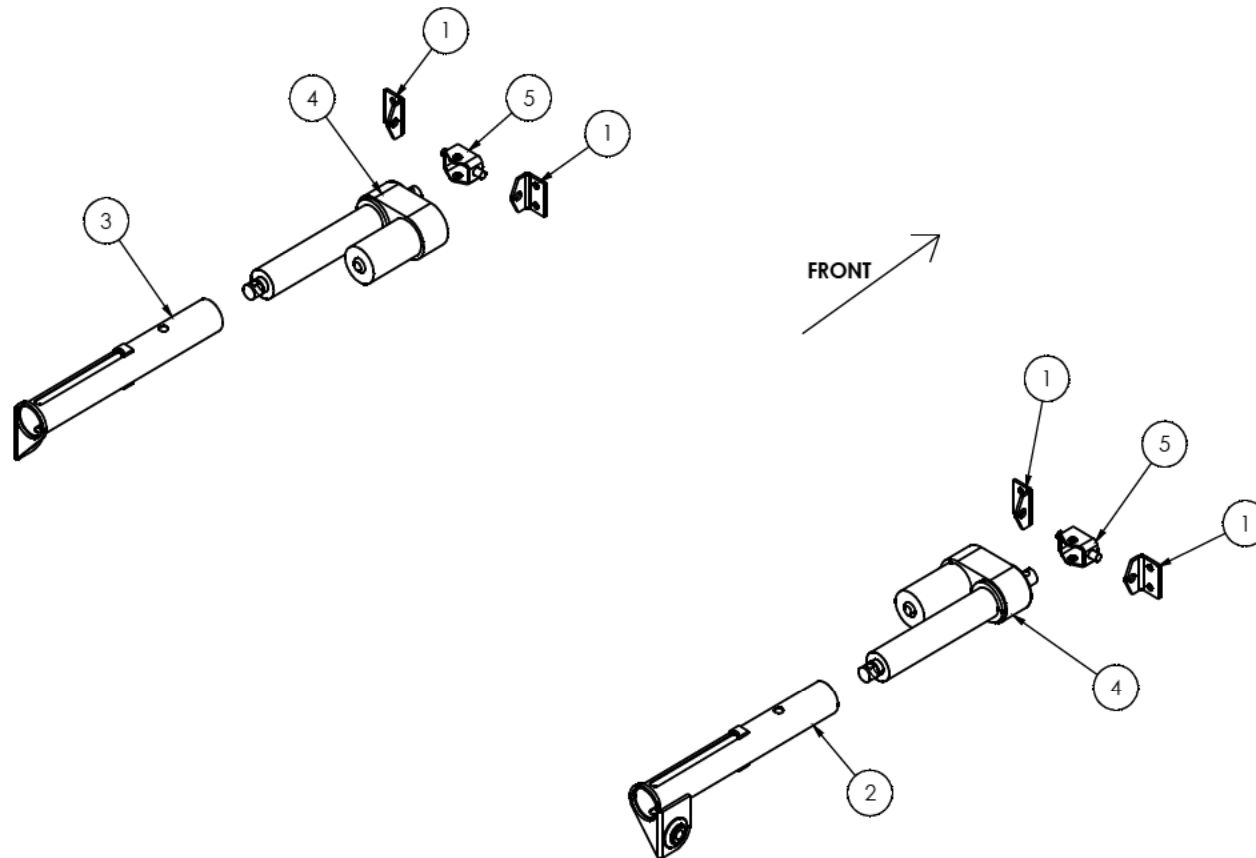
ITEM NO.	PART NUMBER	DESCRIPTION	Broom in/QTY.
1	24139	ACTUATOR, 6", 12V, BALL SCREW	1
2	5211063	HINGE PLATE, ACTUATOR MOUNT	2
3	522146	ACTUATOR, MOUNT, GEO	1
4	523487	TUBE, WIDER GB, RH	1



Section 4 - Broom(s)

203M91 - GUTTER BROOM GEO, DUAL

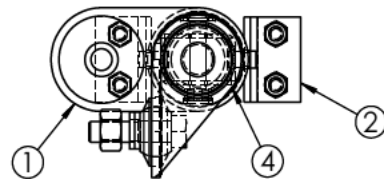
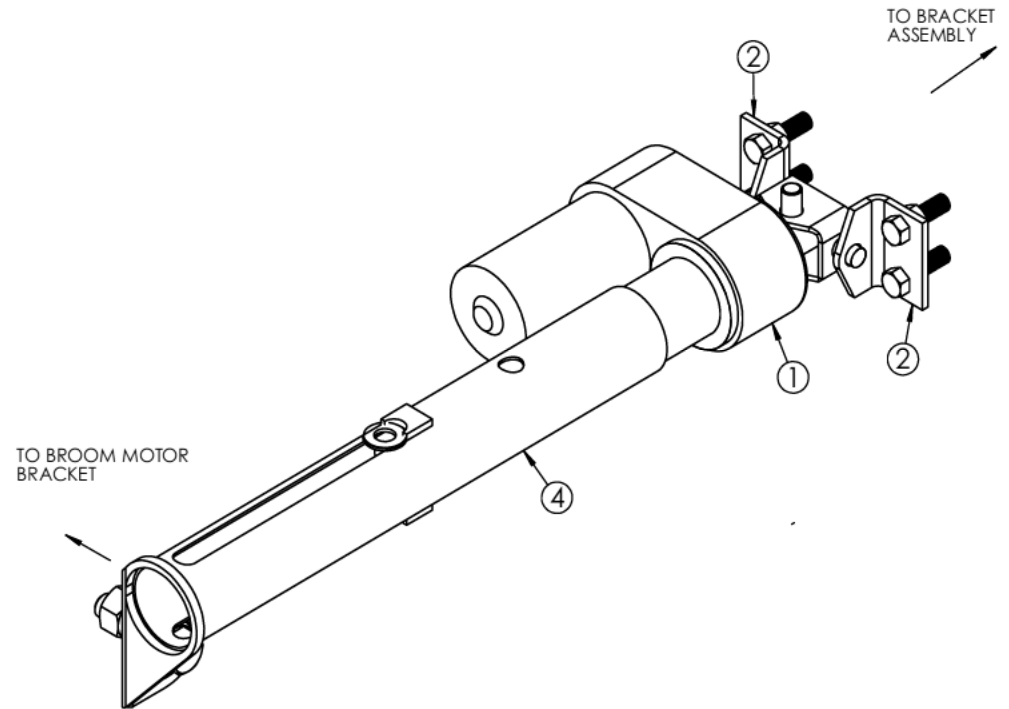
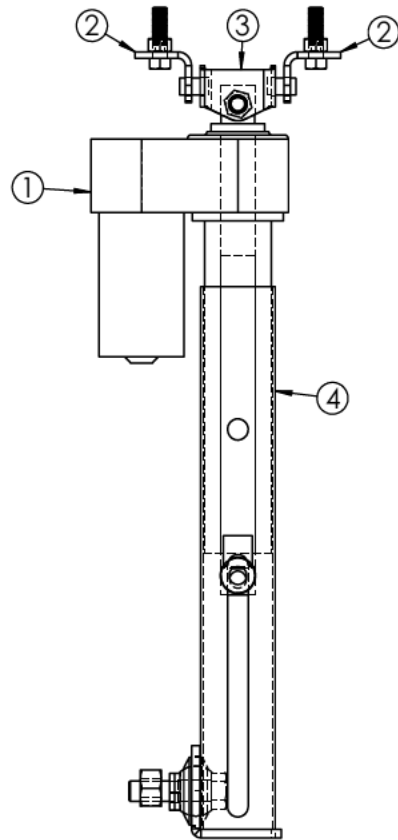
ITEM NO.	PART NUMBER	QTY.	DESCRIPTION
1	5211063	4	HINGE PLATE, ACTUATOR MOUNT
2	523487	1	TUBE, WIDER GB, RH
3	523488	1	TUBE, WIDER GB, LH
4	24139	2	ACTUATOR, 6", 12V, BALL SCREW
5	522146	2	ACTUATOR, MOUNT, GEO



Section 4 - Broom(s)

203M90 - GUTTER BROOM GEO, LH

ITEM NO.	PART NUMBER	DESCRIPTION	Broom in/QTY.
1	24139	ACTUATOR, 6" 12V, BALL SCREW	1
2	5211063	HINGE PLATE, ACTUATOR MOUNT	2
3	522146	ACTUATOR, MOUNT, GEO	1
4	523488	TUBE, WIDER GB, LH	1



Body

5

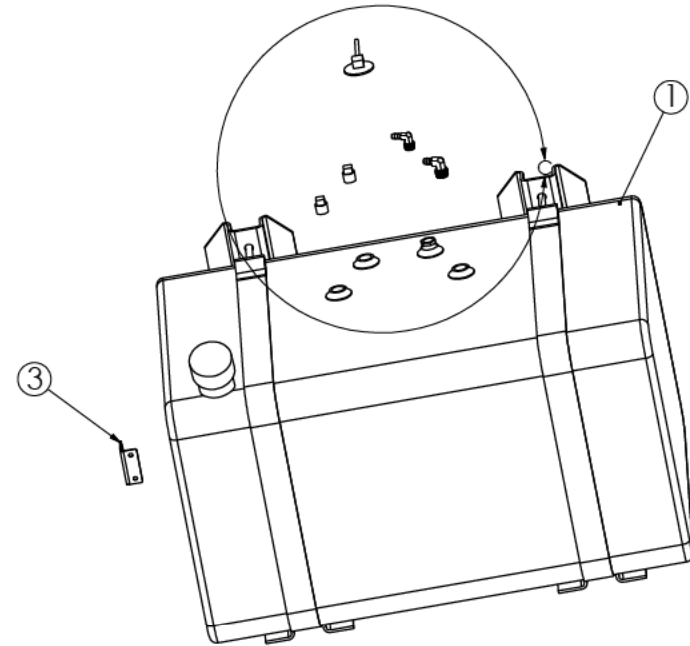
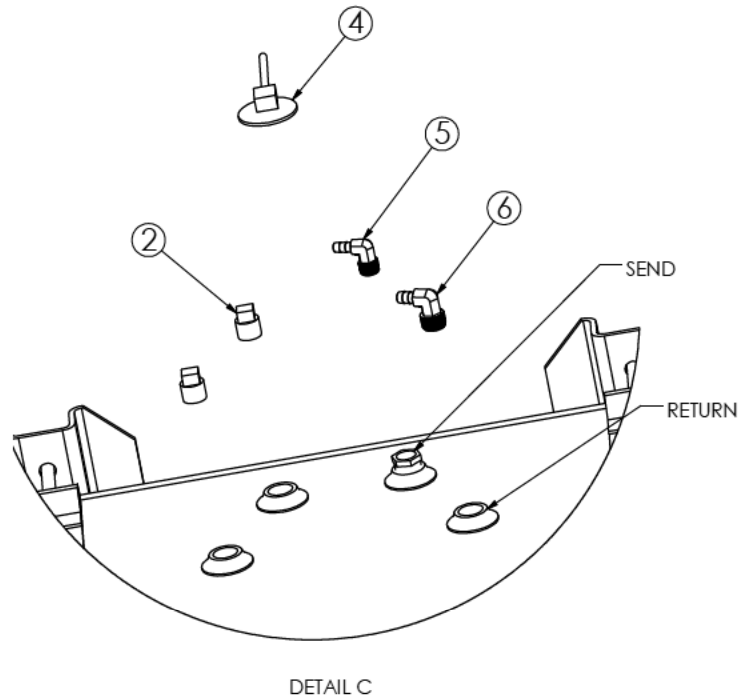
Section 5 - Body

204R57 - FUEL SYSTEM INDEPENDENT

ITEM NO.	PART NUMBER	DESCRIPTION	QTY.
1	28902	TANK, 56 GAL DIESEL FUEL	1
2	20244	PLUG, 1/2" SQUARE HEAD	3
3	5223194	BRCKT, FUEL GAUGE, INDEPT FUEL	1
4	54556	SENDER, FUEL SENDER	1
5	66947	ELBW 90 5/16" BARB TO 3/8 MNPT	1
6	66946	ELBOW, 90 3/8" BARB TO 1/2 MNP	1

ITEMS BELOW NOT SHOWN

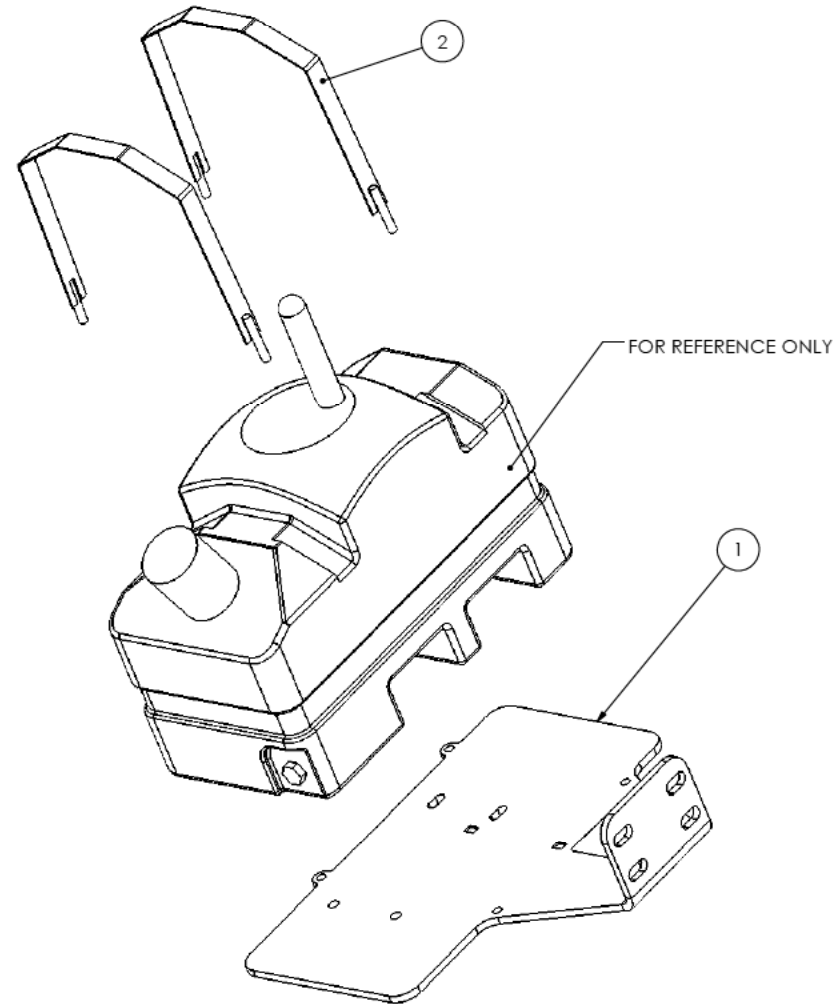
ITEM NO.	PART NUMBER	DESCRIPTION	QTY.
7	24799	GAUGE, FUEL 240 OHM	1
8	65140	BULB KIT FOR 24799	1



Section 5 - Body

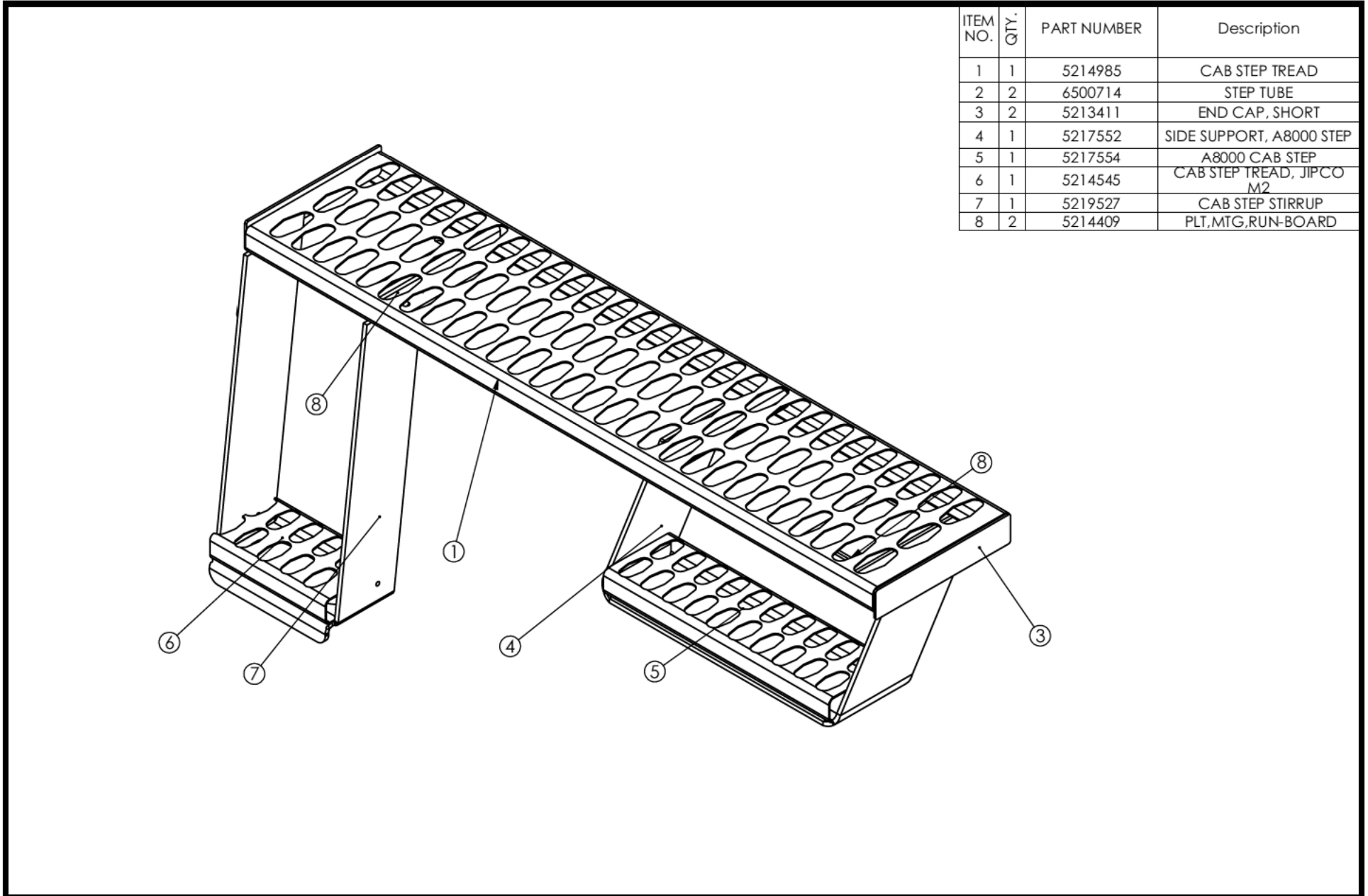
204Q37 - DEF TANK MOUNT

ITEM NO.	PART NUMBER	DESCRIPTION	QTY.
1	525565	WELD, MOUNT, DEF TANK, A7T	1
2	525486	WLD, STRP,DEF TANK,FLAT MNT	2



Section 5 - Body

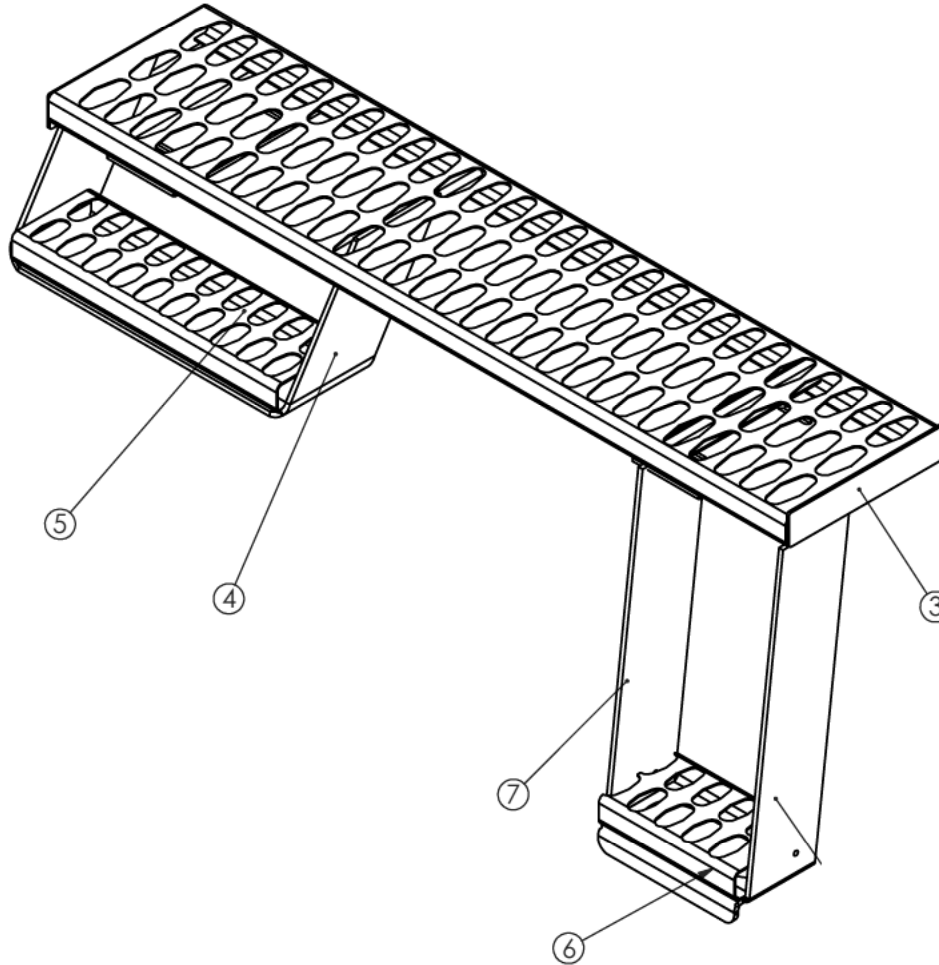
523835 - RUNNING BOARD CAB LH



ITEM NO.	QTY.	PART NUMBER	Description
1	1	5214985	CAB STEP TREAD
2	2	6500714	STEP TUBE
3	2	5213411	END CAP, SHORT
4	1	5217552	SIDE SUPPORT, A8000 STEP
5	1	5217554	A8000 CAB STEP
6	1	5214545	CAB STEP TREAD, JIPCO M2
7	1	5219527	CAB STEP STIRRUP
8	2	5214409	PLT,MTG,RUN-BOARD

Section 5 - Body

523834 - RUNNING BOARD CAB RH

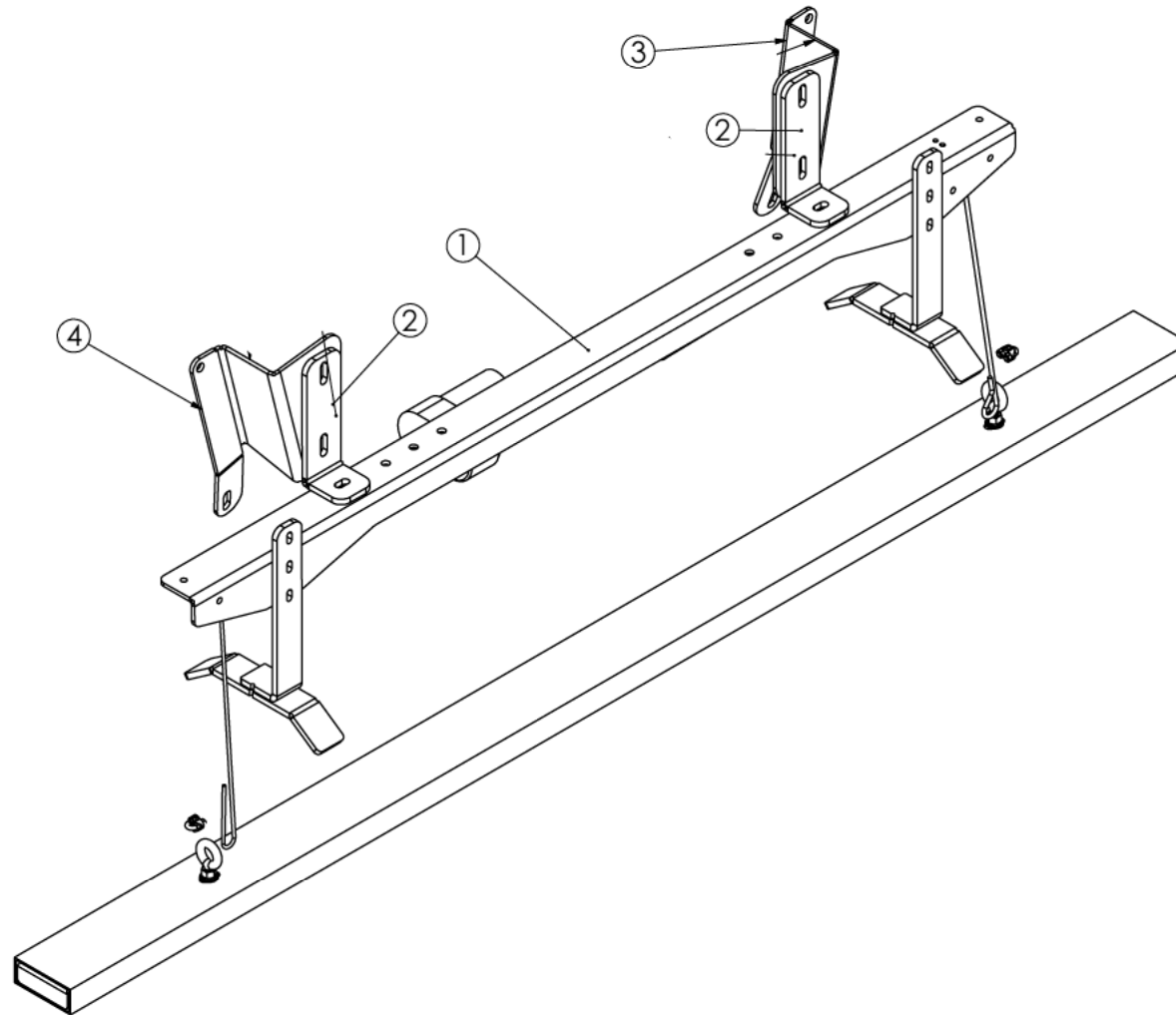


ITEM NO.	QTY.	PART NUMBER	Description
1	1	5214985	CAB STEP TREAD
2	2	6500714	STEP TUBE
3	2	5213411	END CAP, SHORT
4	1	5217552	SIDE SUPPORT, A8000 STEP
5	1	5217554	A8000 CAB STEP
6	1	5214545	CAB STEP TREAD, JIPCO M2
7	1	5219527	CAB STEP STIRRUP
8	2	5214409	PLT,MTG,RUN-BOARD

Section 5 - Body

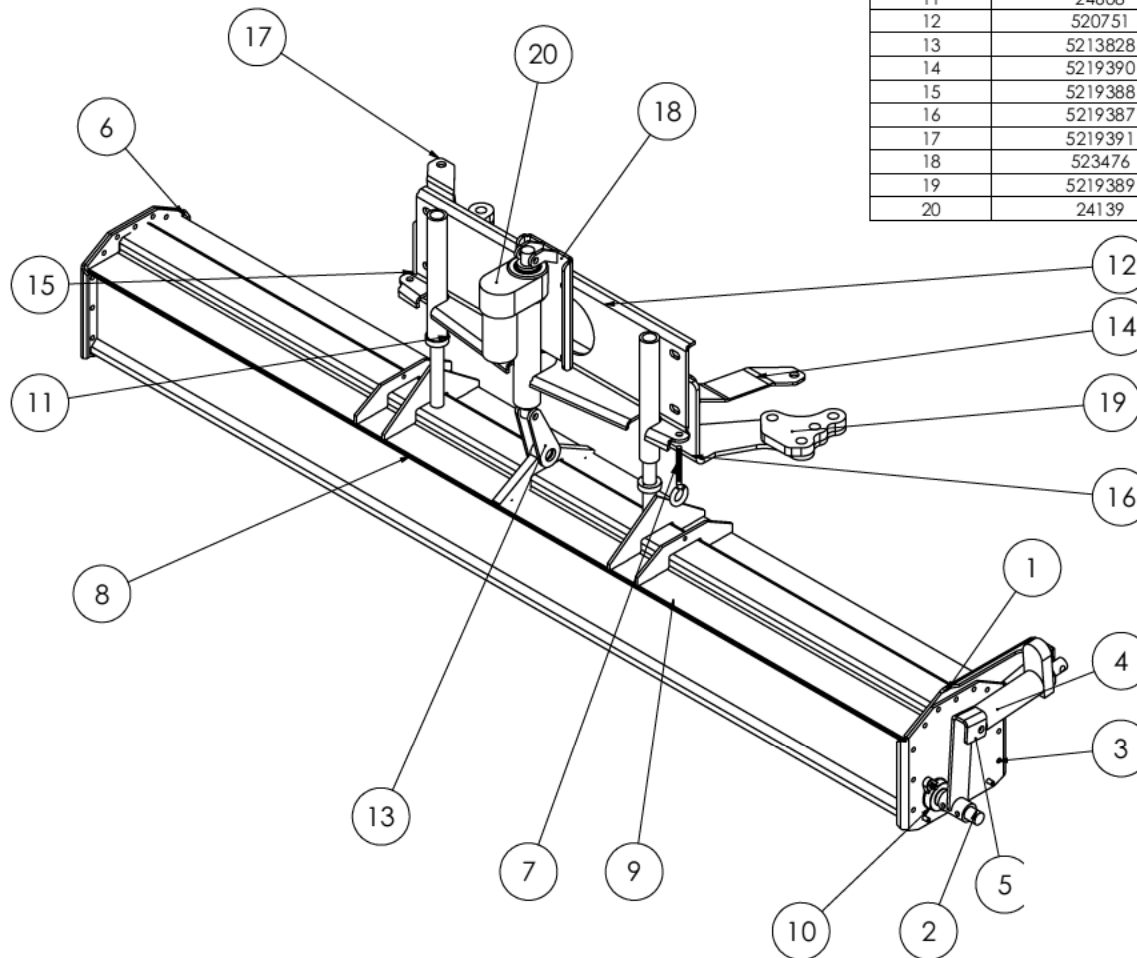
204A37 - BAR MAGNET MOUNT 90" IH

ITEM NO.	PART NUMBER	QTY.	DESCRIPTION
1	203Z84	1	ASSY, 90" BAR MAGNET
2	5217225	2	HANGER,BKT,B-MAG,A7-08
3	5217653	1	BKT,MTG,LH,B-MAG,IH-08
4	5217654	1	BKT,MTG,RH,B-MAG,IH-08



Section 5 - Body

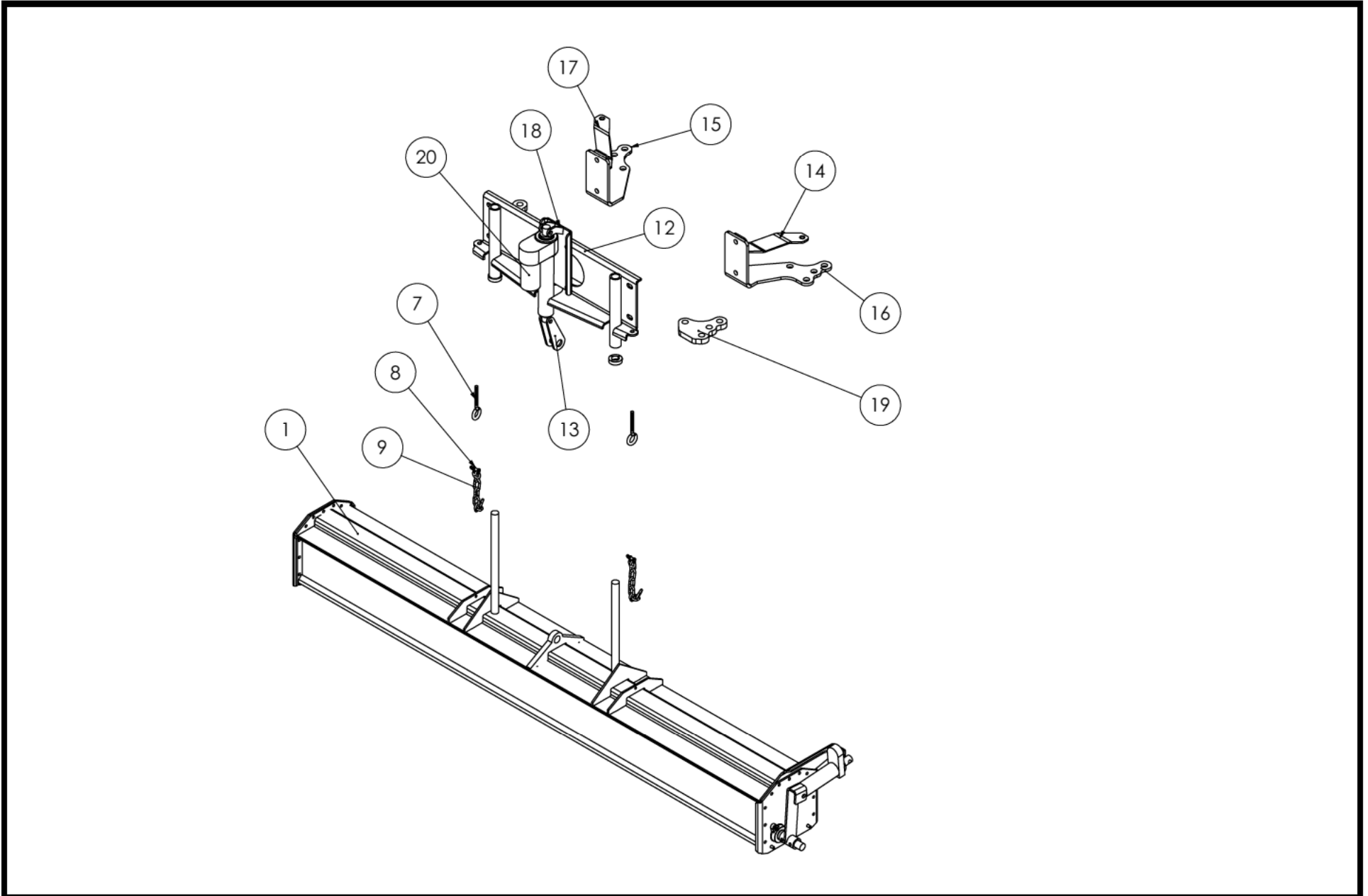
204D68 - SELF DUMP MAGNET, IH



ITEM NO.	PART NUMBER	Default/QTY.	DESCRIPTION
1	520750	1	BAR MAGNET HOUSING, SELF DUMP
2	520752	1	BAR MAGNET CASING (HYD)
3	5203407	1	PLATE, LH COVER HOUSING,MAGNET
4	20035	1	ACTUATOR, 6"
5	520753	1	ACTUATOR LIFTING ARM, MAGNET
6	5203413	1	BAR MAGNET HOUSING PLATE RIGHT
7	30620	2	EYEBOLT, 3/8-16 X 3"
8	20000	2	SHACKLE, 1/4" ANCHOR
9	20814-7	2	CHAIN, 1/4 7 LINKS
10	21801	2	BEARING, 1" BORE FLANGE TYPE
11	24608	2	COLLAR, 1" I.D. SPLIT LOCKING
12	520751	1	WELD, BKT, MNTG, BMPR, REM-MAG
13	5213828	2	LINK, ACTUATOR MAGNET LIFT
14	5219390	1	MNT, IH SELF DUMP MAG UPPER LH
15	5219388	1	MNT, IH SELF DUMP MAG LOWER RH
16	5219387	1	MNT, IH SELF DUMP MAG LOWER LH
17	5219391	1	MNT, IH SELF DUMP MAG UPPER RH
18	523476	1	MOUNT, ACTUATOR MAGNET IH
19	5219389	2	SPACER, IH SELF DUMP MAGNET
20	24139	1	ACTUATOR, 6", 12V, BALL SCREW

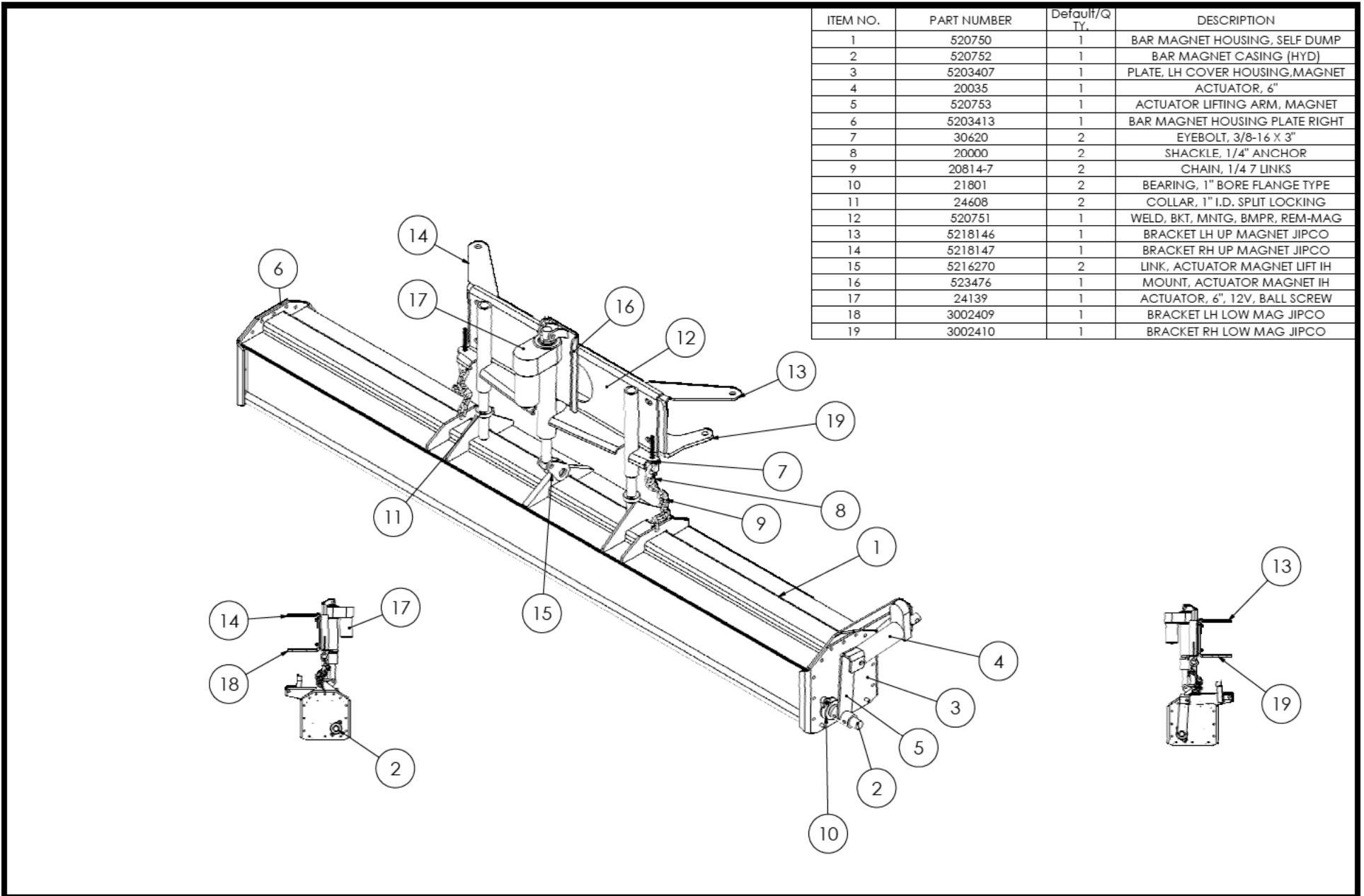
Section 5 - Body

204D68 - SELF DUMP MAGNET, IH



Section 5 - Body

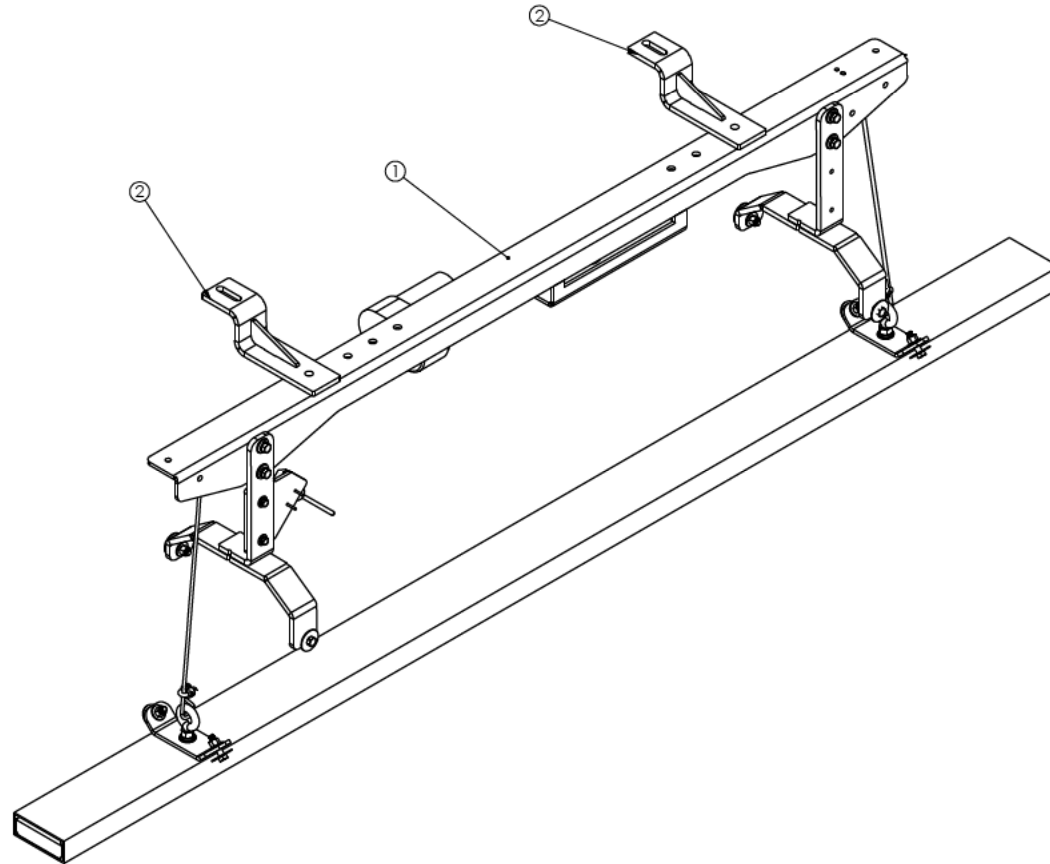
204L62 - SELF DUMP MAGNET JIPCO M2



Section 5 - Body

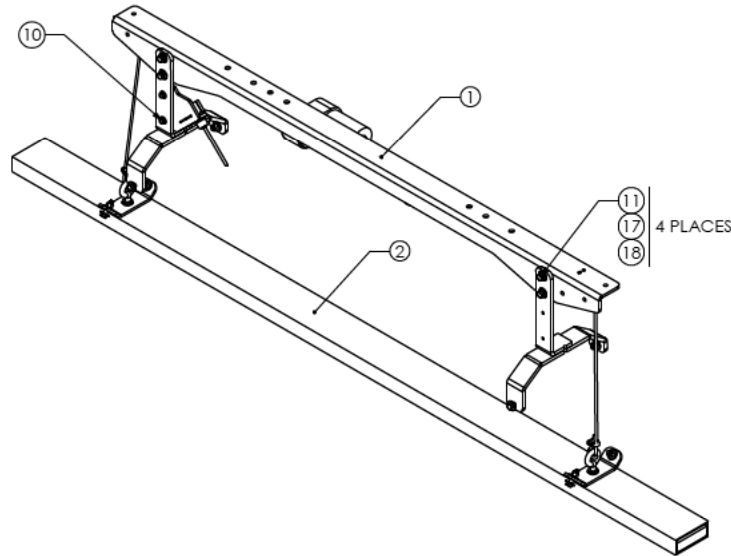
204H16 - MAGNET BAR 90" MOUNT M2

ITEM NO.	PART NUMBER	QTY.	DESCRIPTION
1	204H15	1	ASSY, 90" BAR MAGNET, OPTION
2	523862	2	BKT, MTG, B-MAG, M2

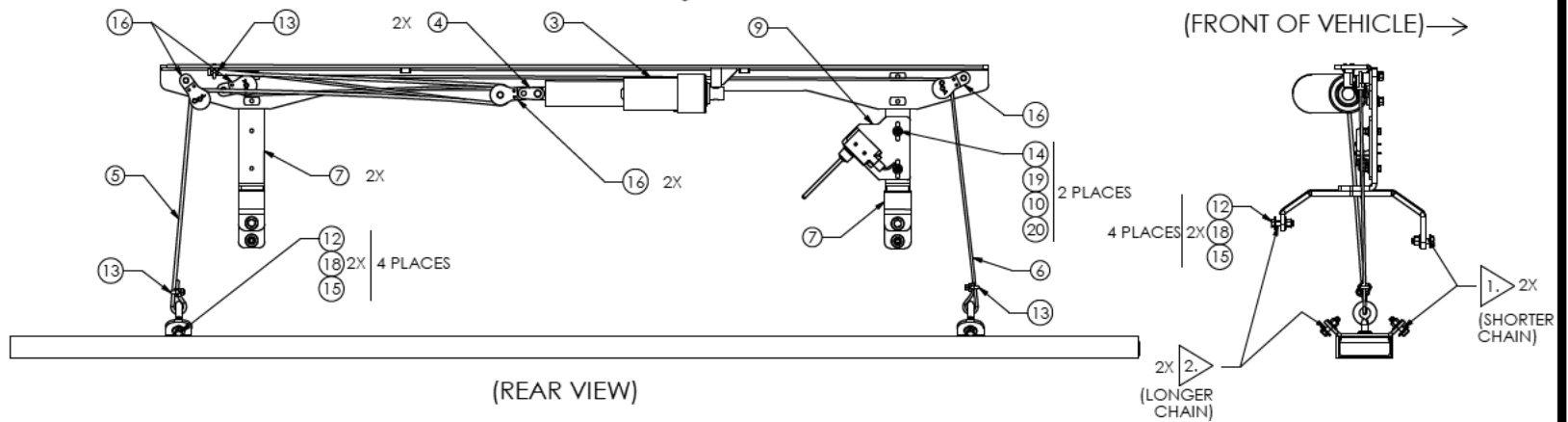


Section 5 - Body

204H15 - MAGNET BAR 90"



ITEM NO.	PART NUMBER	Default/QTY.	DESCRIPTION
1	523753	1	WELD,BKT,B-MGNT,A7-08
2	204H14	1	BAR MAGNET, WITH BRACKETS, 90
3	20036R	1	8" ACTUATER, ROTATED
4	5217228	2	LINK,PULLER,B-MAG,A7-08
5	22099-76	1	MAGNET CABLE, RH-SIDE
6	22099-314	1	MAGNET CABLE, LH-SIDE
7	524669	2	UPSTOP, W SENSOR MOUNT, WLDMT
8	21506	1	LIMIT SWITCH
9	5219918	1	BRACKET, LIMIT INDICATOR
10	30653	2	BOLT, 1/4-20X1.25
11	30671	4	3/8-16 X 1.0 HEX BOLT G5
12	30673	8	BOLT,3/8-16 UNC X 1 1/2,HEX
13	21824	3	CLAMP, 3/16" CABLE
14	31149	2	1/4-20 LOCK NUT
15	31154	8	NUT, 3/8-16 NYLOCK
16	20218	5	PULLEY BLOCK
17	32128	4	LOCK WASHER 3/8
18	31593	20	FLAT WASHER 3/8
19	31589	4	WASHER,1/4 FLAT
20	31604	2	WASHER,1/4 LOCK
21	20815-12	2	CHAIN, 3/16" LINKS
22	20815-14	2	CHAIN, 3/16" LINKS



(REAR VIEW)

NOTES:

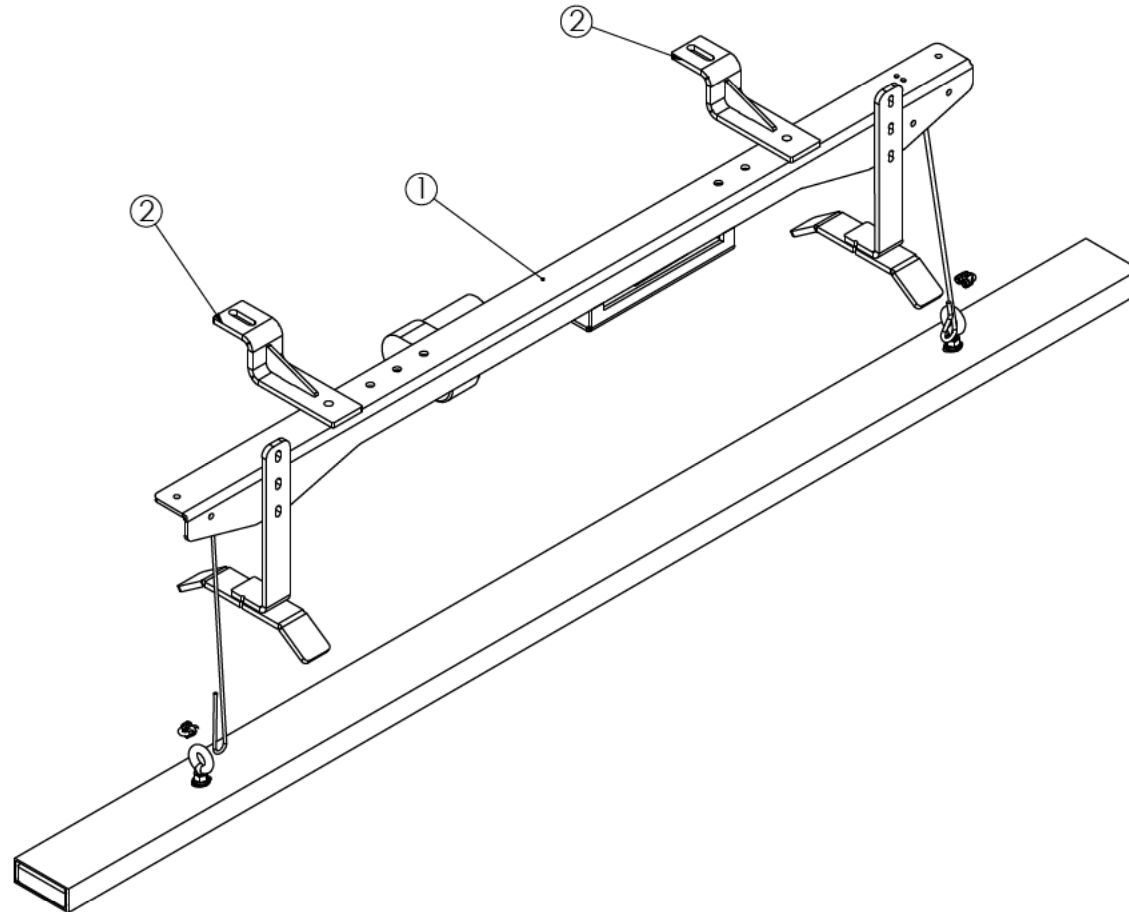
1. INSTALL F/N: 21 AS SHOWN

2. INSTALL F/N: 22 AS SHOWN

Section 5 - Body

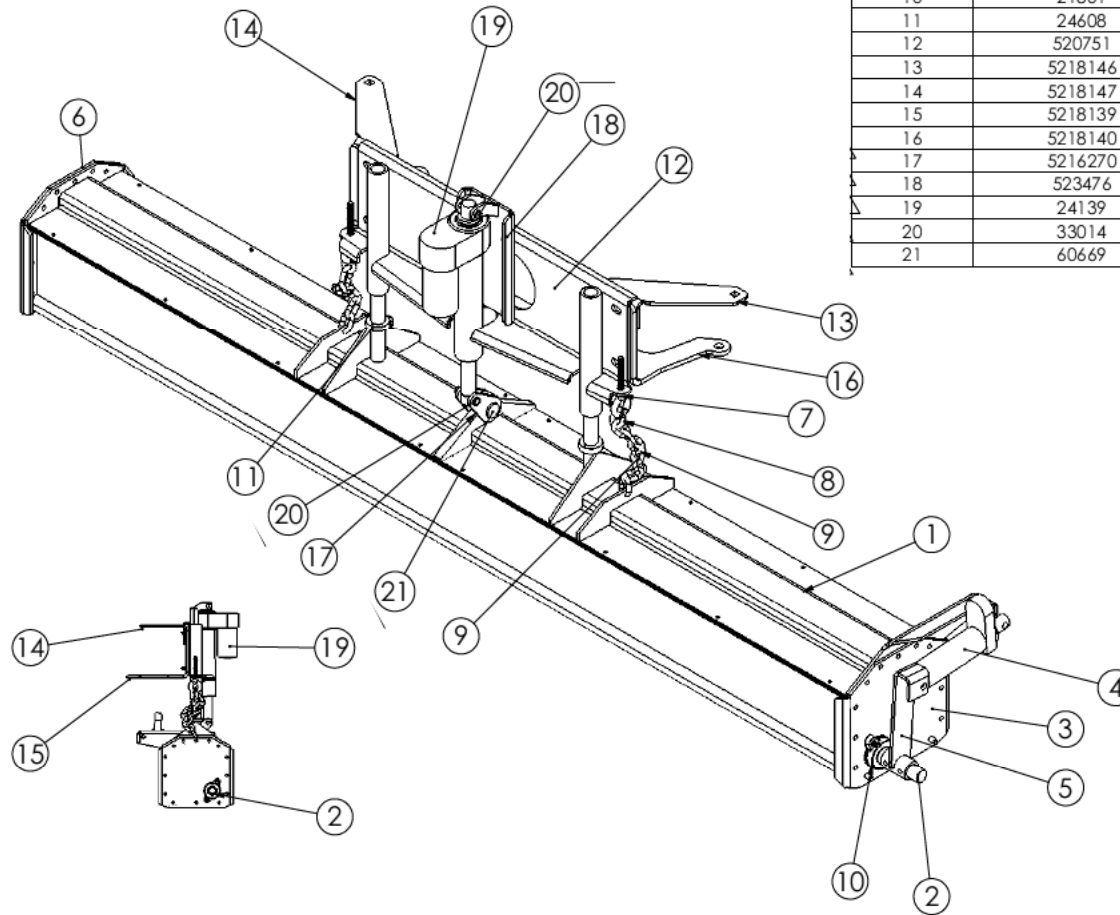
204A38 - BAR MAGNET MOUNT 90"

ITEM NO.	PART NUMBER	QTY.	DESCRIPTION
1	203284	1	ASSY, 90" BAR MAGNET
2	523862	2	BKT, MTG, B-MAG, M2



Section 5 - Body

203X78 - SELF DUMP MAGNET M2

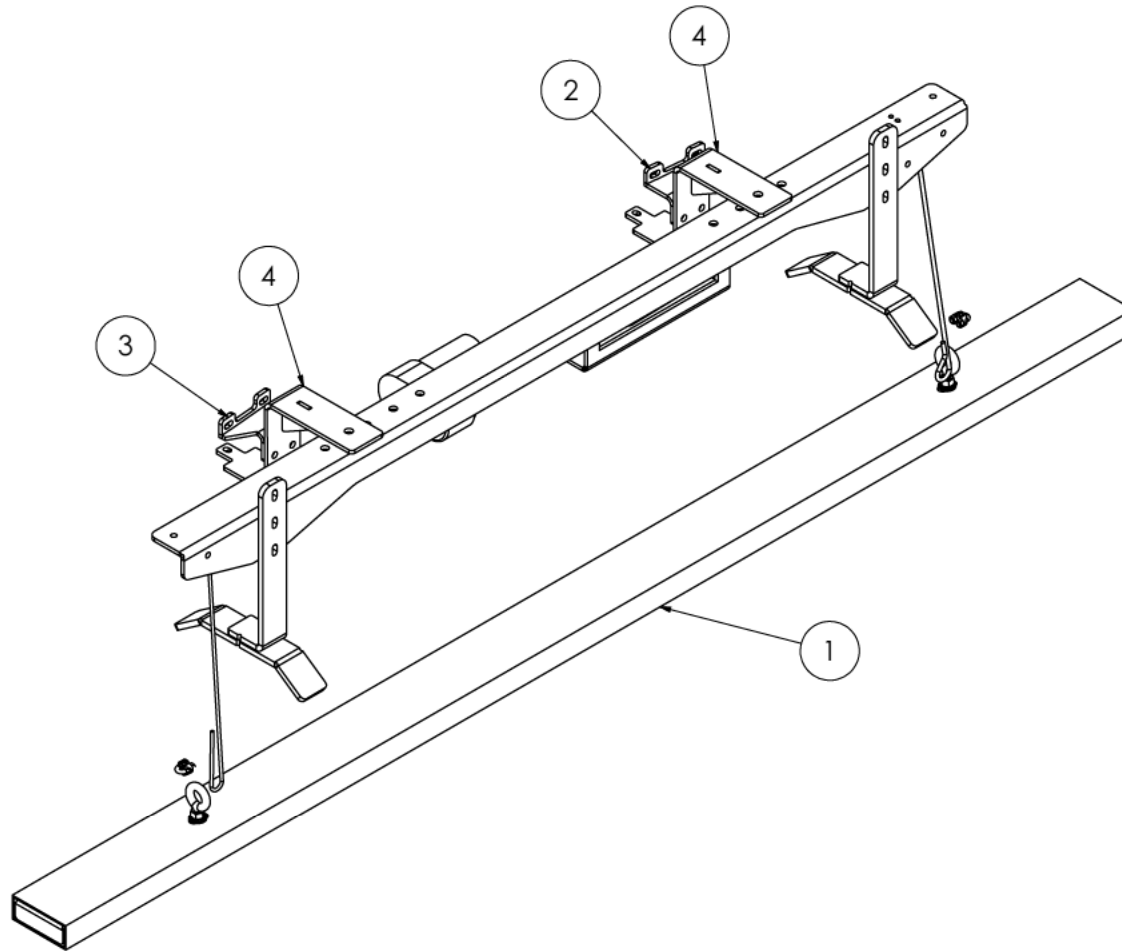


ITEM NO.	PART NUMBER	Default/QTY.	DESCRIPTION
1	520750	1	BAR MAGNET HOUSING, SELF DUMP
2	520752	1	BAR MAGNET CASING (HYD)
3	5203407	1	PLATE, LH COVER HOUSING,MAGNET
4	20035	1	ACTUATOR, 6"
5	520753	1	ACTUATOR LIFTING ARM, MAGNET
6	5203413	1	BAR MAGNET HOUSING PLATE RIGHT
7	30620	2	EYEBOLT, 3/8-16 X 3"
8	20000	2	SHACKLE, 1/4" ANCHOR
9	20814-7	2	CHAIN, 1/4 7 LINKS
10	21801	2	BEARING, 1" BORE FLANGE TYPE
11	24608	2	COLLAR, 1" I.D. SPLIT LOCKING
12	520751	1	WELD, BKT, MNTG, BMPR, REM-MAG
13	5218146	1	BRACKET LH UP MAGNET JIPCO
14	5218147	1	BRACKET RH UP MAGNET JIPCO
15	5218139	1	ANCHOR,BKT,RH,REM-MAG,M2
16	5218140	1	ANCHOR,BKT,LH,REM-MAG,M2
17	5216270	2	LINK, ACTUATOR MAGNET LIFT IH
18	523476	1	MOUNT, ACTUATOR MAGNET IH
19	24139	1	ACTUATOR, 6", 12V, BALL SCREW
20	33014	2	.500 X 2.0 CLEVIS PIN
21	60669	1	CLEVIS PIN, 1" DIA, 2" USABLE

Section 5 - Body

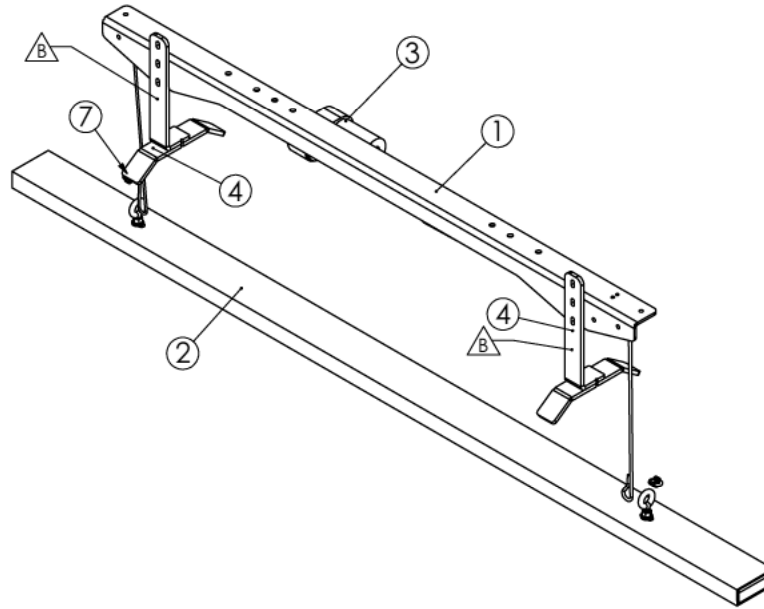
204L15- BAR MAGNET 90" MOUNT

ITEM NO.	PART NUMBER	QTY.	DESCRIPTION
1	203284	1	ASSY, 90" BAR MAGNET
2	300879	1	BRACKET LH, BAR MAG KENWORTH
3	300881	1	BRACKET RH, BAR MAG KENWORTH
4	300880	2	BRACKET, BAR MAG KENWORTH

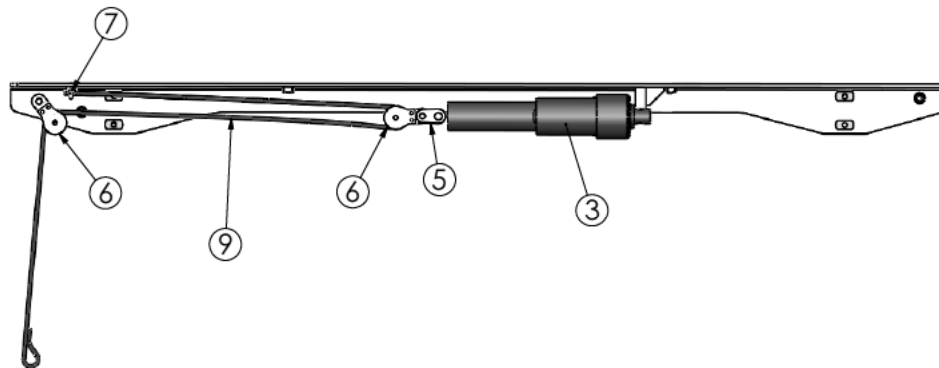
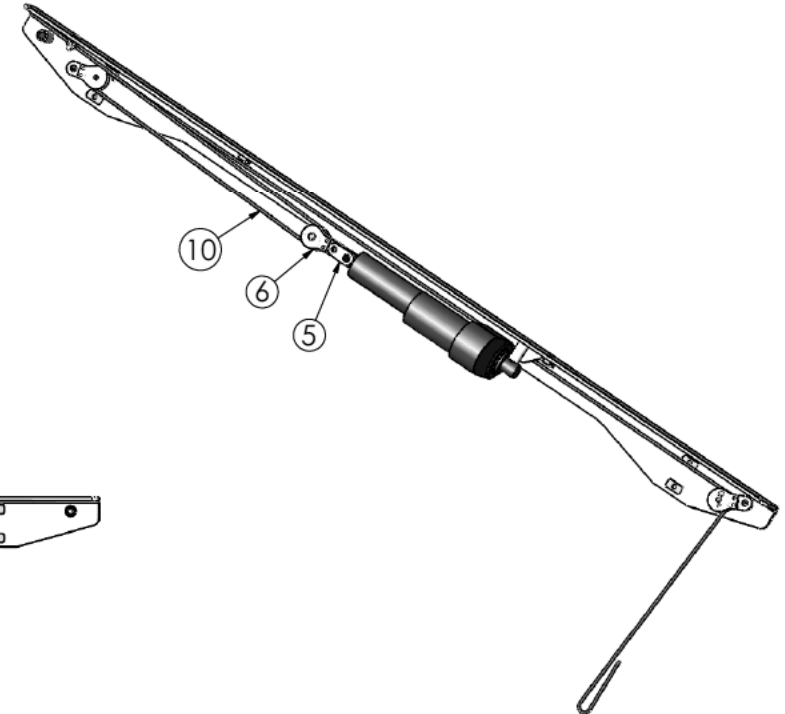


Section 5 - Body

203Z84 - BAR MAGNET 90"



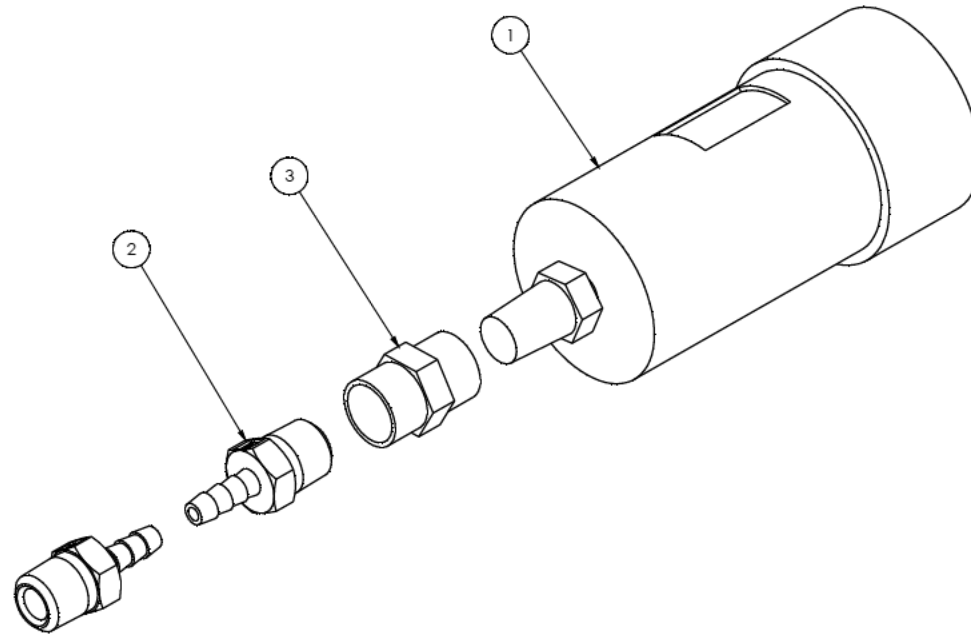
ITEM NO.	PART NUMBER	QTY.	DESCRIPTION
1	523753	1	WELD,BKT,B-MGNT,A7-08
2	521248	1	BAR MAGNET, 90"
3	20036R	1	8" ACTUATOR, ROTATED
4	524421	2	UPSTOP, MAGNET, 10.125" LONG
5	5217228	2	LINK,PULLER,B-MAG,A7-08
6	20218	5	PULLEY BLOCK
7	21824	3	CLAMP, 3/16" CABLE
8	203472	1	CONSOLE,MAGNET,BAR,90"
9	22099-75	1	MAGNET CABLE, RH-SIDE
10	22099-132	1	MAGNET CABLE, LH-SIDE



Section 5 - Body



203465 - INDICATOR, AF REST, CHASSIS

ITEM NO.	PART NUMBER	QTY.	DESCRIPTION
1	24287	1	AIR FILTER RESTRICTION INDICAT
2	20065	2	FITTING, 1/8 X 1/8 NPT
3	20131	1	COUPLING, 1/8 NPT BRASS



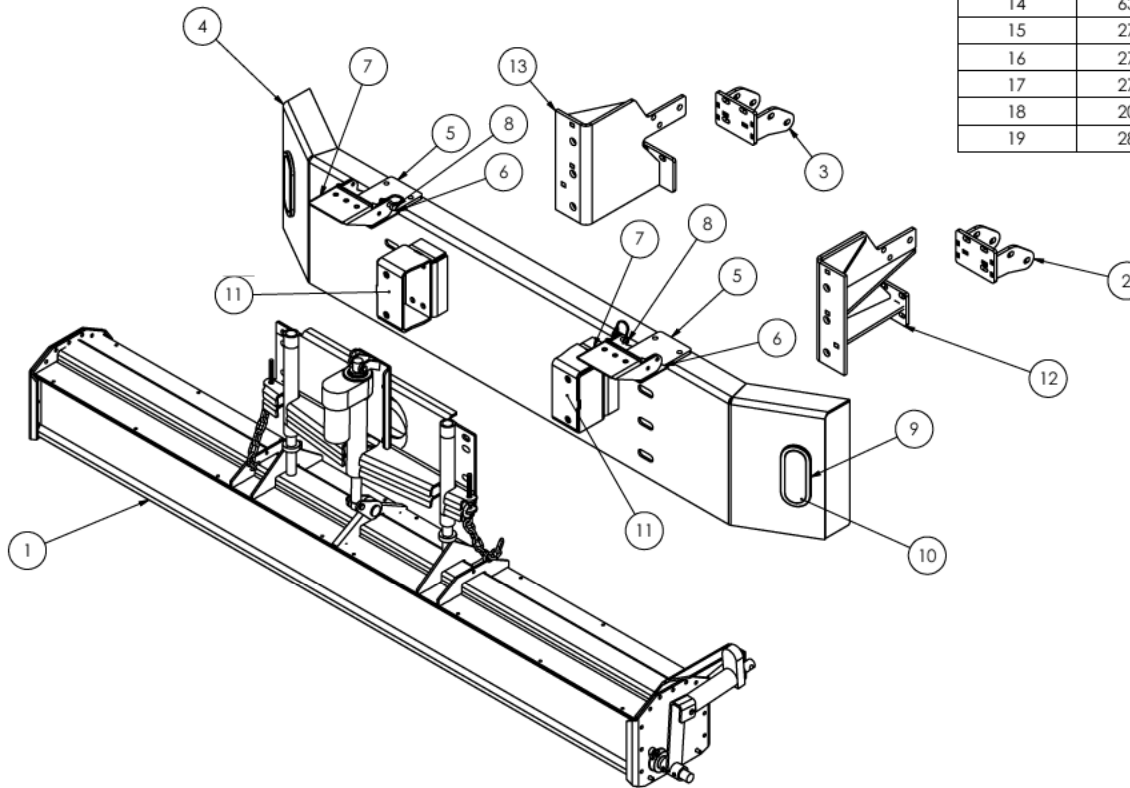
Section 5 - Body

204P03 - SELF DUMP MAGNET, PB/KW

ITEM NO.	PART NUMBER	DESCRIPTION	QTY.
1	203X78	ASSY,REM-MAG,A7000-M2-10	1
2	750331	WLDMNT, BMPER BRKT, LH,PB 2015	1
3	750329	WLDMNT, BMPER BRKT, RH,PB 2015	1
4	651133	BUMPER WELD A7 PB/KW DUMP MAG	1
5	7501122	PLATE, LIGHT BRKT EXT.	2
6	7501044	LOWER BKT, LIGHT KIT, RP AC	2
7	7501125	UPPER BKT, LIGHT KIT, PETER 22	2
8	28194	PIN, SAFTEY SNAP .38 X 1.5"	2
9	59875	GROMMET, OVAL 6"	2
10	54209	LIGHT, 6.5" WIDE, AMBER, LED	2
11	525700	WELD,STNDOFF,SELF DMP,PB/KW	2
 12	525764	BRKT LH BUMPER A7 PB/KW SD MAG	1
 13	525765	BRKT RH BUMPER A7 PB/KW SD MAG	1

ITEMS BELOW NOT SHOWN

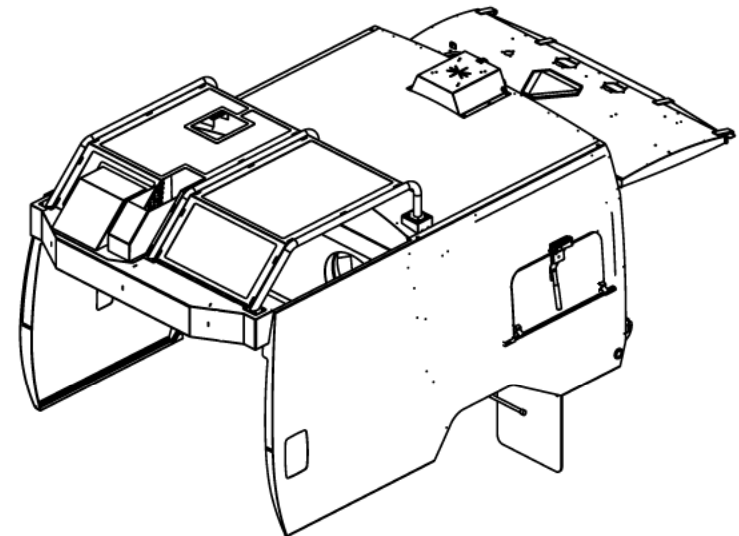
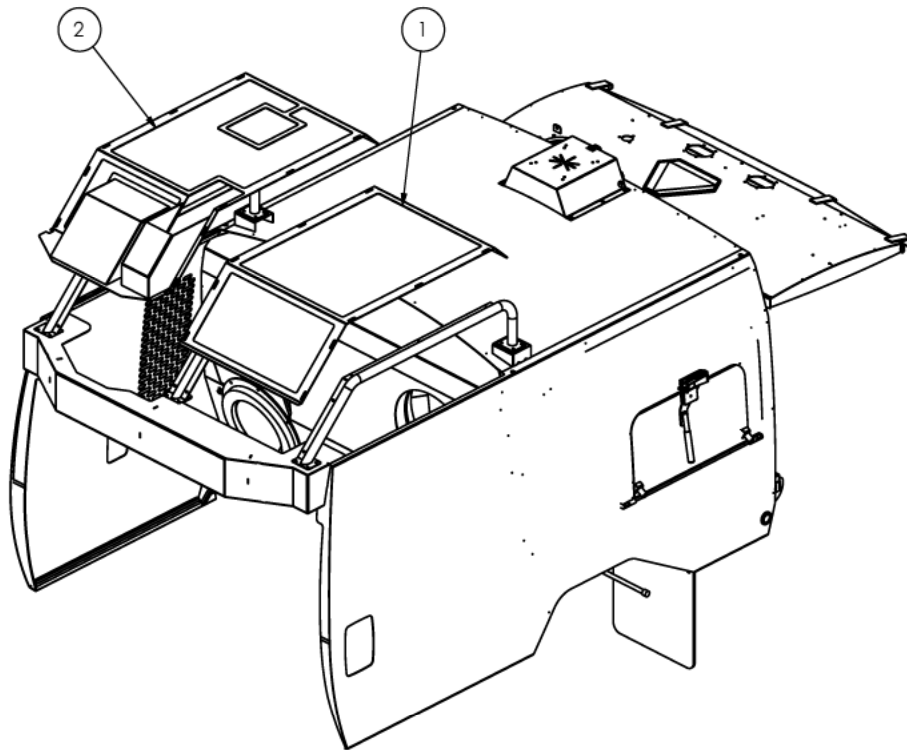
ITEM NO.	PART NUMBER	DESCRIPTION	QTY.
14	63347	HEAD LIGHT KIT, RP006	1
15	27232	SWITCH ACTUATOR, FLOOD LIGHTS	1
16	27268	SWITCH, DPDT O-F-O, ROCKER	1
17	27264	SWITCH CONNECTOR, CARLING	1
18	20743	BREAKER, 20 AMP	1
19	28731	PIGTAIL, RED, WHITE, AND BLACK	2



Section 5 - Body

204T46 - ENGINE SCREENS TIER 4

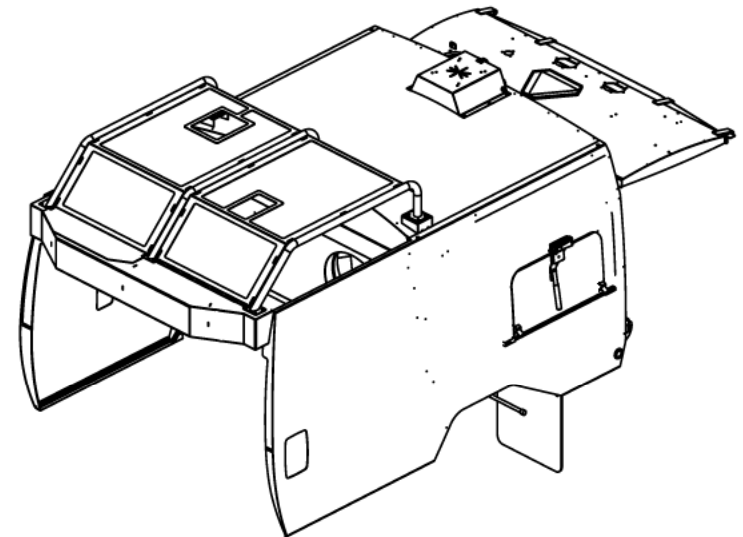
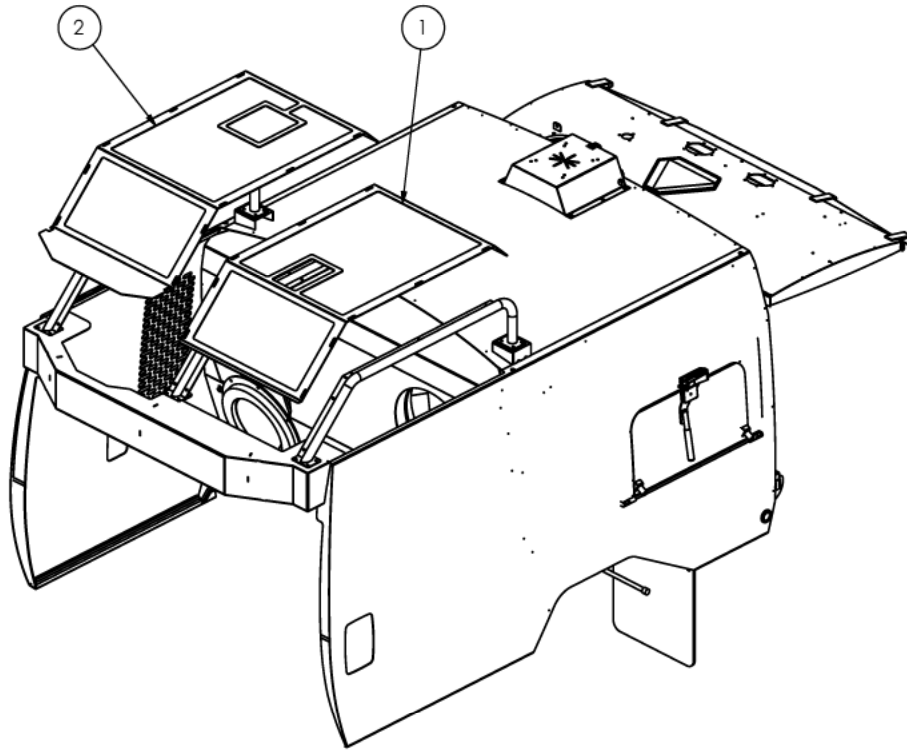
ITEM NO.	PART NUMBER	QTY.	DESCRIPTION
1	525108	1	ENGINE SCREEN, RH WELD
2	525109	1	ENGINE SCREEN, LH WELD



Section 5 - Body

204T47 - ENGINE SCREENS TIER 3

ITEM NO.	PART NUMBER	QTY.	DESCRIPTION
1	525704	1	ENG SCREEN WELD, T3, RH
2	525703	1	ENG SCREEN, WELD, T3, LH



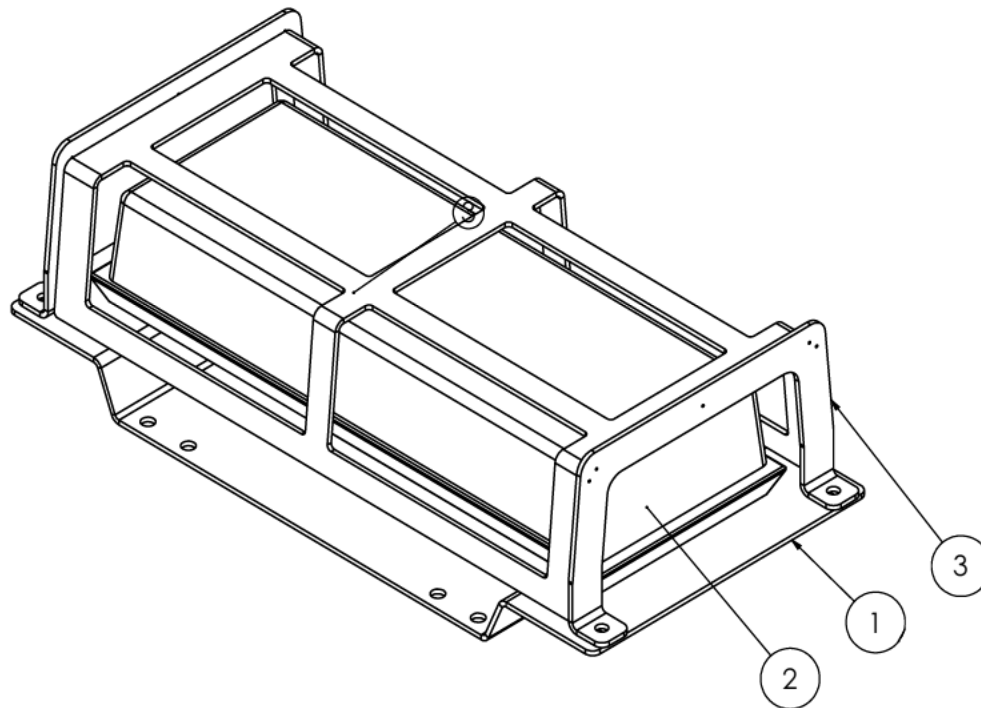
Section 5 - Body

204J76 - BARLITE, PBILT

ITEM NO.	PART NUMBER	QTY.	DESCRIPTION
1	5221500	1	BKT,STROBE, PTR BT,MINI-LED,A7
2	61523	1	MINI LED BARLIGHT
3	524082	1	GUARD, MINI LED BARLIGHT

ITEMS NOT SHOWN

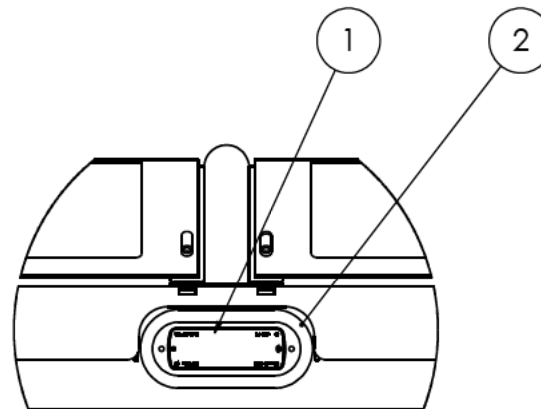
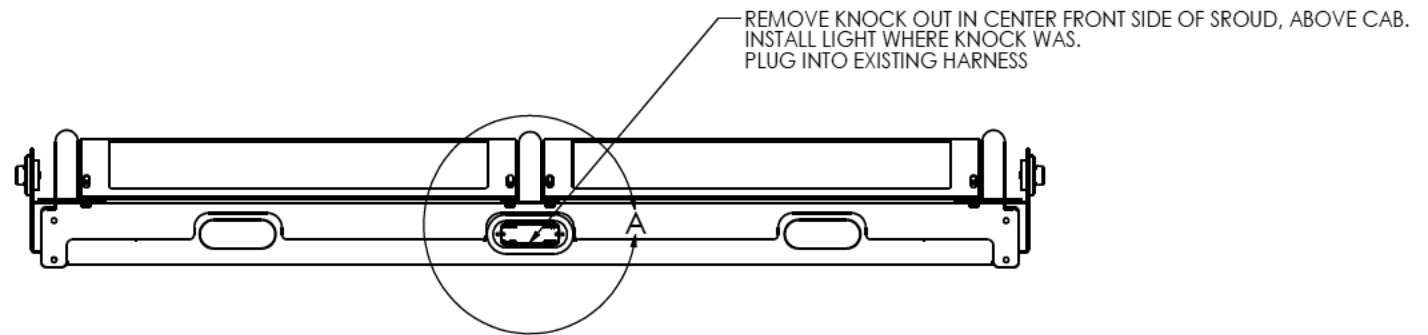
ITEM NO.	PART NUMBER	QTY.	DESCRIPTION
4	20139	3	CLAMP, .50" RUBBER LINED
5	20529-4	1	TUBING,3/8 NYLON AIR, 10 FEET



Section 5 - Body

204L36 - STROBE FRONT SHROUD

ITEM NO.	PART NUMBER	QTY.	DESCRIPTION
1	65913	1	500 V-SERIES WARNING LIGHT
2	65914	1	GROMMET MOUNT, WARNING LIGHT



Section 5 - Body

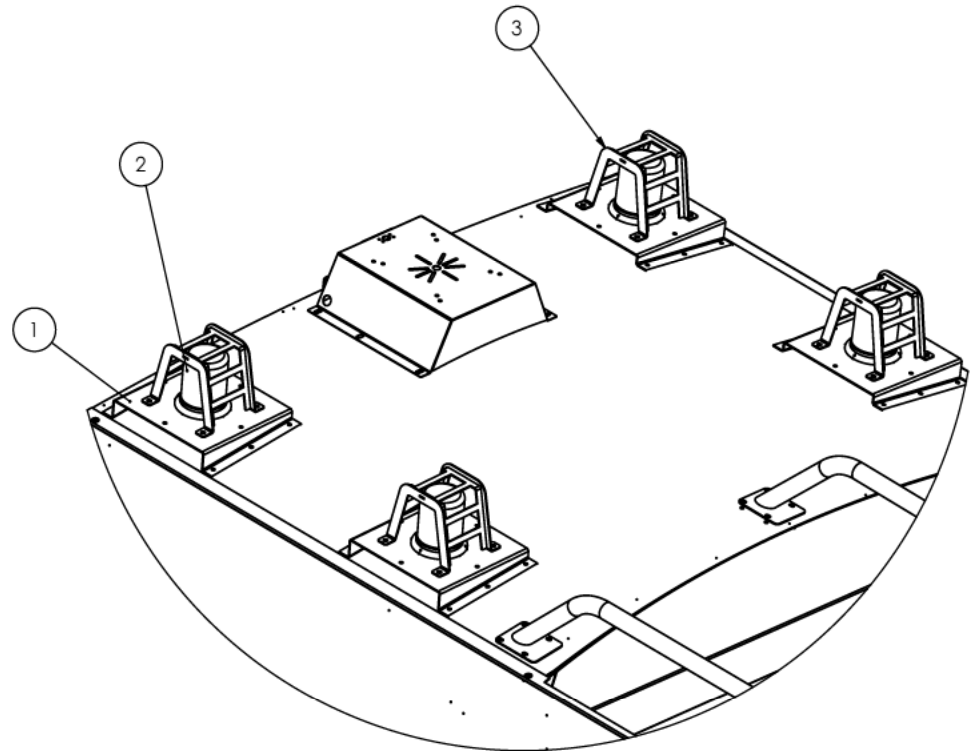
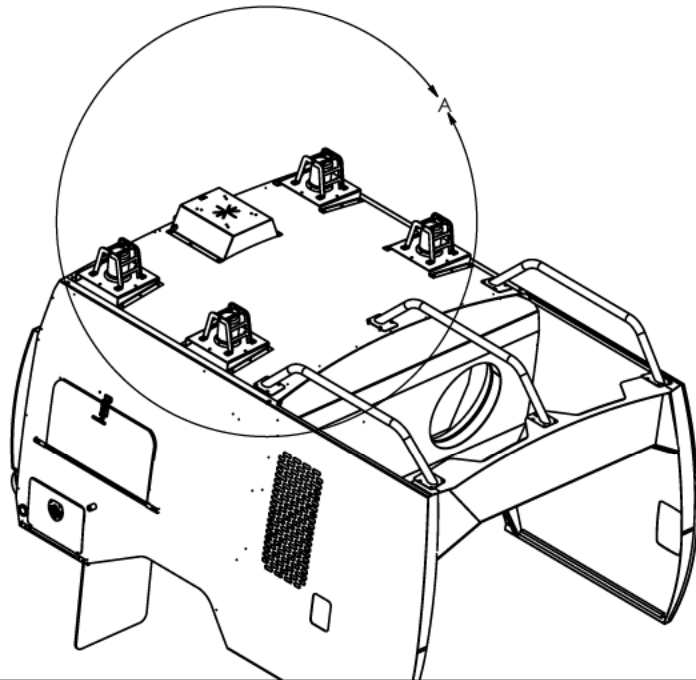
204L46 - STROBE REAR QUAD

ITEM NO.	PART NUMBER	QTY.	DESCRIPTION
1	5213378	4	BRACKET, DUAL BEACON
2	61935	4	BEACON, LED, CLASS 1 AMBER
3	525716	4	LIMB GUARD, BEACON

ITEM NOT SHOWN

ITEM NO.	PART NUMBER	QTY.	DESCRIPTION
4	203429	1	CONSOLE KIT, STROBE/BEACN/BARL

HOPPER SHOWN FOR QUAD STROBE PLACEMENT



DETAIL A

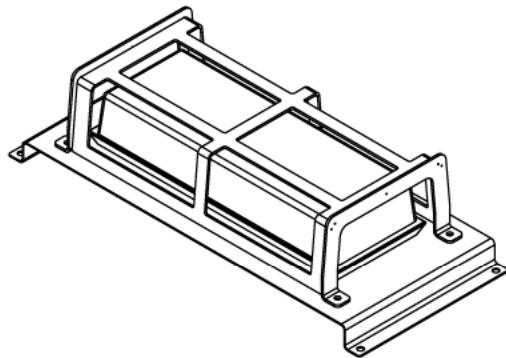
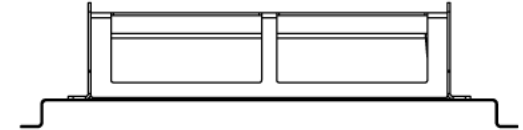
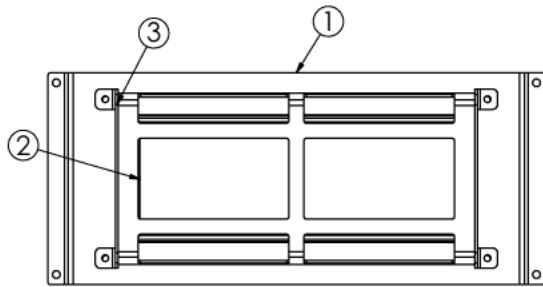
Section 5 - Body

204B10 - MINI BARLIGHT

ITEM NO.	PART NUMBER	Default/QTY.	DESCRIPTION
1	5218155	1	BRACKET, MINI LED BARLIGHT
2	61523	1	MINI LED BARLIGHT
3	524082	1	GUARD, MINI LED BARLIGHT

ITEMS NOT SHOWN

ITEM NO.	PART NUMBER	Default/QTY.	DESCRIPTION
4	20139	3	CLAMP, .50" RUBBER LINED
5	20529-4	1	TUBING, 3/8 NYLON AIR, 10 FEET
6	203429	1	CONSOLE, STROBE/BEACN/BARLIGHT



Section 5 - Body

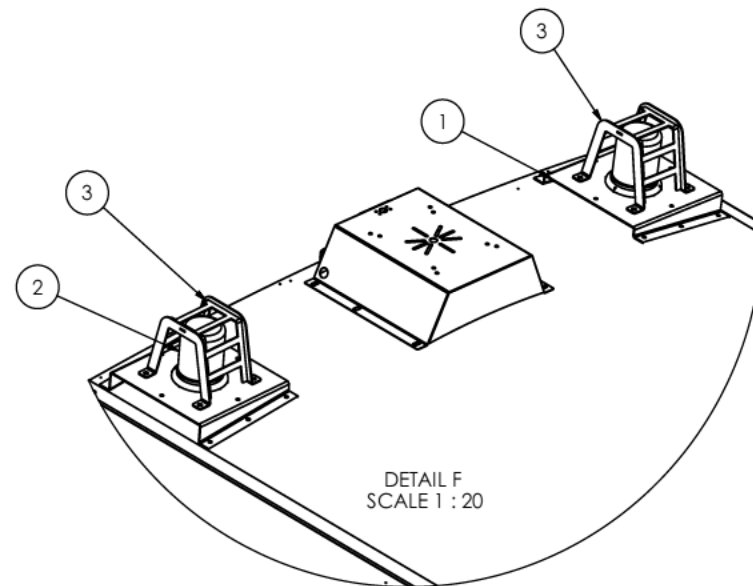
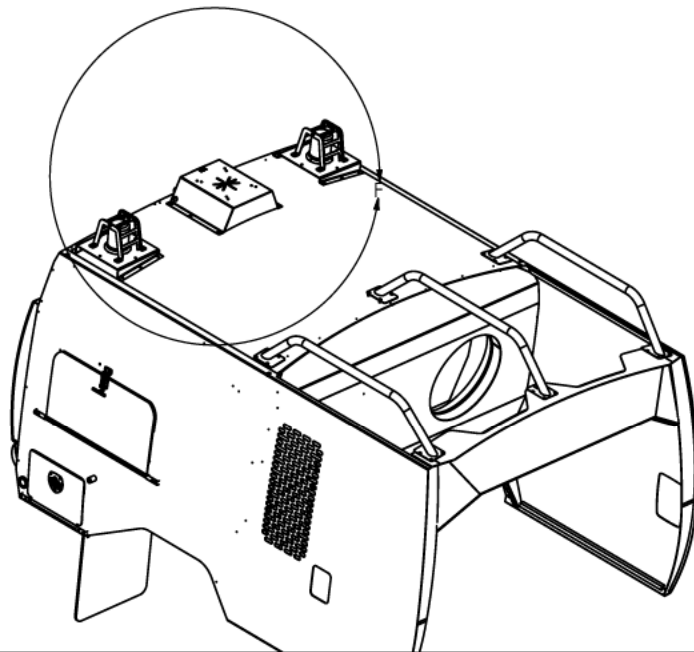
203Z74 - STROBE REAR DUAL

ITEM NO.	PART NUMBER	QTY.	DESCRIPTION
1	5213378	2	BRACKET, DUAL BEACON
2	61935	2	BEACON, LED, CLASS 1 AMBER
3	525716	2	LIMB GUARD, BEACON

ITEM NOT SHOWN

ITEM NO.	PART NUMBER	QTY.	DESCRIPTION
4	203429	1	CONSOLE KIT, STROBE/BEACN/BARL

HOPPER SHOWN FOR DUAL STROBE PLACEMENT



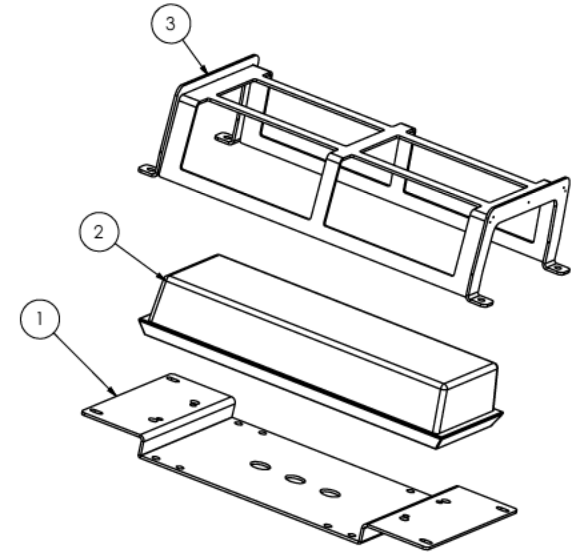
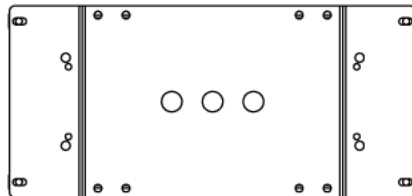
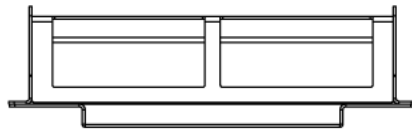
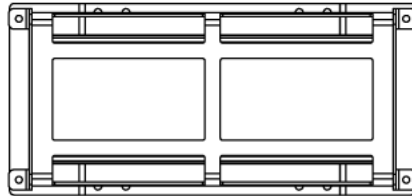
Section 5 - Body

203U21 - BARLIGHT REAR

ITEM NO.	PART NUMBER	QTY.	DESCRIPTION
1	5218340	1	BKT,RR,MINI-LED,BR-LITE,A7
2	61523	1	MINI LED BARLIGHT
3	524082	1	GUARD, MINI LED BARLIGHT

ITEMS NOT SHOWN

ITEM NO.	PART NUMBER	QTY.	DESCRIPTION
4	20139	3	CLAMP, .50" RUBBER LINED
5	20529-4	1	TUBING,3/8 NYLON AIR, 10 FEET



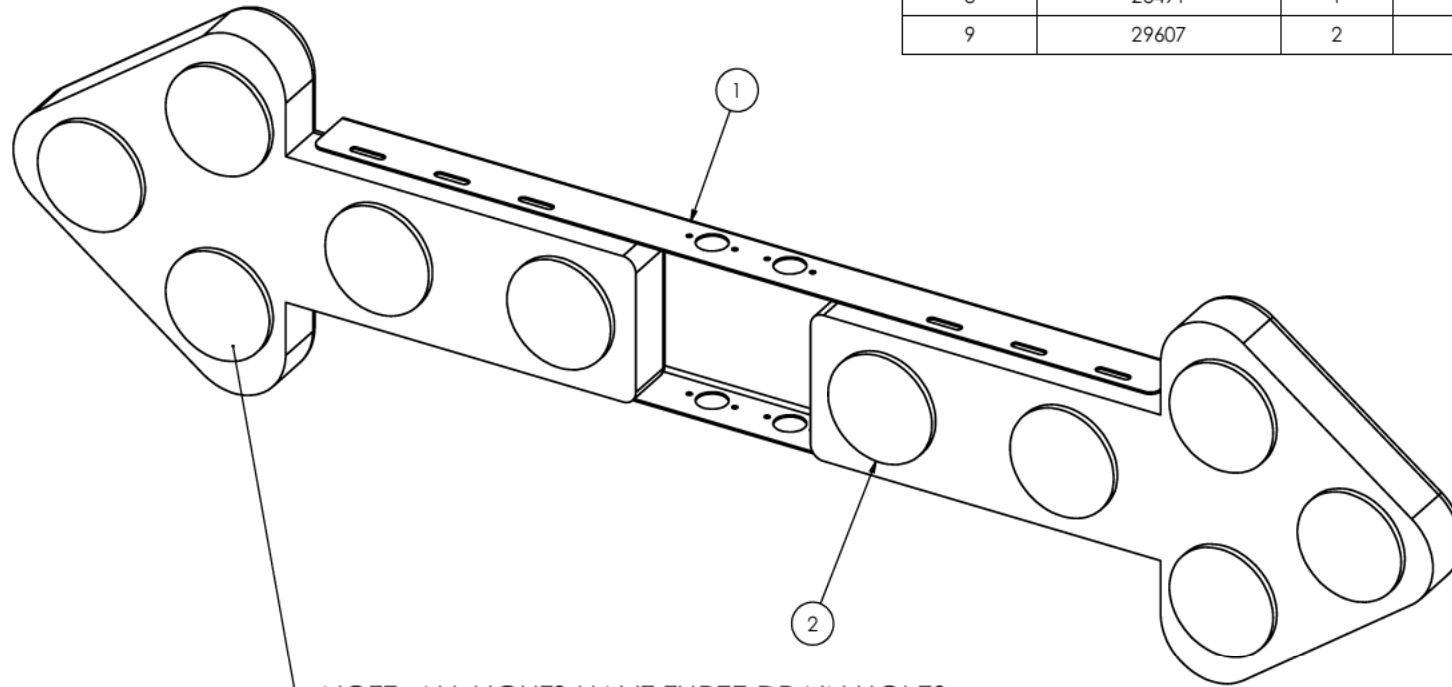
Section 5 - Body

204C21 - ARROWBOARD, SPLIT 2 PCS

ITEM NO.	PART NUMBER	QTY.	DESCRIPTION
1	5219162	1	ARROW BOARD BKT, SPLIT 2 PCS.
2	29605	1	LED ARROW BOARD TRAFFIC GUIDE

ITEMS NOT SHOWN

ITEM NO.	PART NUMBER	QTY.	DESCRIPTION
3	22945	1	RELAY, SPDT 40A 12VDC CUBE
4	22946	1	CONNECTOR HOUSING, RELAY
5	26024	1	5/8" GROMMET
6	23402	2	GROMMET, 1.5" I.D. X 2.125" O.D.
7	20155	4	CLAMP, 1.50" RUBBER LINED
8	23491	1	FUSE, 25 AMP PUSH IN 25
9	29607	2	FUSE HOLDER 14 GA



NOTE: ALL LIGHTS HAVE THREE DRAIN HOLES.
MAKE SURE THEY ARE ORIENTED ON THE BOTTOM.

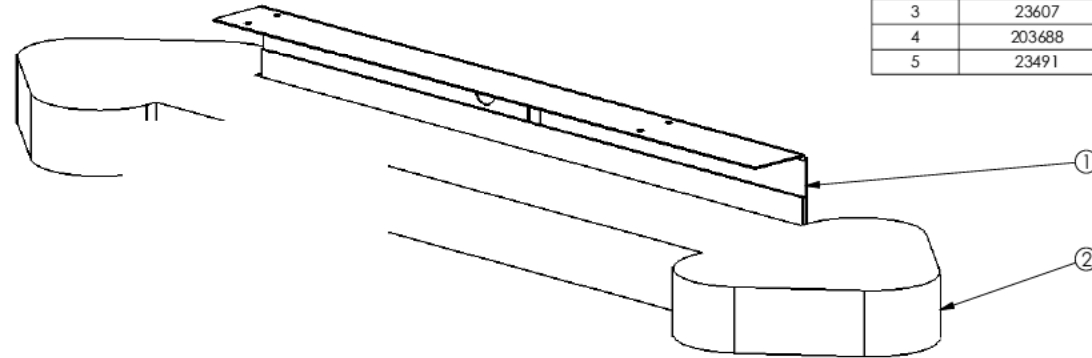
Section 5 - Body

203685 - ARROWBOARD, TRAFIC GUIDE

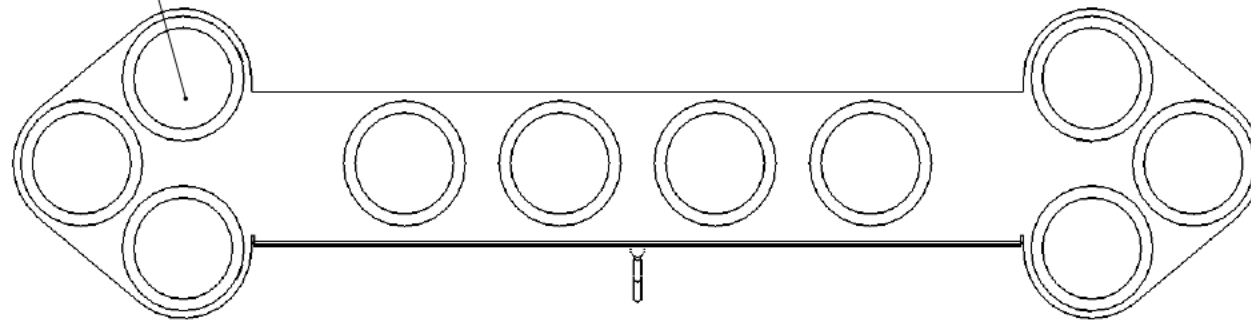
ITEM NO.	PART NUMBER	QTY.	DESCRIPTION
1	3000713	1	BRACKET, SMALL ARROW BOARD
2	23082	1	ARROW BOARD TRAFIC GUIDE

ITEMS BELOW NOT SHOWN IN DRAWING

3	23607	1	FUSE HOLDER 14 GA
4	203688	1	CONSOLE KIT, ARROWBOARD
5	23491	1	FUSE, 25 AMP PUSH IN 25 @ BX



NOTE: ALL LIGHTS HAVE THREE DRAIN HOLES.
MAKE SURE THEY ARE ORIENTED ON THE BOTTOM.



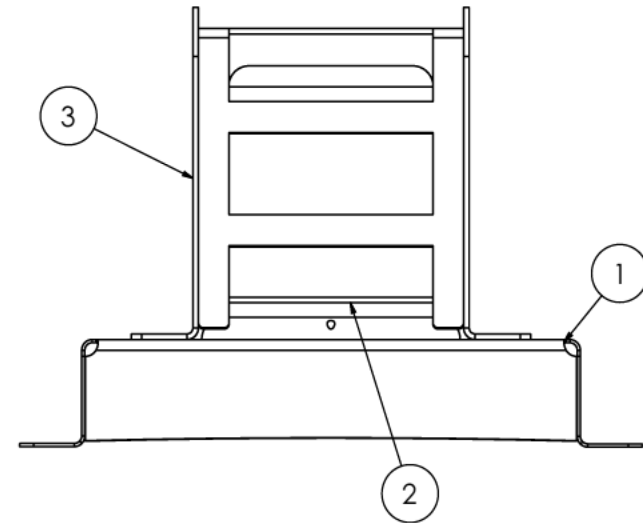
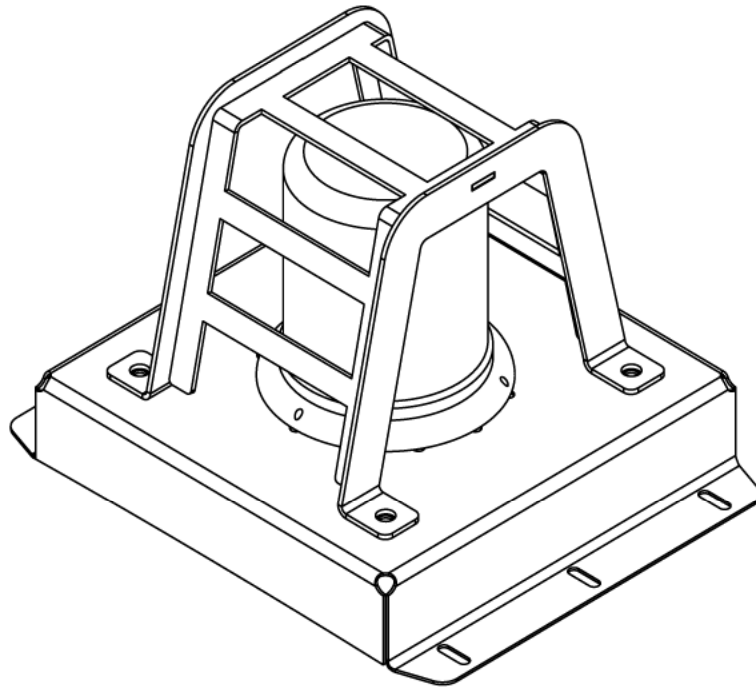
Section 5 - Body

203Z75 - STROBE, COE

ITEM NO.	PART NUMBER	QTY.	DESCRIPTION
1	3000783	1	BEACON BRACKET, CAB MOUNT
2	61935	1	BEACON, LED, CLASS 1 AMBER
3	525716	1	LIMB GUARD, BEACON

ITEMS NOT SHOWN

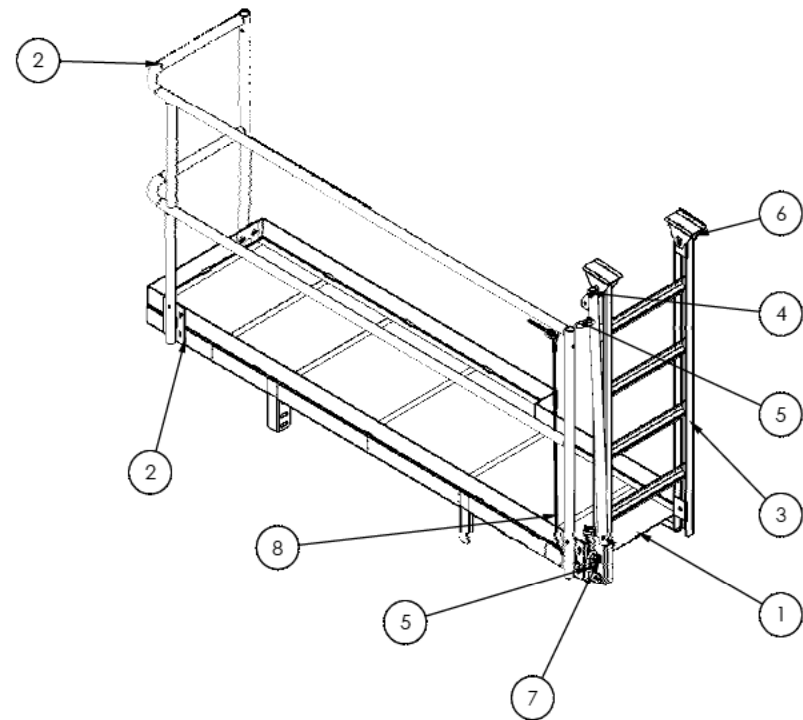
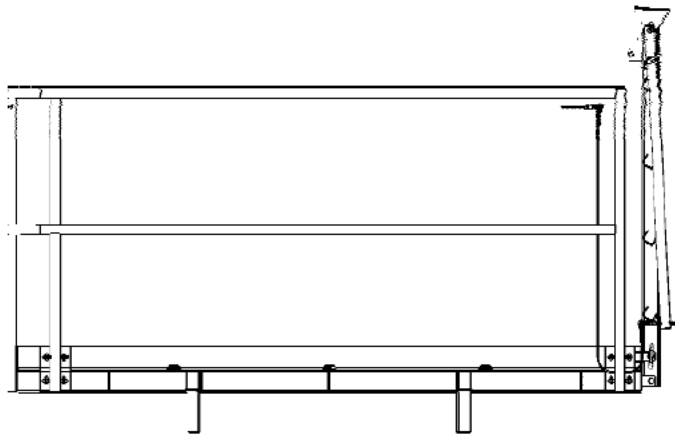
ITEM NO.	PART NUMBER	QTY.	DESCRIPTION
4	20139	4	CLAMP, .50" RUBBER LINED
5	20529-8	1	TUBING, 3/8 NYLON X 96"
6	203429	1	CONSOLE KIT, STROBE/BEACN/BARL
7	21982	2	GROMMET, 5/16" RUBBER



Section 5 - Body

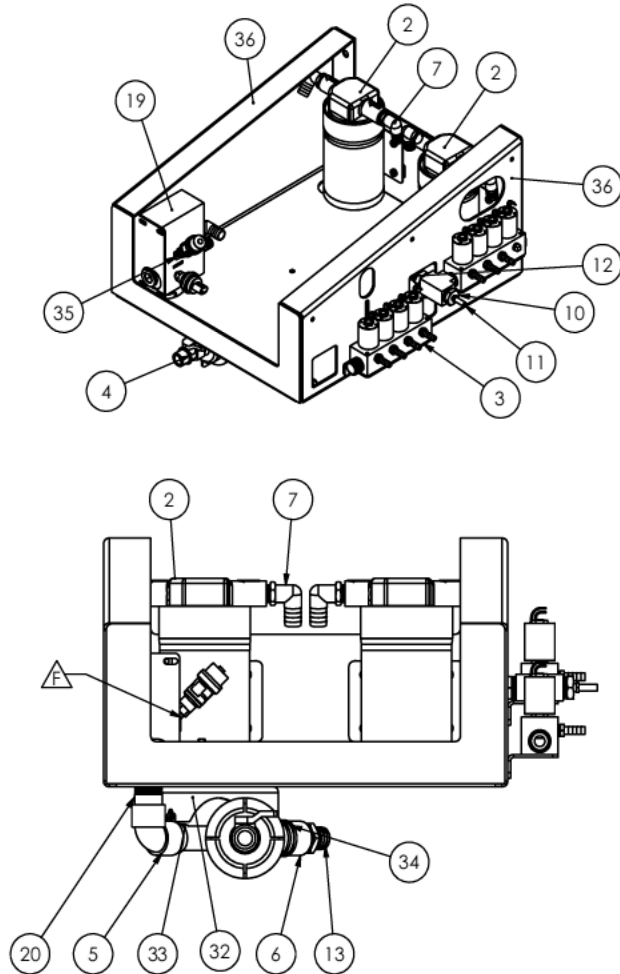
204Q05 - FRONT WALKDECK

ITEM NO.	PART NUMBER	QTY.	DESCRIPTION
1	525470	1	DECK, WORK PLATFORM
2	525471	1	HANDRAIL, WORKDECK ASSEMBLY
3	525469	1	LADDER, WORK DECK
4	5222917	1	POST, HANDRAIL PIVOTING
5	67254	2	HIGH VISIBILITY, QUICK-RELEASE
6	525472	2	LEG, LADDER
7	5222964	1	PLATE, LADDER LOCK
8	204S98	1	LANYARD WITH EYE BOLT



Section 5 - Body

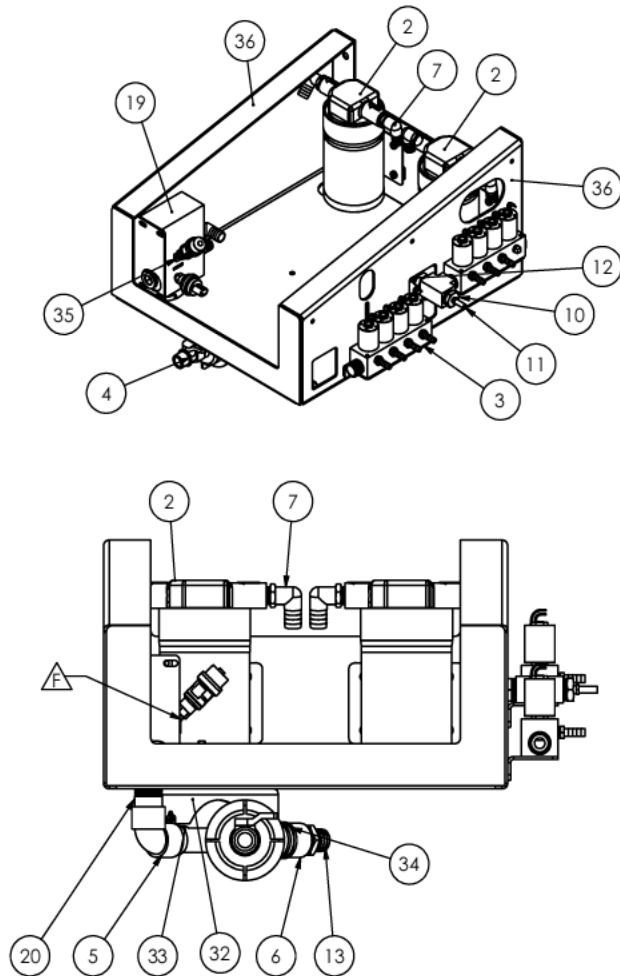
204N35 - TRAY, DUAL WP



ITEM NO.	PART NUMBER	DESCRIPTION	QTY.
1	5221346	MOUNT, MANIFOLD, 4 PORT	2
2	66029	5 STAGE DIAPHRAM PUMP	2
3	60851	4 STAGE MANIFOLD ASSY	2
4	66083	FILTER HOUSING/W SCREEN 1" WATER	1
5	23682	ELBOW 1" PVC	1
6	55015	COUPLING 1" PVC	1
7	65924	ELBOW, 90° 1/2 NPT TO 3/4 HB	4
8	26850	NIPPLE, CLOSE 3/4" BRASS	2
9	26855	TEE, 3/4" NPT UNION BRASS	1
10	26995	BUSHING, 3/4 NPT 1/8 NPT	1
11	23676	VALVE, BRASS AIR TANK	1
12	26932	HOSE BARB, 3/4" NPT TO 3/4"	1
13	55016	HOSE BARB 1" NPT X 1"	1
14	26852	PLUG, 1/4" BRASS	1
15	26930	HOSE BARB 1/4 MPT X 3/8 HOSE	7
16	66073	FILTERMINDER 6 IN HG	1
** 17	66081	SWITCH N.O. 6" HG FILTERMINDER	1
18	29453	PLUG, 3/4 NPT HEX BRASS	1
19	66166	MANIFOLD, WATER SYSTEM	1
20	66283	NIPPLE, 1 X 2.5 PVC	1
21	66280	PLUG, 1 NPT HOLLOW HEX	2
22	66282	HOSE BARB, 3/4 NPT X 3/4 HB	1
23	66288	ELBOW, 90° 3/4 NPT TO 3/4 HB	1
24	5222462	MOUNT, WP MANIFOLD	1
** 25	66281	PLUG, 1/8 NPT HOLLOW HEX	1
** 26	64597	CONNECTOR, 6WAY RECEPTACLE, RW	1
** 27	64598	CONNECTOR, 8WAY RECEPTACLE, RW	1
** 28	64614	WEDGELOCK, DT, 6POS, RECPT	1
** 29	64616	WEDGELOCK, DT, 8POS RECPT	1
** 30	54678	HOSE, 3/4" FLEX	45
** 31	25182	CLAMP, HOSE 1-1/2 SIZE 16	8
32	5222689	MOUNT, Y-STRAINER, BOLT ON	1
33	20140	CLAMP, 1.0" RUBBER LINED	1
34	20155	CLAMP, 1.50" RUBBER LINED	1
35	20948	ELBOW, 45° 1/8 BRASS STREET	1
36	5221704	TRAY, WATER A7 & A9 DUAL PUMP	1

Section 5 - Body

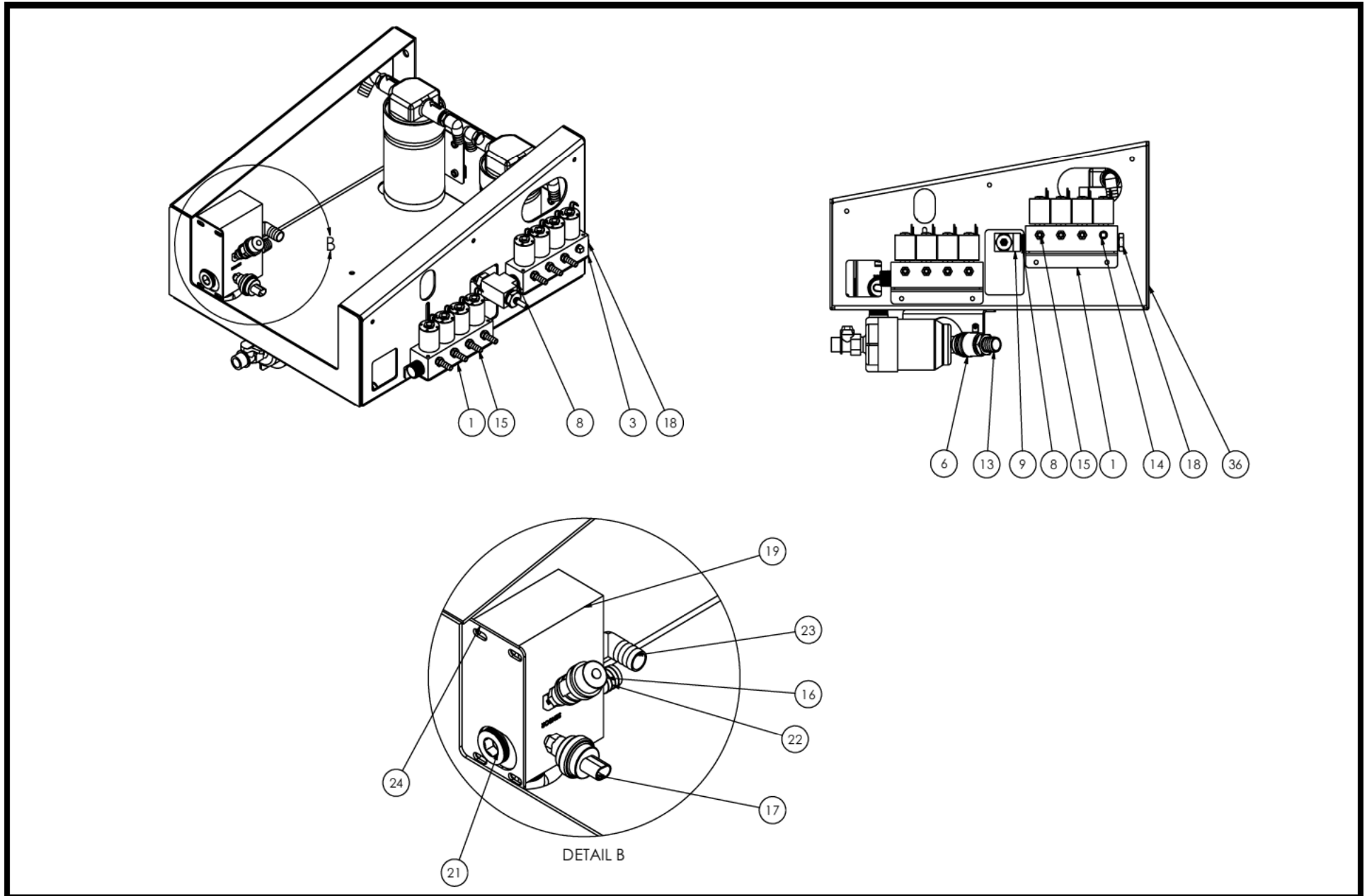
204N35 - TRAY, DUAL WP



ITEM NO.	PART NUMBER	DESCRIPTION	QTY.
1	5221346	MOUNT, MANIFOLD, 4 PORT	2
2	66029	5 STAGE DIAPHRAM PUMP	2
3	60851	4 STAGE MANIFOLD ASSY	2
4	66083	FILTER HOUSING/W SCREEN 1" WATER	1
5	23682	ELBOW 1" PVC	1
6	55015	COUPLING 1" PVC	1
7	65924	ELBOW, 90° 1/2 NPT TO 3/4 HB	4
8	26850	NIPPLE, CLOSE 3/4" BRASS	2
9	26855	TEE, 3/4" NPT UNION BRASS	1
10	26995	BUSHING, 3/4 NPT 1/8 NPT	1
11	23676	VALVE, BRASS AIR TANK	1
12	26932	HOSE BARB, 3/4" NPT TO 3/4"	1
13	55016	HOSE BARB 1" NPT X 1"	1
14	26852	PLUG, 1/4" BRASS	1
15	26930	HOSE BARB 1/4 MPT X 3/8 HOSE	7
16	66073	FILTERMINDER 6 IN HG	1
** 17	66081	SWITCH N.O. 6" HG FILTERMINDER	1
18	29453	PLUG, 3/4 NPT HEX BRASS	1
19	66166	MANIFOLD, WATER SYSTEM	1
20	66283	NIPPLE, 1 X 2.5 PVC	1
21	66280	PLUG, 1 NPT HOLLOW HEX	2
22	66282	HOSE BARB, 3/4 NPT X 3/4 HB	1
23	66288	ELBOW, 90° 3/4 NPT TO 3/4 HB	1
24	5222462	MOUNT, WP MANIFOLD	1
** 25	66281	PLUG, 1/8 NPT HOLLOW HEX	1
** 26	64597	CONNECTOR, 6WAY RECEPTACLE, RW	1
** 27	64598	CONNECTOR, 8WAY RECEPTACLE, RW	1
** 28	64614	WEDGELOCK, DT, 6POS, RECPT	1
** 29	64616	WEDGELOCK, DT, 8POS RECPT	1
** 30	54678	HOSE, 3/4" FLEX	45
** 31	25182	CLAMP, HOSE 1-1/2 SIZE 16	8
32	5222689	MOUNT, Y-STRAINER, BOLT ON	1
33	20140	CLAMP, 1.0" RUBBER LINED	1
34	20155	CLAMP, 1.50" RUBBER LINED	1
35	20948	ELBOW, 45° 1/8 BRASS STREET	1
36	5221704	TRAY, WATER A7 & A9 DUAL PUMP	1

Section 5 - Body

204N35 - TRAY, DUAL WP



Section 5 - Body

204N35 - TRAY, DUAL WP

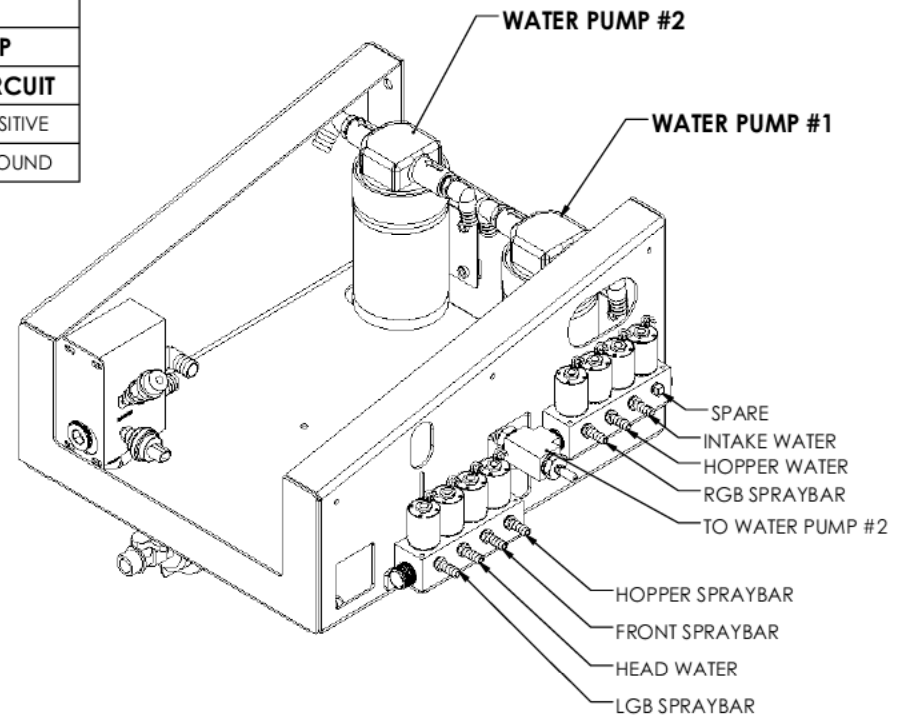
NOTE: TERMINATE COMPONENT WIRE LEADS INTO CONNECTORS AS SPECIFIED IN WIRE CHARTS BELOW.

WATER TRAY		
DEUTSCH DT04-08P		
CAV	COLOR	CIRCUIT
1	BLACK	LGB SPRAYBAR
2	BLACK	HEAD WATER
3	BLACK	FRONT SPRAYBAR
4	BLACK	HOPPER SPRAYBAR
5	BLACK	GROUND HOPPER SPRAYBAR
6	BLACK	GROUND FRONT SPRAYBAR
7	BLACK	GROUND HEAD WATER
8	BLACK	GROUND LGB SPRAYBAR

WATER PUMP #1		
DEUTSCH DTP04-2P		
CAV	COLOR	CIRCUIT
1	RED	POSITIVE
2	BLACK	GROUND

WATER PUMP #2		
DEUTSCH DTP04-2P		
CAV	COLOR	CIRCUIT
1	RED	POSITIVE
2	BLACK	GROUND

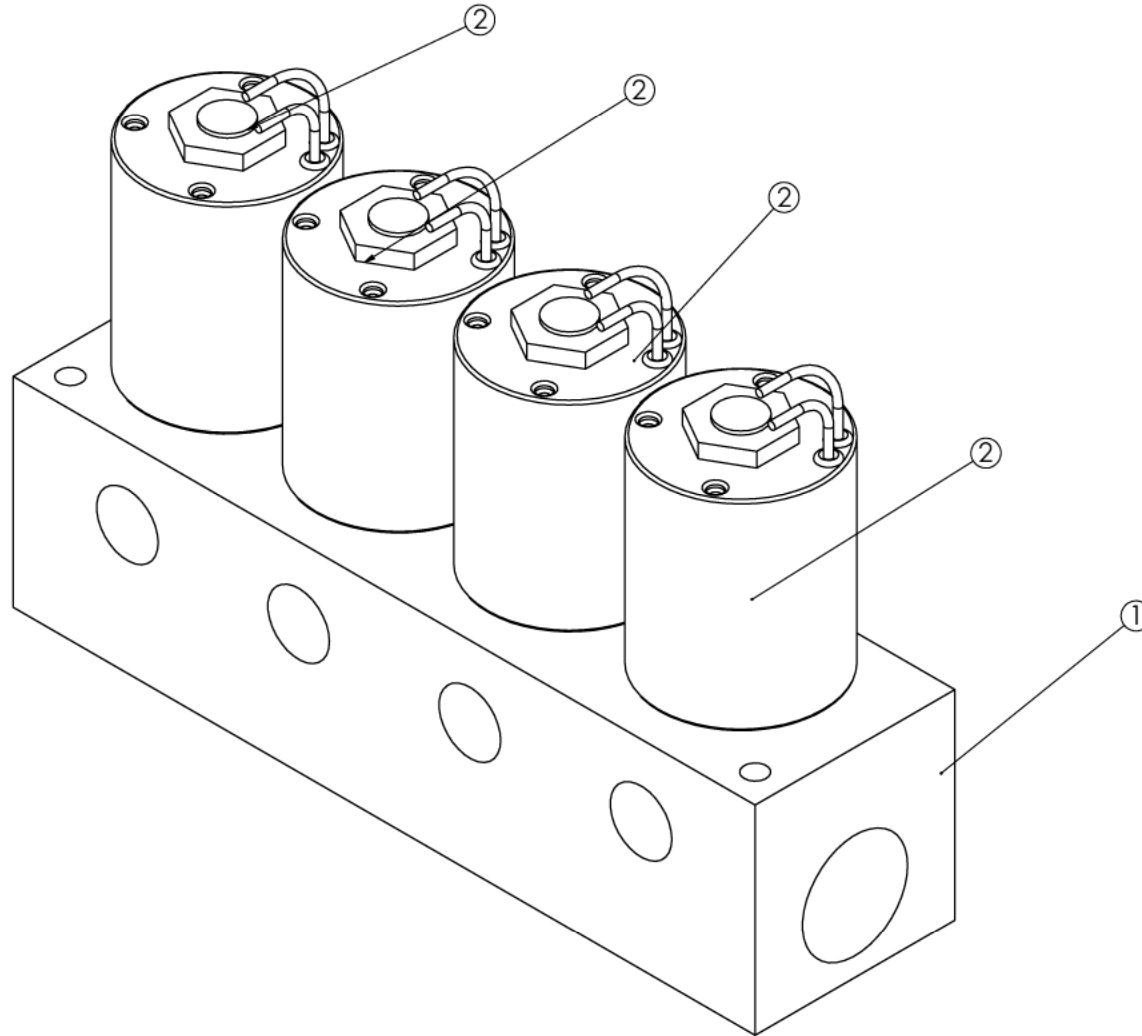
WATER TRAY		
DEUTSCH DT04-6P		
CAV	COLOR	CIRCUIT
1	BLACK	RGB SPRAYBAR
2	BLACK	HOPPER WATER
3	BLACK	INTAKE WATER
4	BLACK	GROUND INTAKE WATER
5	BLACK	GROUND HOPPER WATER
6	BLACK	GROUND RGB SPRAYBAR



Section 5 - Body

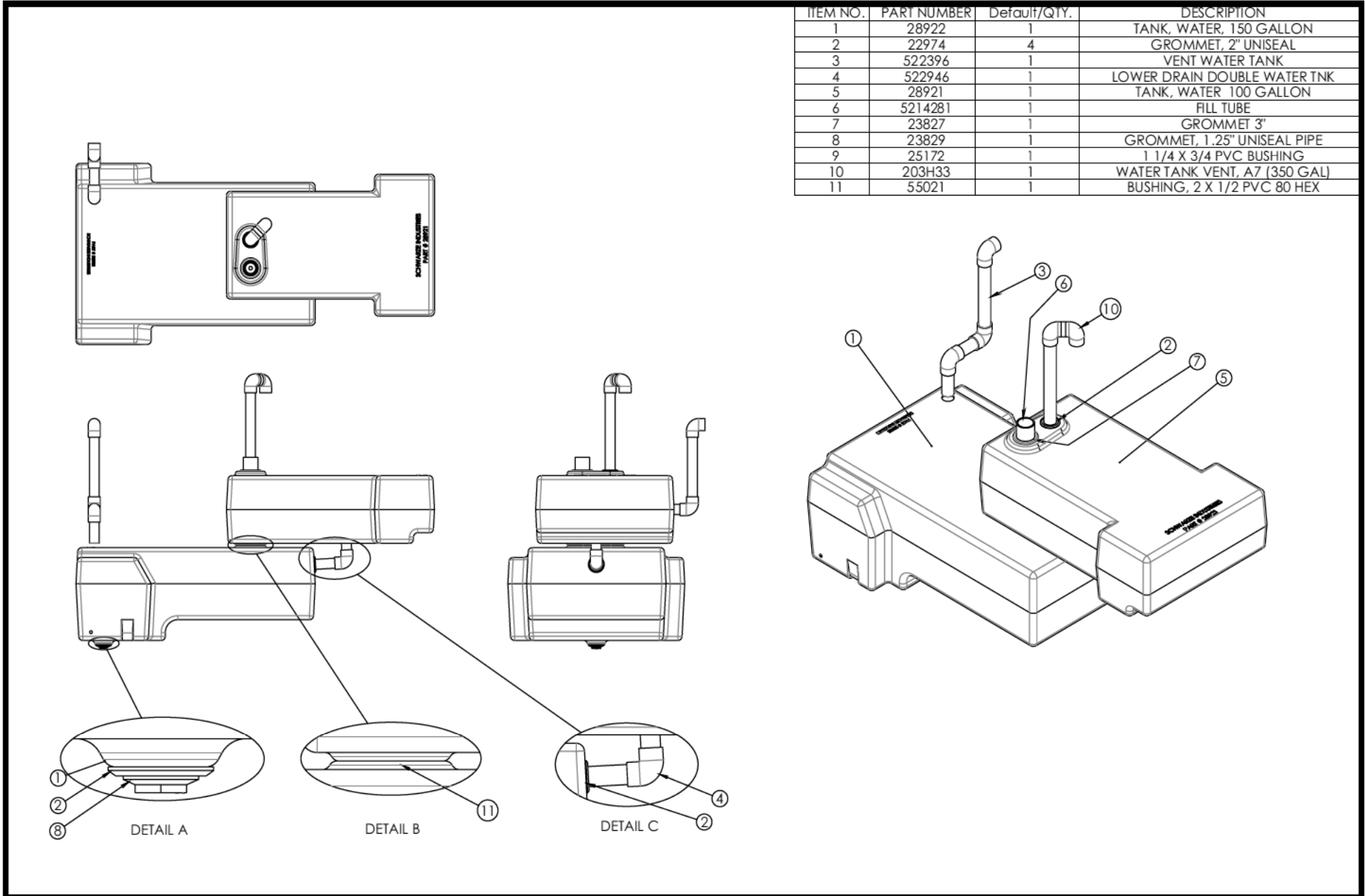
60851 - 4-STAGE MANIFOLD

ITEM NO.	PART NUMBER	QTY.	DESCRIPTION
1	61136	1	MANIFOLD, 4 STAGE
2	54445	4	VALVE, PETER PAUL



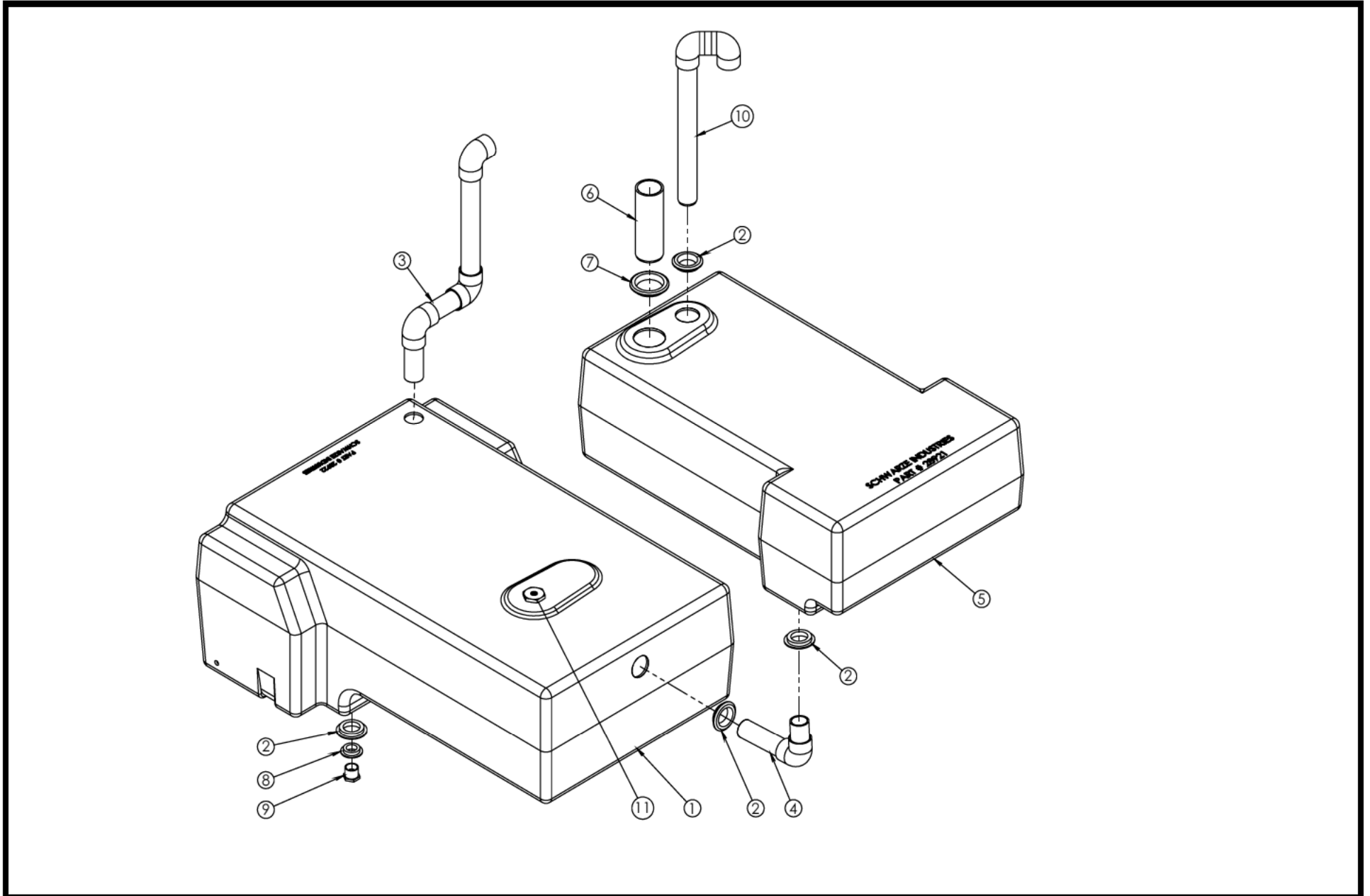
Section 5 - Body

522948 - WATER TANK STANDARD



Section 5 - Body

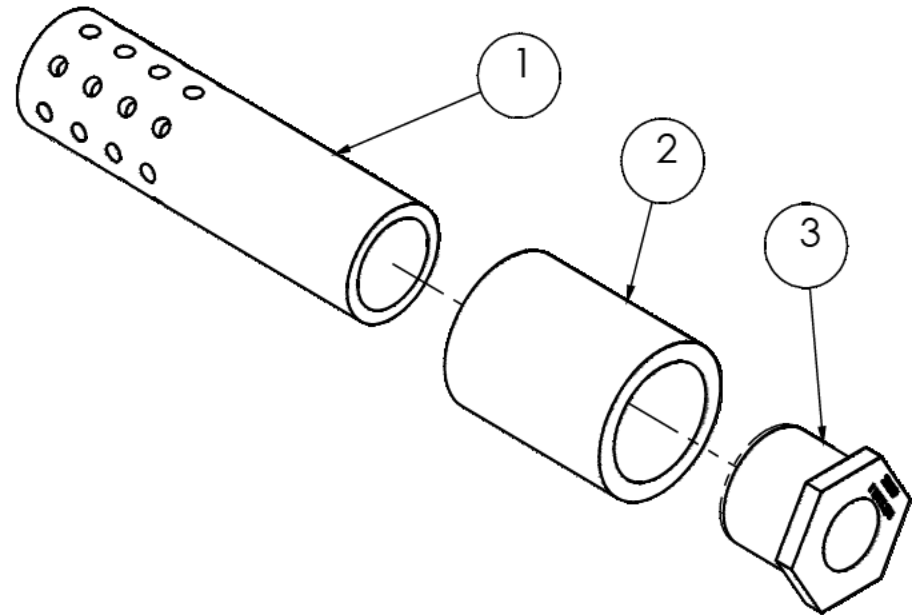
522948 - WATER TANK STANDARD



Section 5 - Body

524800 - STRAINER 1-1/4"

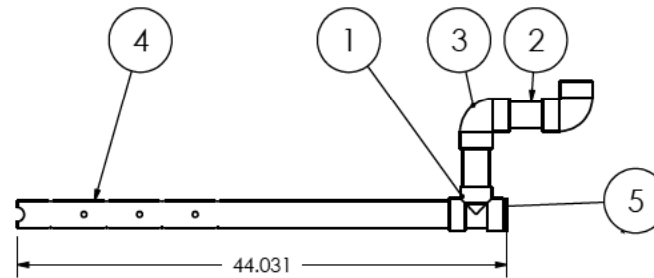
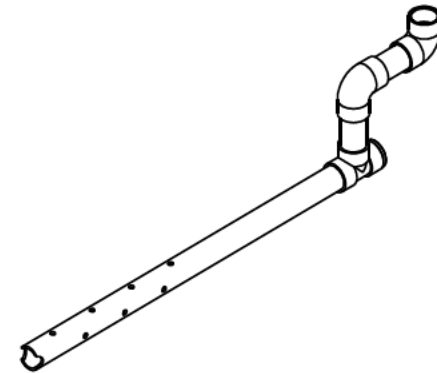
ITEM NO.	PART NUMBER	QTY.	DESCRIPTION
1	5220714	1	STRAINER PIPE, PVC, 1-1/4"
2	65248	1	COUPLING, 1-1/4" SCH 80, PVC
3	25172	1	1 1/4 X 3/4 PVC BUSHING



Section 5 - Body

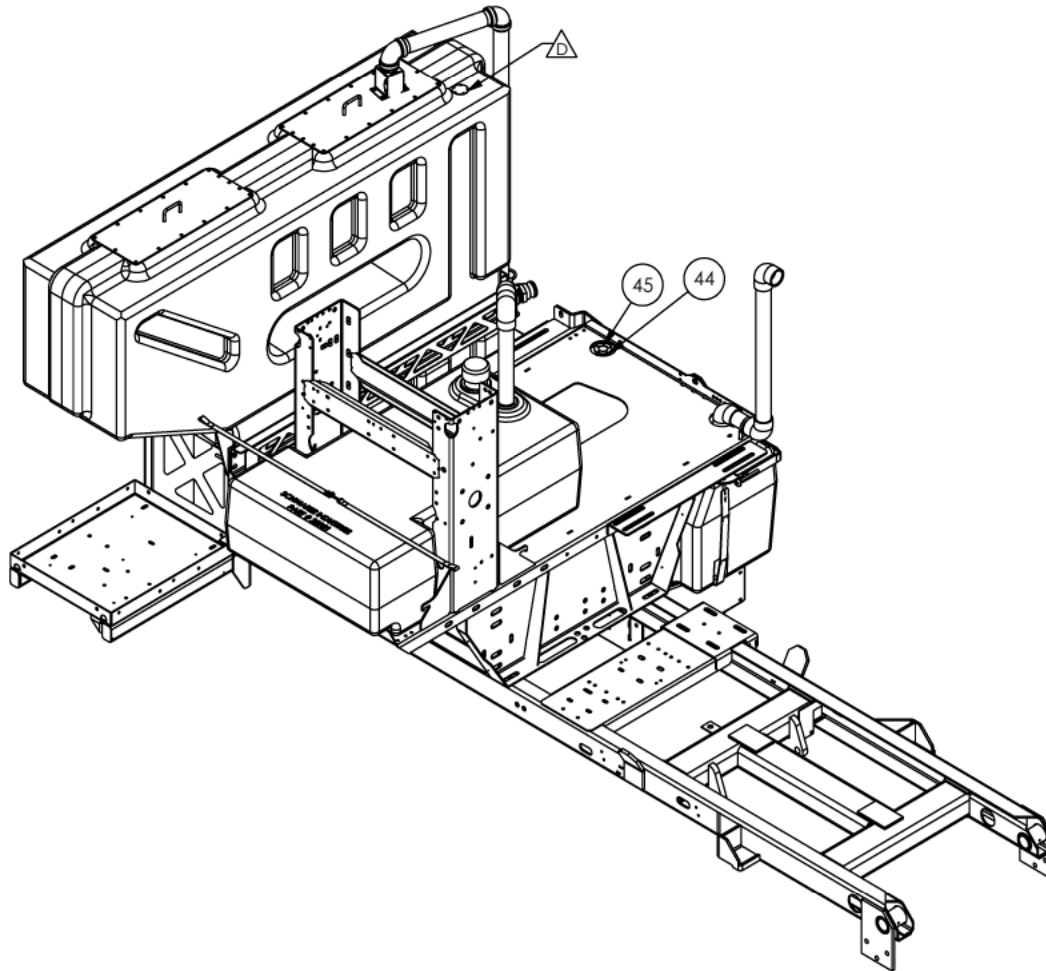
525019 - VENT SENSOR

ITEM NO.	QTY.	PART NUMBER	DESCRIPTION
1	1	29167	TEE, 2" SCH 80 PVC
2	2	5219185	TUBE, SHORT, VENT, 6"
3	2	23922	ELBOW 90° 2" SCH 80
4	1	5221396	TUBE, SENSOR TROUGH
5	1	29246	BUSHING, 2.0 SLIP X 3/4 NPT



Section 5 - Body

204L28 - 350GAL WATER TANK

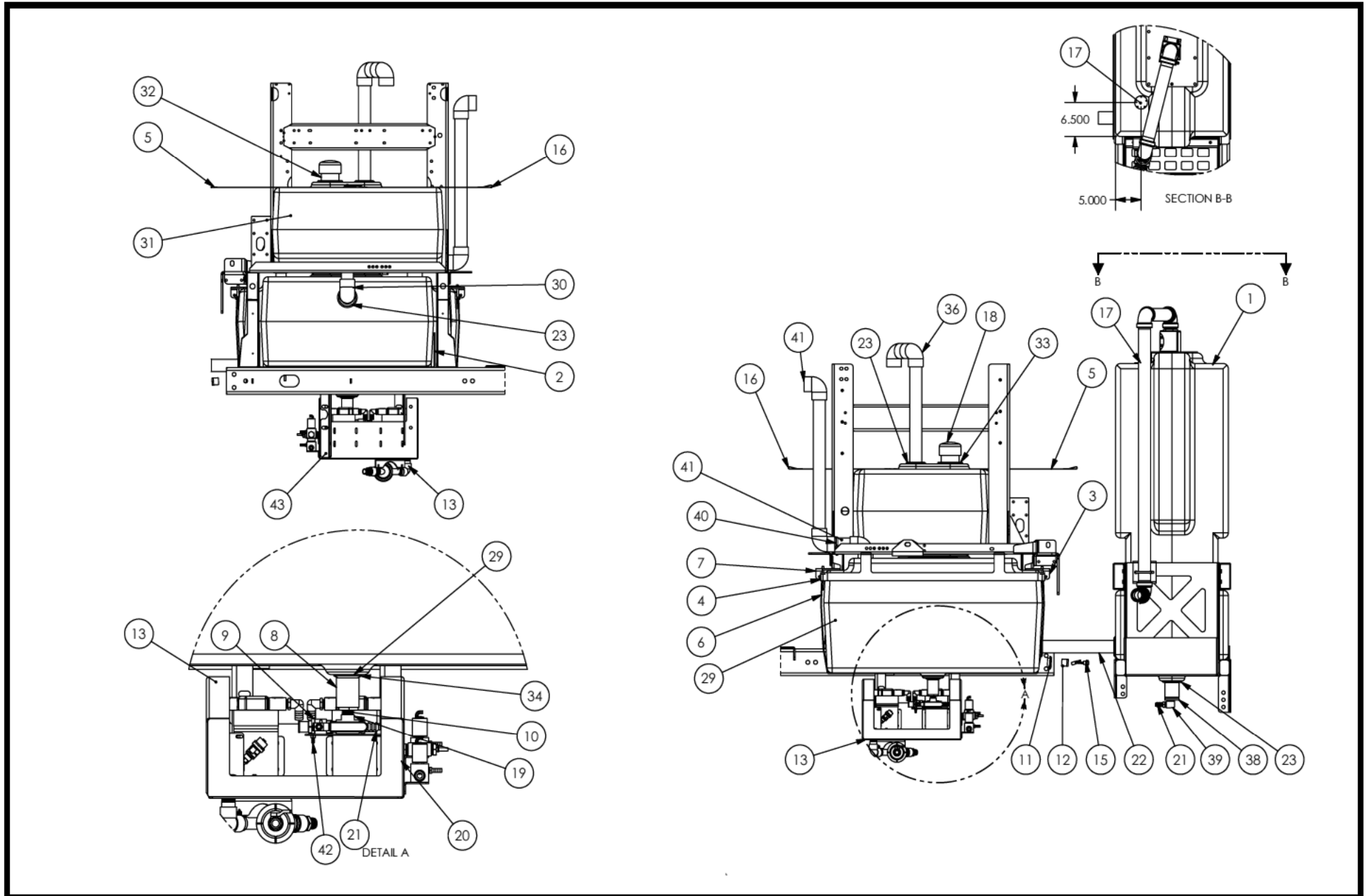


ITEM NO.	PART NUMBER	DESCRIPTION	QTY.
1	203G34	WATER RES CRADLE ASSY, 350, M2	1
2	5213945	TRAY, 150 GAL WATER TANK	1
3	523057	BRACKET WELD'T, STRAP 150-GAL WATER TANK, FRONT	1
4	203E37	STRAP ASSY 150 GAL WATER TANK	1
5	55036	STRAP, WATER TANK 100 GALLON	1
6	522853	STRAP, HANGER, 150 GAL W/T	1
7	523058	BRACKET WELD'T, STRAP 150 GAL WATER TANK, REAR	1
8	524800	STRAINER DRAIN ASSY, 1-1/4"	1
9	29235	VALVE, BALL 3/4" WITH 1" BARB	1
10	26850	NIPPLE, CLOSE 3/4" BRASS	2
11	22973	GROMMET, 1" UNISEAL PIPE	1
12	55020	BUSHING, 1" X 1/2 NPT PVC	1
13	204N35	TRAY, DUAL WP A7T & A9T	1
14	5214325	REAR WATER PUMP BOX BKT	1
15	22641	SWITCH, LIQUID LEVEL	1
16	55037	STRAP, WATER TANK 100 GALLON	1
17	65889	SENSOR, 3 WIRE WATER LEVEL 35	1
18	29159	CAP, 3" PVC SCH 80	1
19	26855	TEE, 3/4" NPT UNION BRASS	1
20	5221669	TANK DRAIN SUPPORT BKT	1
21	26932	HOSE BARB, 3/4" NPT TO 3/4"	2
22	5219184	TUBE, LONG, VENT, 16"	1
23	22974	GROMMET, 2" UNISEAL	6
*24	27349-36	1" PVC SUCTION HOSE	1
*25	27349-96	SUCTION HOSE, 1"	1
*26	25182	CLAMP, HOSE 1-1/2 SIZE 16	4
*27	21428-120	1/4" X 1.25 SEAL MATL, 10 FT.	1
*28	26633-96	3/4 PUSH LOK WTR HOSE BLUE, 8F	1
29	28922	TANK, WATER, 150 GALLON	1
30	522946	LOWER DRAIN DOUBLE WATER TNK	1
31	28921	TANK, WATER 100 GALLON	1
32	5214281	FILL TUBE	1
33	23827	GROMMET 3"	1
34	23829	GROMMET, 1.25" UNISEAL PIPE	1
*35	25172	1 1/4 X 3/4 PVC BUSHING	1
36	203H33	WATER TANK VENT, A7 (350 GAL)	1
*37	55021	BUSHING, 2 X 1/2 PVC 80 HEX	1
38	650429	WATER, DISCHARGE PIPE	1
39	20974	ELBOW 3/4" NPT 90 DEGREES	1
40	20831	CLAMP, 2 1/2" MUFFLER U-BOLT	1
41	525121	VENT, DUAL WATER TANK, REAR	1
42	32282	U-BOLT, 1/4-20 X 1-1/8	1
43	5214252	WATER PUMP BOX BKT	1
44	5223828	SEAL,FLOAT LEVEL PLATE	1
45	65317	GASKET, FOR SENDER	1

* ITEMS NOT SHOWN

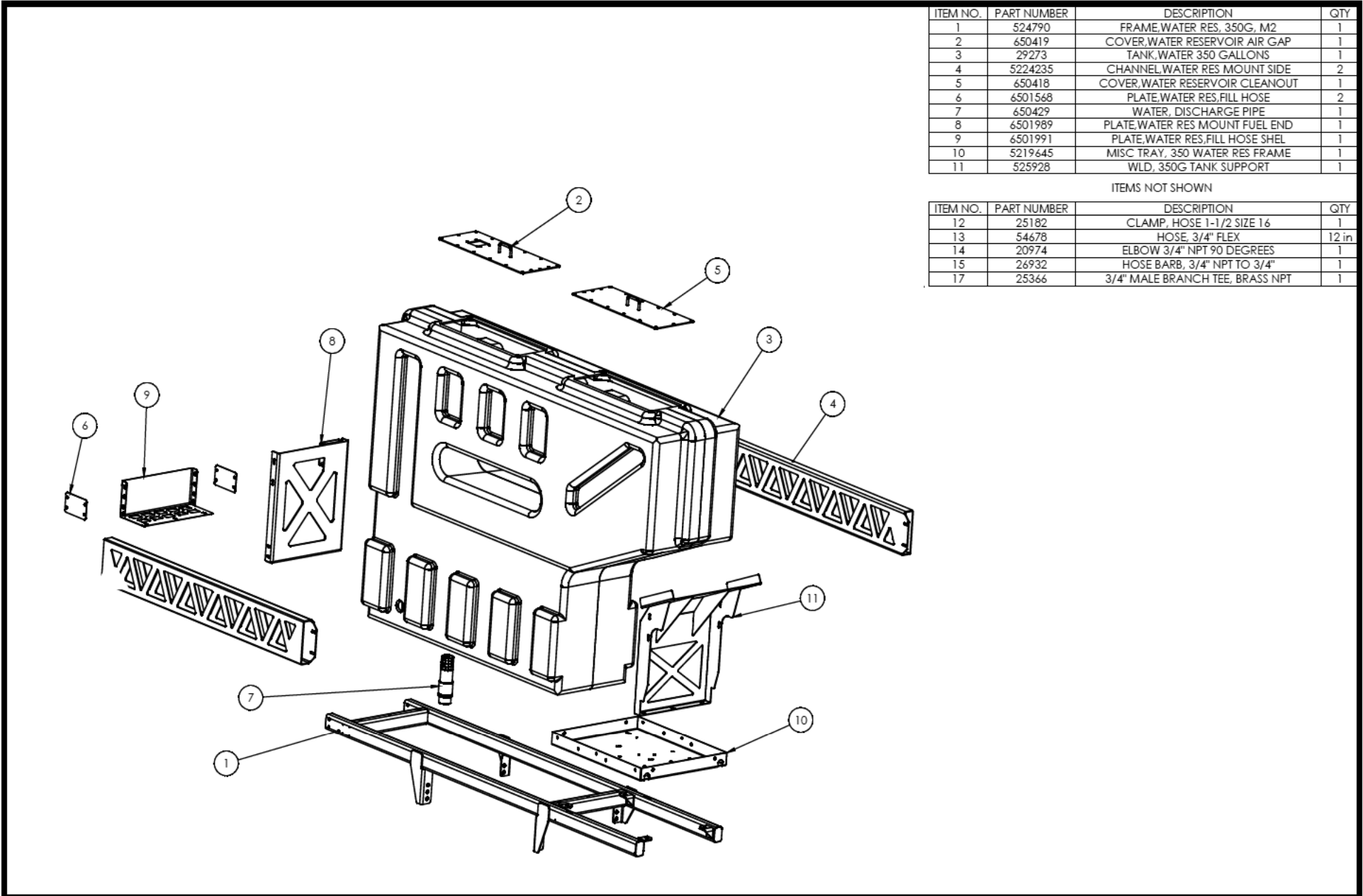
Section 5 - Body

204L28 - 350GAL WATER TANK



Section 5 - Body

203G34 - WATER RES CRADLE ASSY, 350, M2



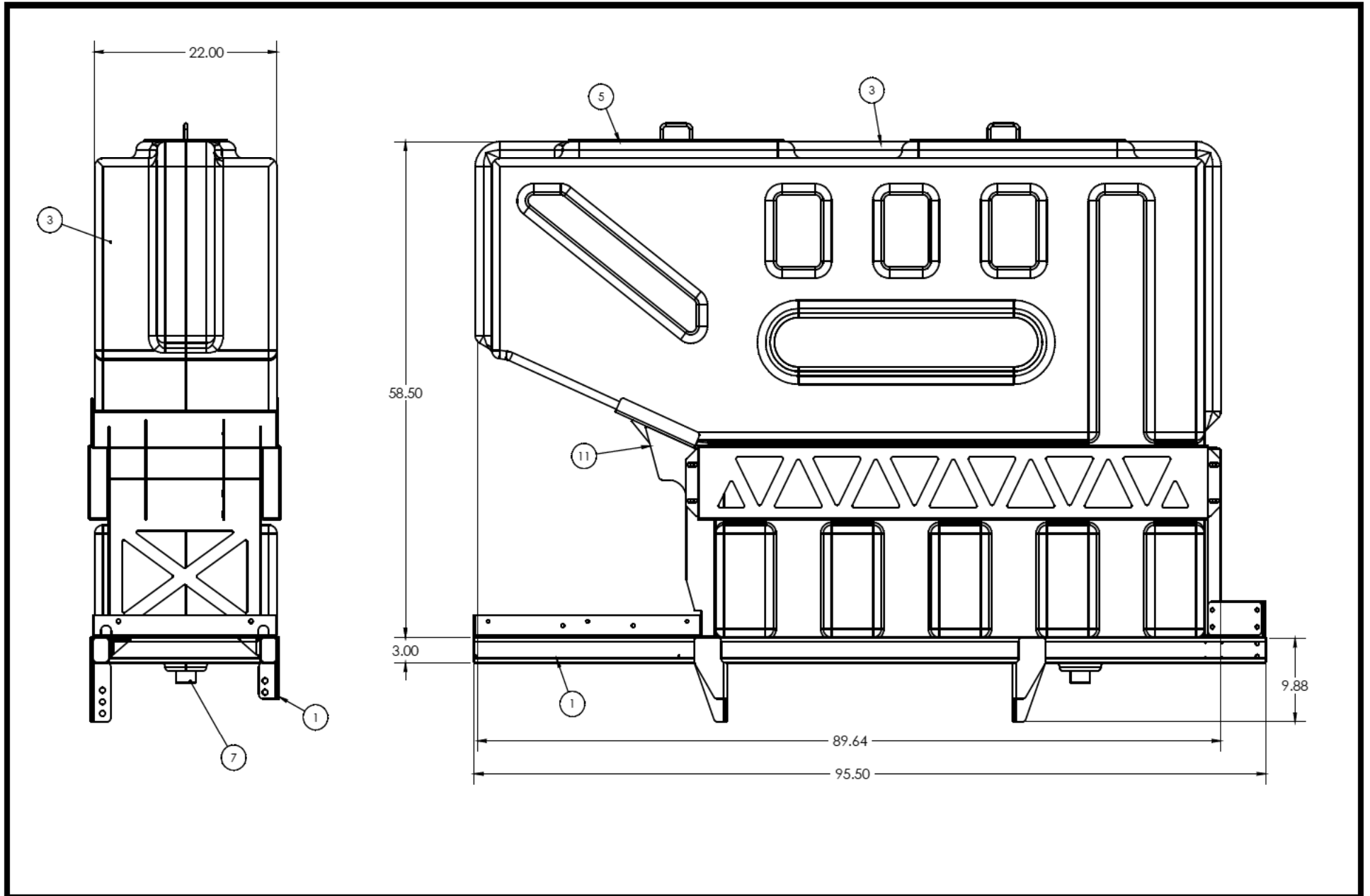
ITEM NO.	PART NUMBER	DESCRIPTION	QTY
1	524790	FRAME, WATER RES, 350G, M2	1
2	650419	COVER, WATER RESERVOIR AIR GAP	1
3	29273	TANK, WATER 350 GALLONS	1
4	5224235	CHANNEL, WATER RES MOUNT SIDE	2
5	650418	COVER, WATER RESERVOIR CLEANOUT	1
6	6501568	PLATE, WATER RES, FILL HOSE	2
7	650429	WATER, DISCHARGE PIPE	1
8	6501989	PLATE, WATER RES MOUNT FUEL END	1
9	6501991	PLATE, WATER RES, FILL HOSE SHEL	1
10	5219645	MISC TRAY, 350 WATER RES FRAME	1
11	525928	WLD, 350G TANK SUPPORT	1

ITEMS NOT SHOWN

ITEM NO.	PART NUMBER	DESCRIPTION	QTY
12	25182	CLAMP, HOSE 1-1/2 SIZE 16	1
13	54678	HOSE, 3/4" FLEX	12 in
14	20974	ELBOW 3/4" NPT 90 DEGREES	1
15	26932	HOSE BARB, 3/4" NPT TO 3/4"	1
17	25366	3/4" MALE BRANCH TEE, BRASS NPT	1

Section 5 - Body

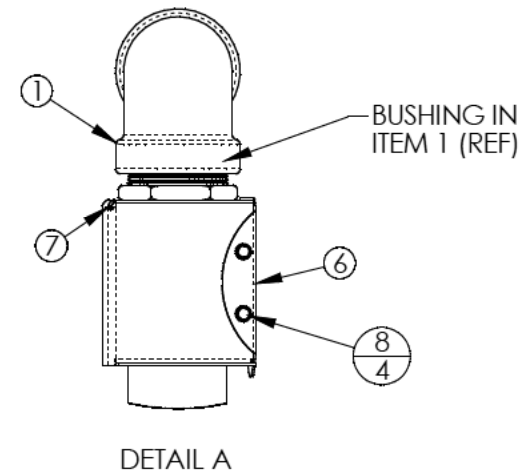
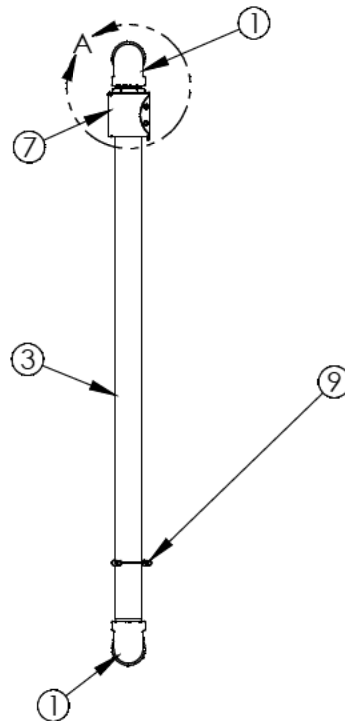
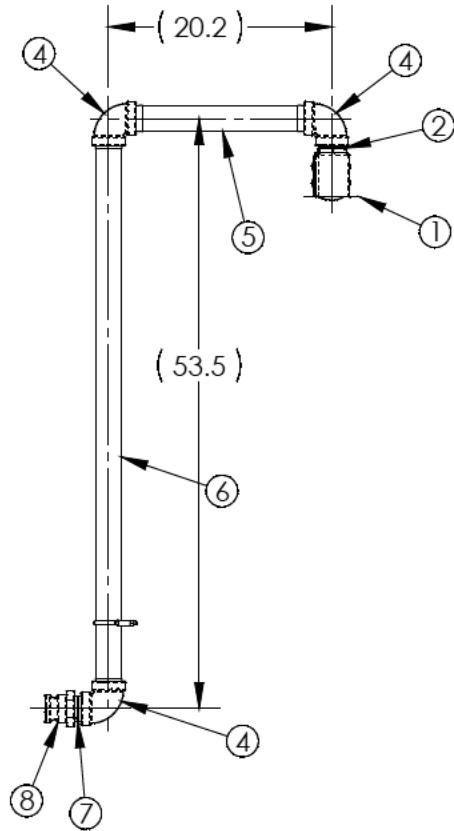
203G34 - WATER RES CRADLE ASSY, 350, M2



Section 5 - Body

203G90- WATERFILL

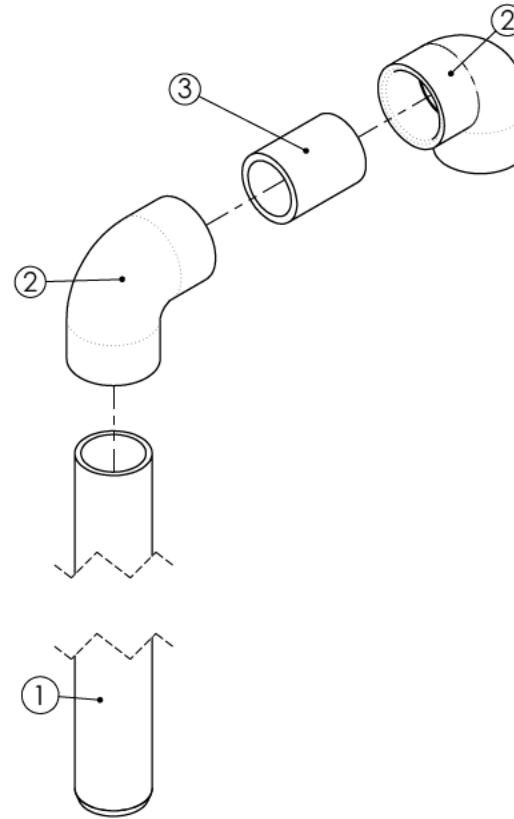
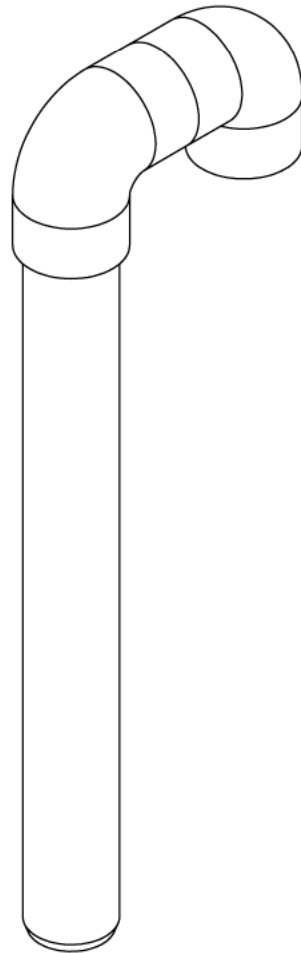
ITEM	PART NO.	DESCRIPTION	QTY.
1	20957	ELBOW, 2" NPT GALVANIZED	3
2	53070	NIPPLE, 2.0 X 16.0 NPT	1
3	54181	NIPPLE, 2.0 NPT X 50" LONG GALV	1
4	20275	NIPPLE, 2.0 X CLOSE GALV	1
5	23644	CAM, 2.0 MALE LOCK	1
6	23837	SCREEN, 4-9/16	1
7	650550	WATER TANK AIR GAP ASSEMBLY	1
8	30468	SELF TAPPING SCREW, #10 X 3/4"	4
9	20831	CLAMP, 2 1/2" MUFFLER U-BOLT	1



Section 5 - Body

203H33 - WATER TANK VENT

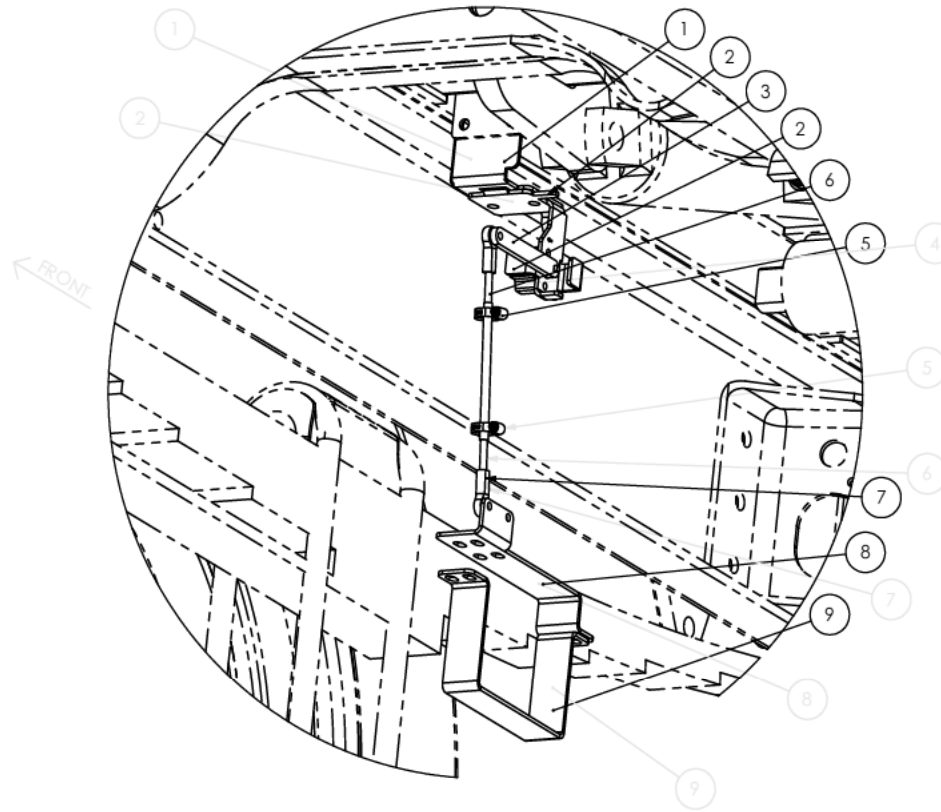
ITEM	Default/QTY.	PART NO.	DESCRIPTION
1	1	5215237	TUBE 22", BREATHER, WATER TNK
2	2	23922	ELBOW 90° 2" SCH 80
3	1	5213940	WATER FILL , NIPPLE, 2" X 3"



Section 5 - Body

204P63 - LOAD WEIGHT INDICATOR

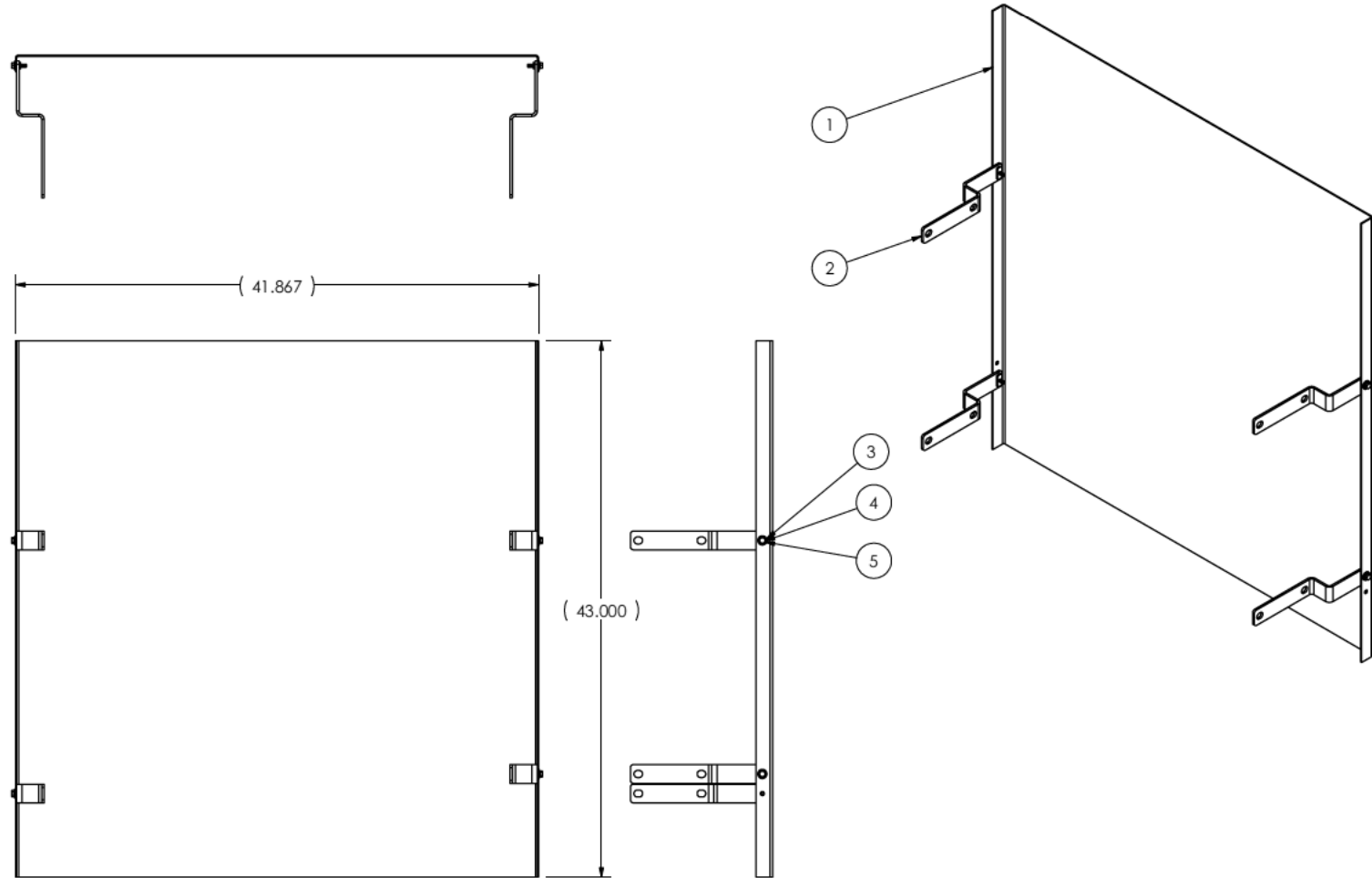
ITEM NO.	PART NUMBER	Default/QTY.	DESCRIPTION
1	5223206	1	ADAPTER, LOAD WEIGHT PLATE
2	5223195	1	MOUNT, SENSOR, HALL EFFECT
3	5221584	1	LEVER, HALL EFFECT SENSOR, FAN
4	65794	1	SENSOR, HALL EFFECT
5	65399	2	HOSE CLAMP, 5/16 HIGH PRESS
6	5223222	2	ROD, LOAD WEIGHT
7	65568	2	ROD END, 1/4-28 /2458K321
8	5223196	1	WRAP, UPPER LD WT GV
9	5222375	1	WRAP, AXLE LD WT IND, PTRBLT A8T



Section 5 - Body

204L26 - WATER TANK SHIELD

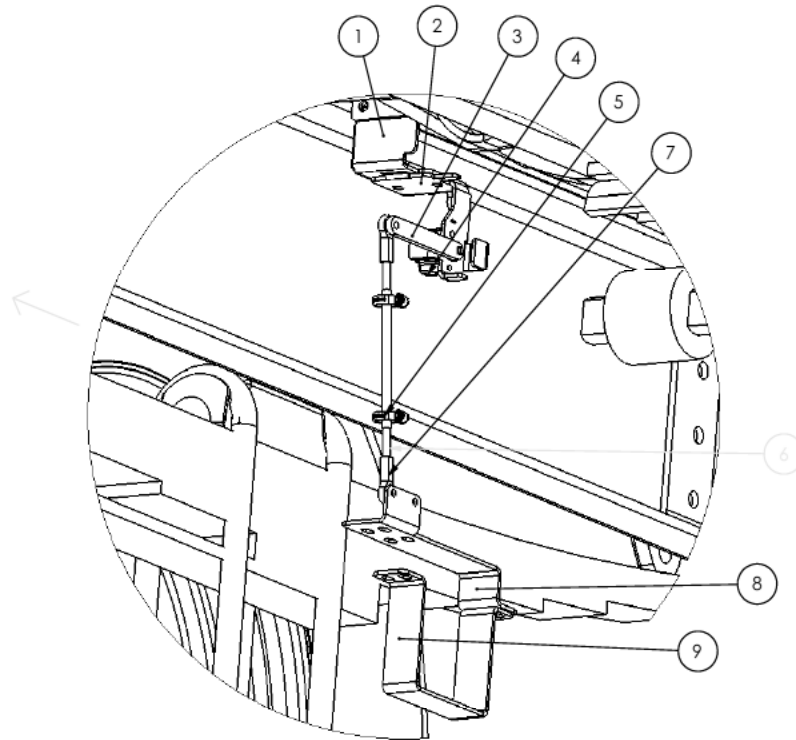
ITEM NO.	PART NUMBER	QTY.	DESCRIPTION
1	3002388	1	GUARD, EXHAUST, KENWORTH
2	300882	4	WELD., EXHAUST GUARD BRACKET
3	31589	4	WASHER, 1/4 FLAT
4	31604	4	WASHER, 1/4 LOCK
5	30651	4	BOLT, 1/4-20X1.25



Section 5 - Body

204M53 - LOAD WEIGHT INDICATOR TIER4

ITEM NO.	PART NUMBER	Default/QTY.	DESCRIPTION
1	5223206	1	ADAPTER, LOAD WEIGHT PLATE
2	5223195	1	MOUNT, SENSOR, HALL EFFECT
3	5221584	1	LEVER, HALL EFFECT SENSOR, FAN
4	65794	1	SENSOR, HALL EFFECT
5	65399	2	HOSE CLAMP, 5/16 HIGH PRESS
6	5223222	2	ROD, LOAD WEIGHT
7	65568	2	ROD END, 1/4-28 /2458K321
8	5223196	1	WRAP, UPPER LD WT GV
9	5221283	1	WRAP, AXLE LD WT IND



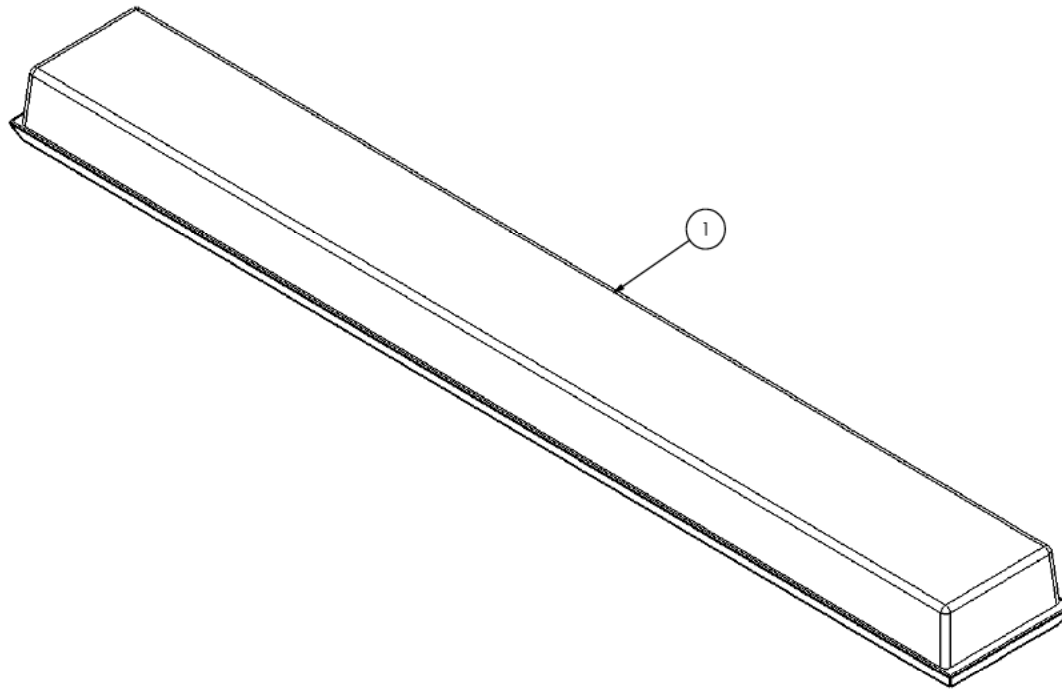
Section 5 - Body

204T22 - BARLIGHT 56" CAB

ITEM NO.	PART NUMBER	QTY.	DESCRIPTION
1	63214	1	BARLIGHT, JUSTICE LED 8 MODULE

ITEMS NOT SHOWN

ITEM NO.	PART NUMBER	QTY.	DESCRIPTION
2	26211	1	CLIP, WIRE .313" - .406"
3	203429	1	CONSOLE KIT, STROBE/BEACN/BARL
4	20529-4	1	TUBING, 3/8 NYLON AIR, 10 FEET
5	20149	3	CLAMP, 3/8" NYLON



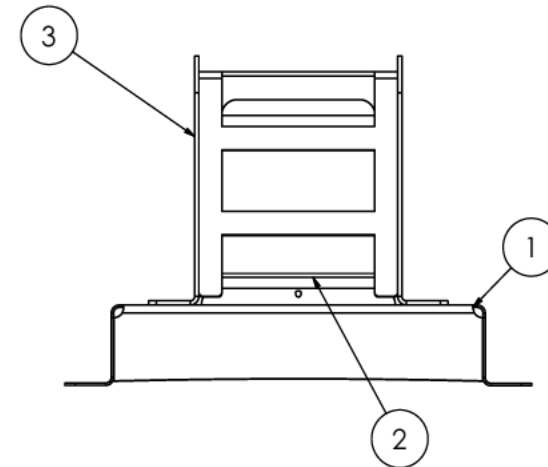
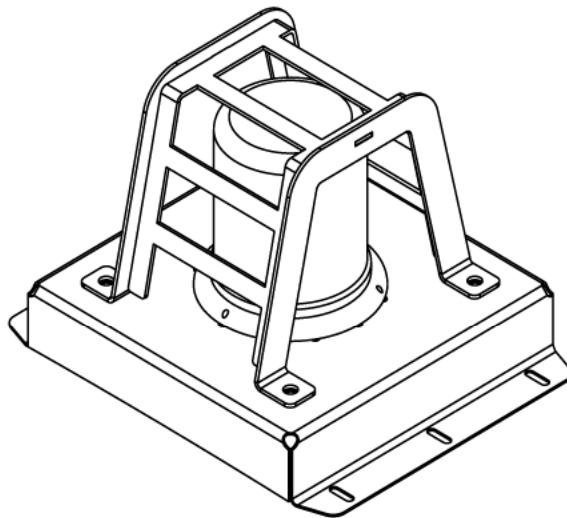
Section 5 - Body

204B51 - STROBE, CONV CAB

ITEM NO.	PART NUMBER	QTY.	DESCRIPTION
1	3000783	1	BEACON BRACKET, CAB MOUNT
2	61935	1	BEACON, LED, CLASS 1 AMBER
3	525716	1	LIMB GUARD, BEACON

ITEMS NOT SHOWN

ITEM NO.	PART NUMBER	QTY.	DESCRIPTION
4	203429	1	CONSOLE KIT, STROBE/BEACN/BARL



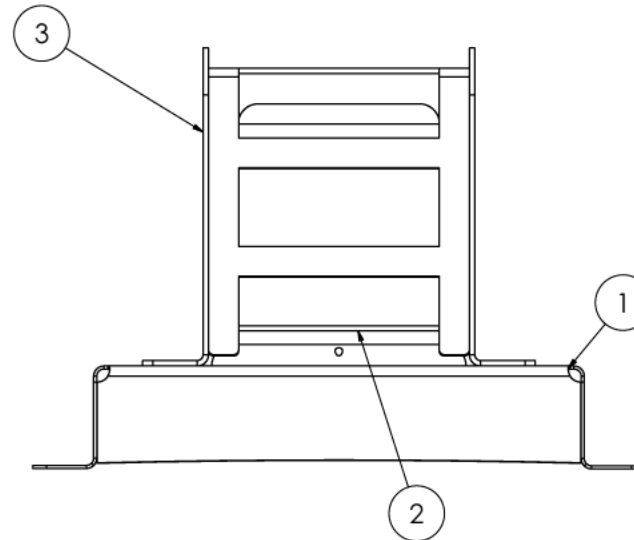
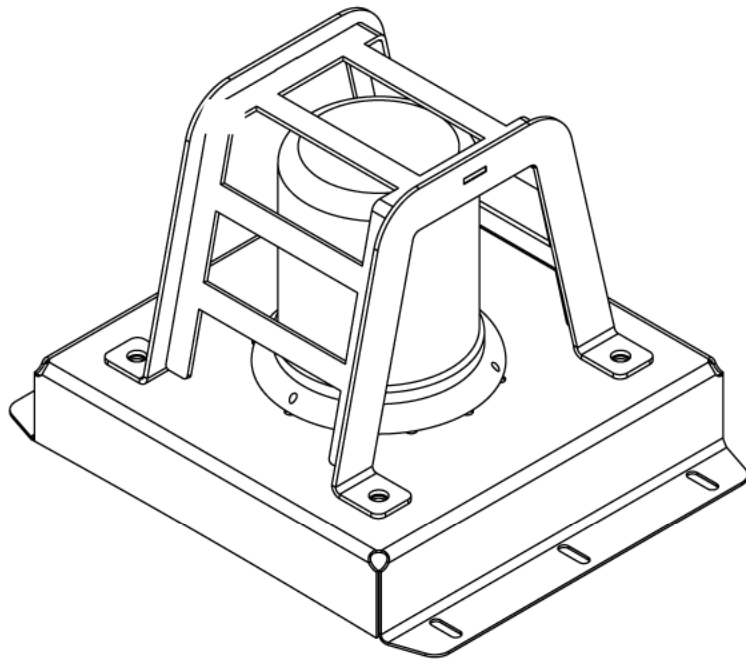
Section 5 - Body

203Y95 - STROBE CAB

ITEM NO.	PART NUMBER	QTY.	DESCRIPTION
1	3000783	1	BEACON BRACKET, CAB MOUNT
2	61935	1	BEACON, LED, CLASS 1 AMBER
3	525716	1	LIMB GUARD, BEACON

ITEMS NOT SHOWN

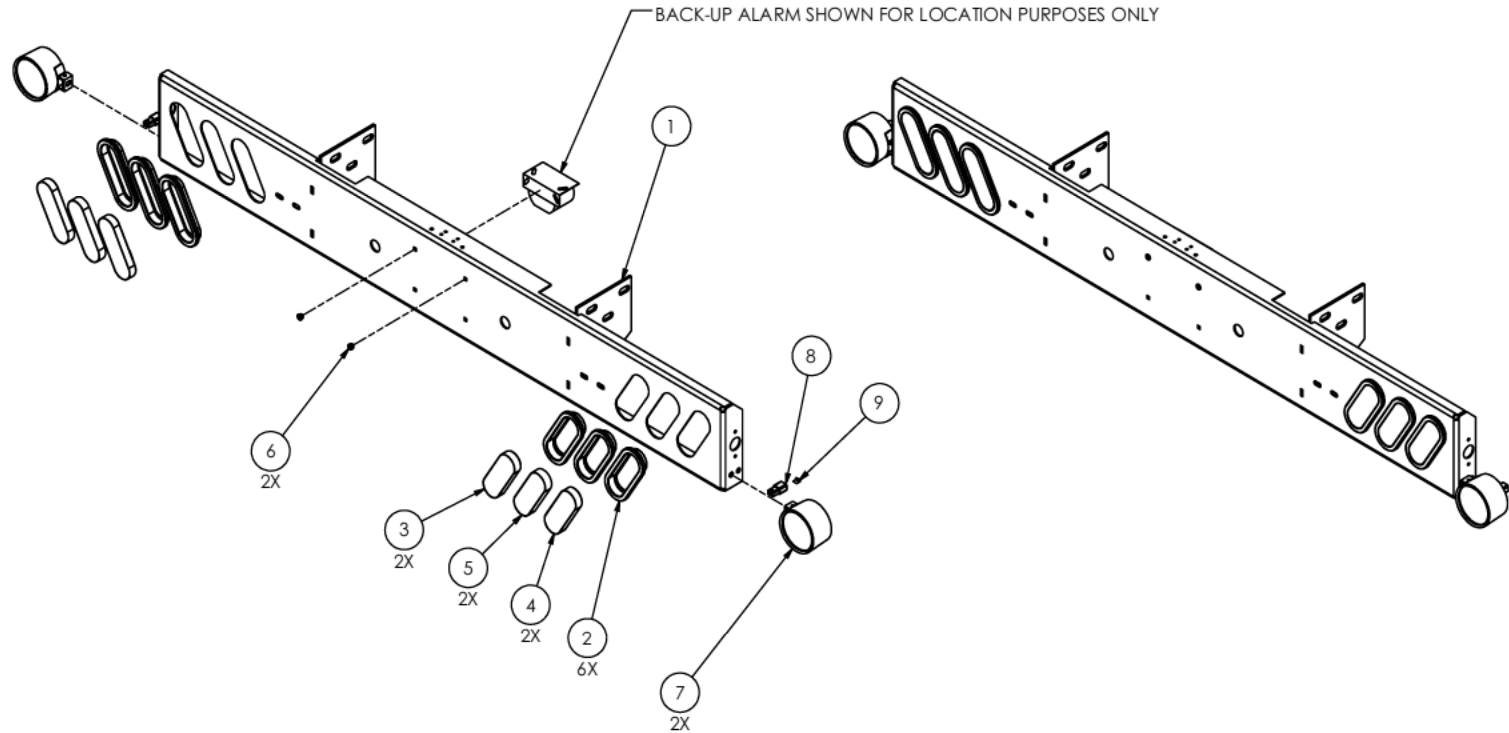
ITEM NO.	PART NUMBER	QTY.	DESCRIPTION
4	20139	4	CLAMP, .50" RUBBER LINED
5	203429	1	CONSOLE KIT, STROBE/BEACN/BARL
6	21982	2	GROMMET, 5/16" RUBBER



Section 5 - Body

204N55 - BUMPER REAR

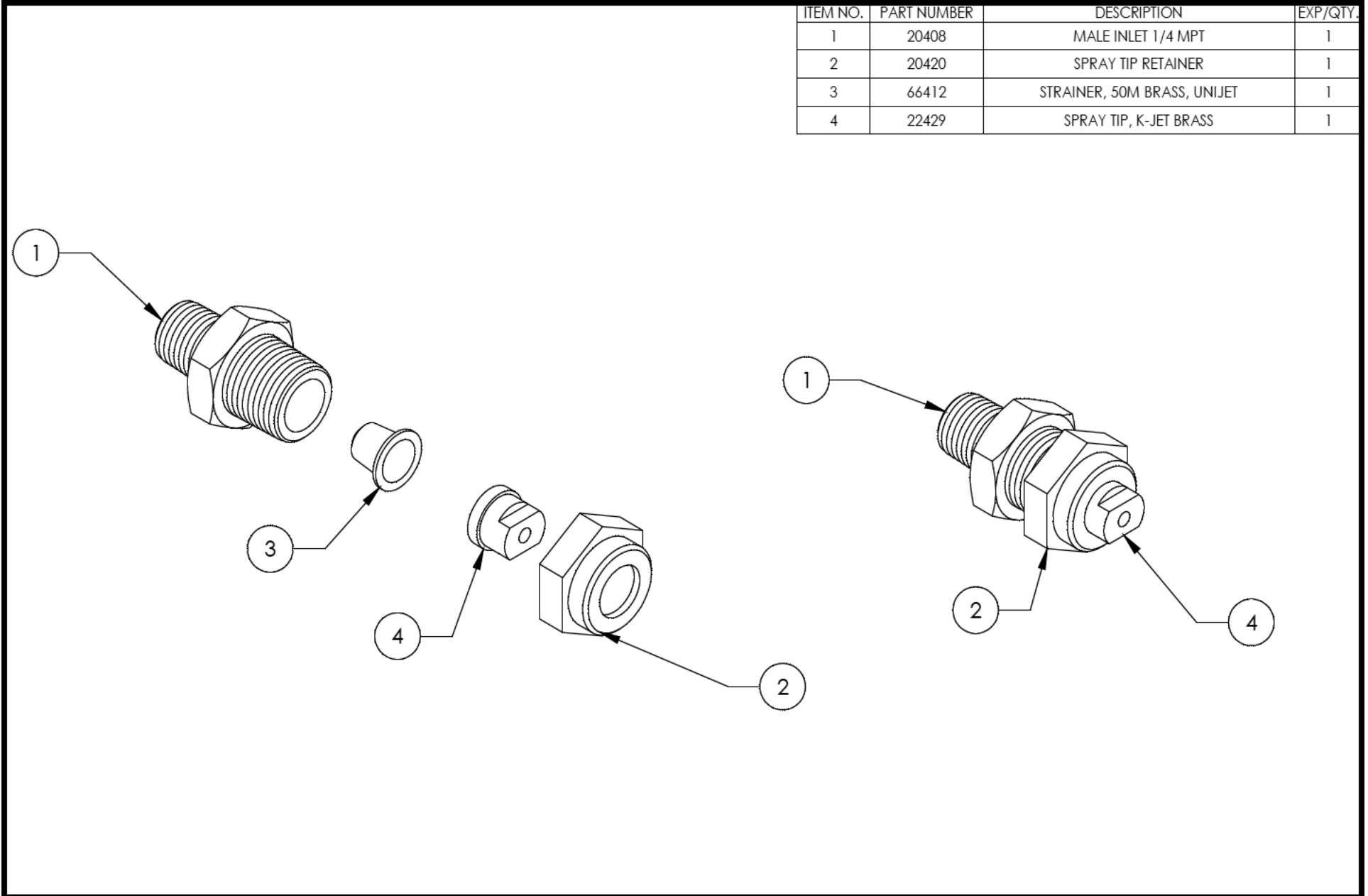
ITEM NO.	PART NUMBER	DESCRIPTION	QTY.
1	524081	BUMPER, REAR, A7000 2010, OVAL	1
2	59875	GROMMET, OVAL 6"	6
3	60800	LIGHT, 6.5" LED BACKUP LIGHT	2
4	54209	LIGHT, 6.5" WIDE, AMBER, LED	2
5	55625	LIGHT, 6.5" WIDE, RED LED	2
6	27966	TAG SCREW RECEPTACLE INSERT	2
7	61541	LED PAR 36 FLOOD LIGHT	2
8	64595	CONNECTOR, 2WAY RECEPTACLE	2
9	64610	WEDGELOCK, 2 WAY RECEPTACLE, D	2
10	65875	HARNESS, BUMPER, A7T (NOT SHOWN)	1



Section 5 - Body

203G42 - SPRAY TIP

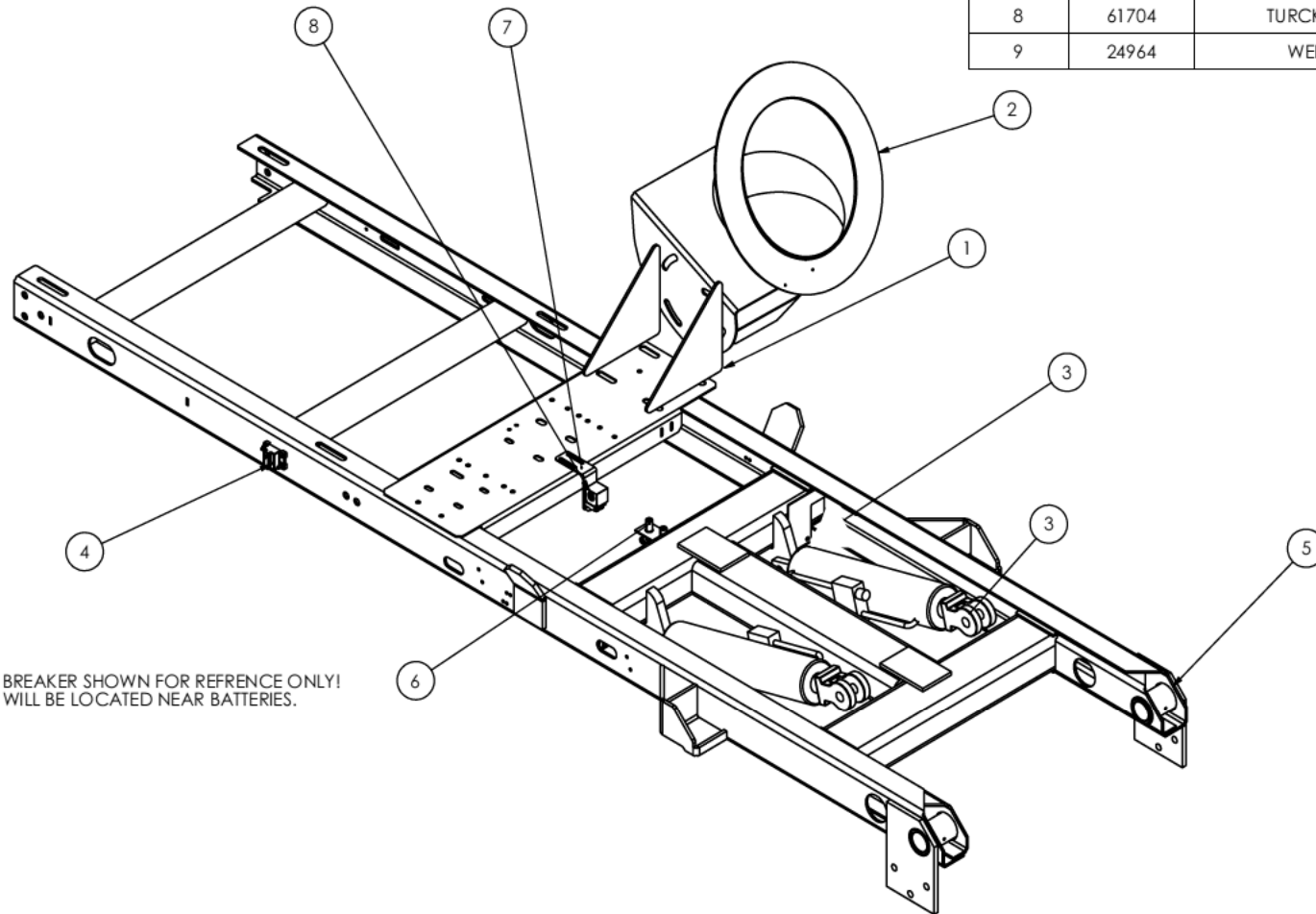
ITEM NO.	PART NUMBER	DESCRIPTION	EXP/QTY.
1	20408	MALE INLET 1/4 MPT	1
2	20420	SPRAY TIP RETAINER	1
3	66412	STRAINER, 50M BRASS, UNIJET	1
4	22429	SPRAY TIP, K-JET BRASS	1



Section 5 - Body

204L19 - FRAME

ITEM NO.	PART NUMBER	DESCRIPTION	QTY.
1	523169	TRANSITION TUBE MOUNT BRACKET	1
2	523170	TRANSITION TUBE WELDMENT	1
3	64227	DUMP CYLINDER W/ C'BALANCE	2
4	28272	BREAKER, 80 AMP	1
5	522870	FRAME MAIN, A7000	1
6	204L08	KIT, HOSE HOPPER LIFT	1
7	5221966	MOUNT, HOPPER DN PROX	1
8	61704	TURCK PRX SWITCH & BRKT	1
9	24964	WELDNUT, 1/4-20UNC	2



BREAKER SHOWN FOR REFERENCE ONLY!
WILL BE LOCATED NEAR BATTERIES.

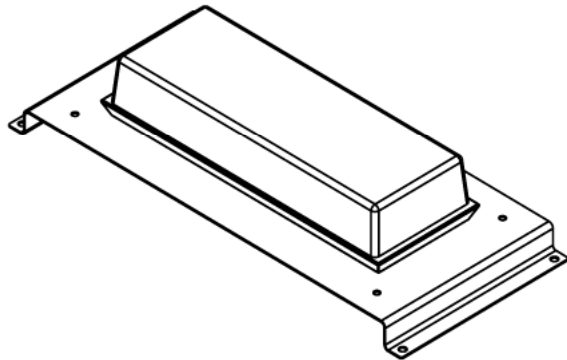
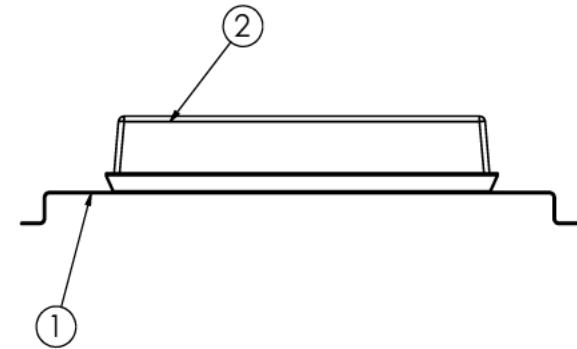
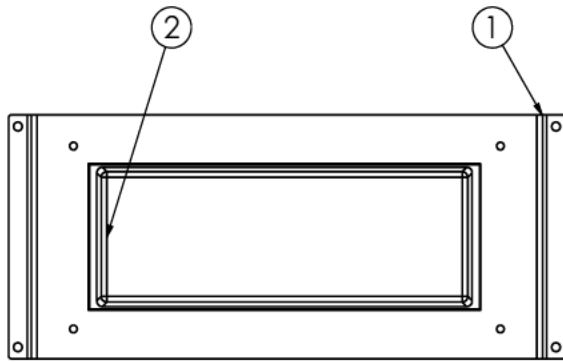
Section 5 - Body

203U23 - LED BARLIGHT, IH

ITEM NO.	PART NUMBER	QTY.	DESCRIPTION
1	5218155	1	BRACKET, MINI LED BARLIGHT
2	61523	1	MINI LED BARLIGHT

ITEMS NOT SHOWN

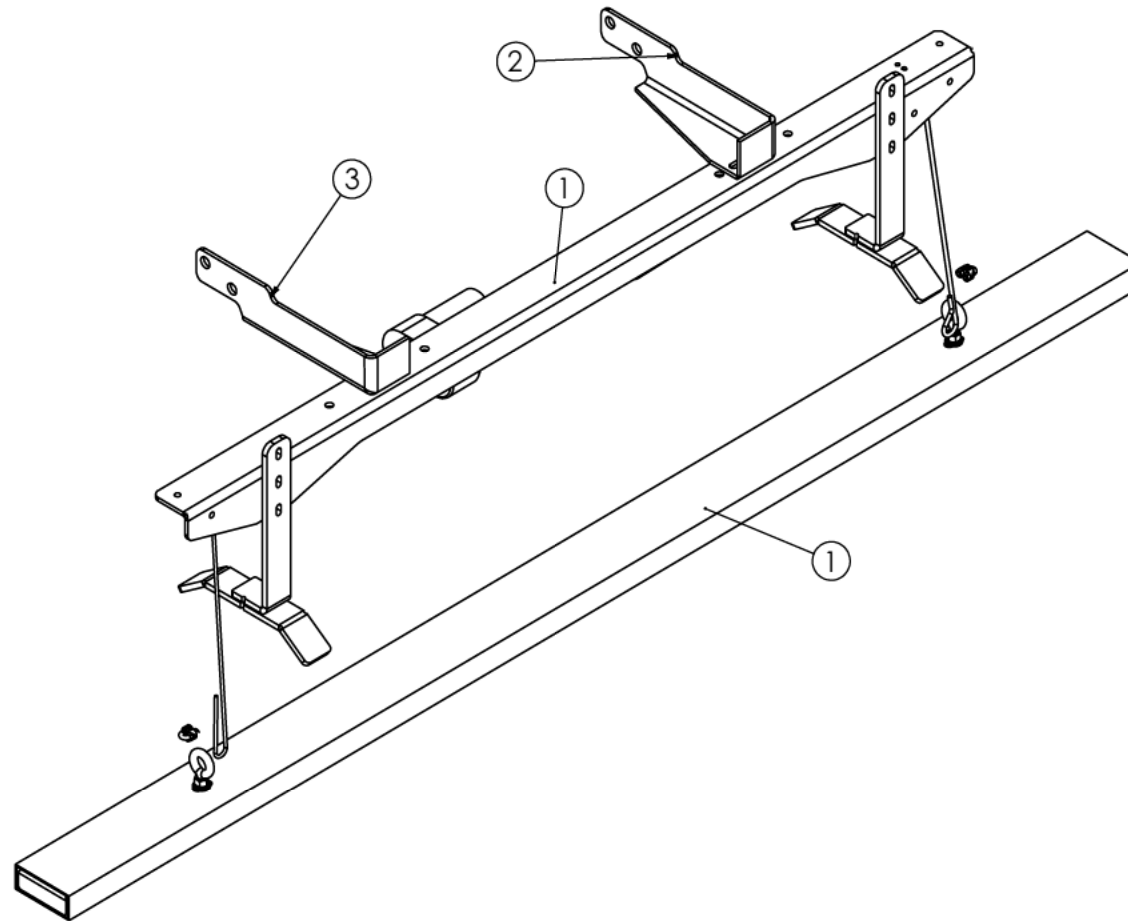
ITEM NO.	PART NUMBER	QTY.	DESCRIPTION
3	20139	3	CLAMP, .50" RUBBER LINED
4	64806	1	FRONT LIGHT HARNESS
5	26211	3	CLIP, WIRE .313" - .406"
6	64595	1	CONNECTOR, 2WAY RECEPTACLE
7	64610	1	WEDGELOCK, DT, 2POS RECPT
8	62185	1	SEALED RELAY, DPST



Section 5 - Body

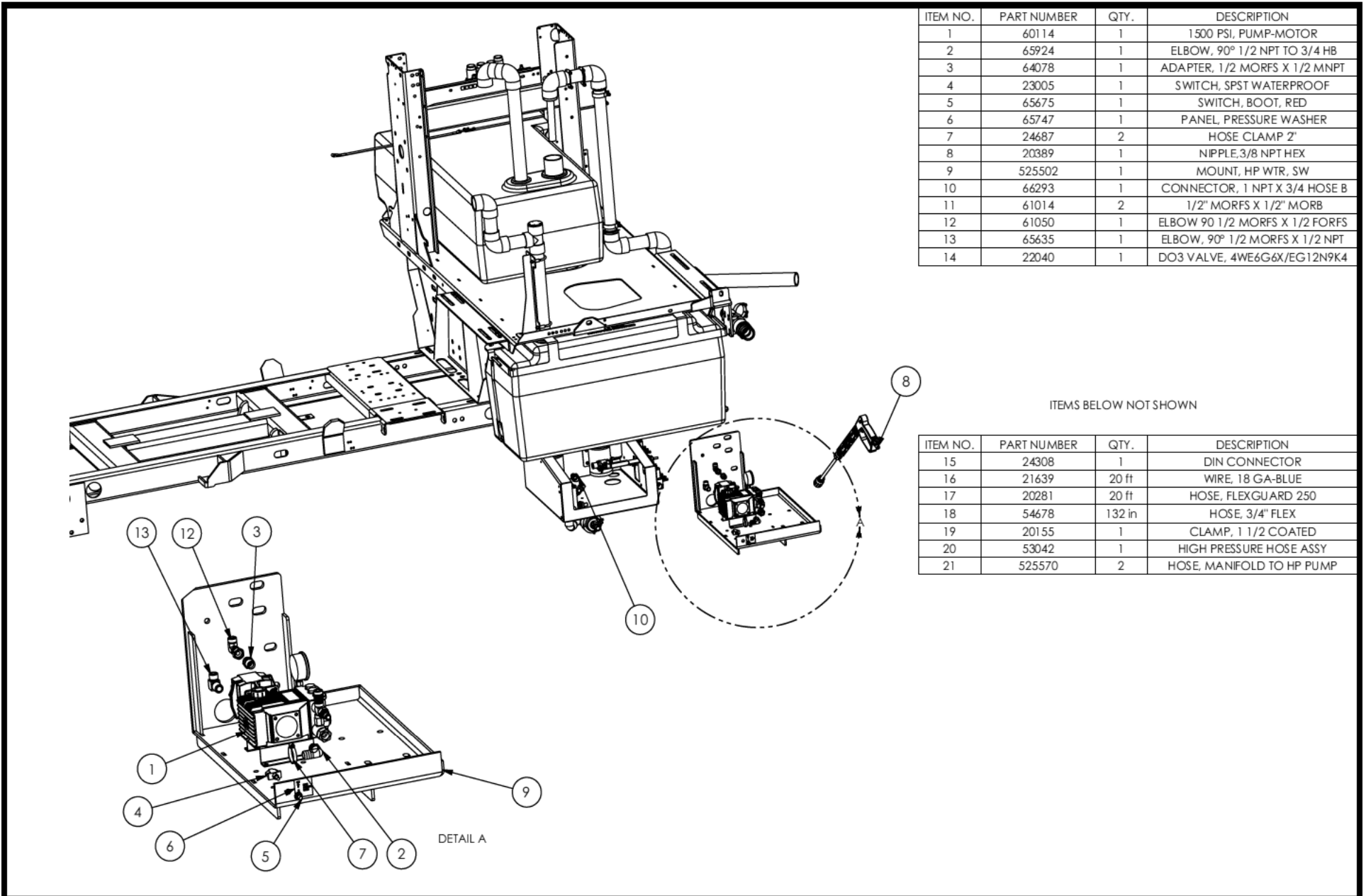
204A25 - BAR MAGNET MOUNT, COE

ITEM NO.	PART NUMBER	QTY.	DESCRIPTION
1	203Z84	1	ASSY, 90° BAR MAGNET
2	5218447	1	LH MAGNET MNT BKT, 16T
3	5218446	1	RH MAGNET MNT BKT, 16T



Section 5 - Body

204U48 - HP WATER SW, REAR TANK



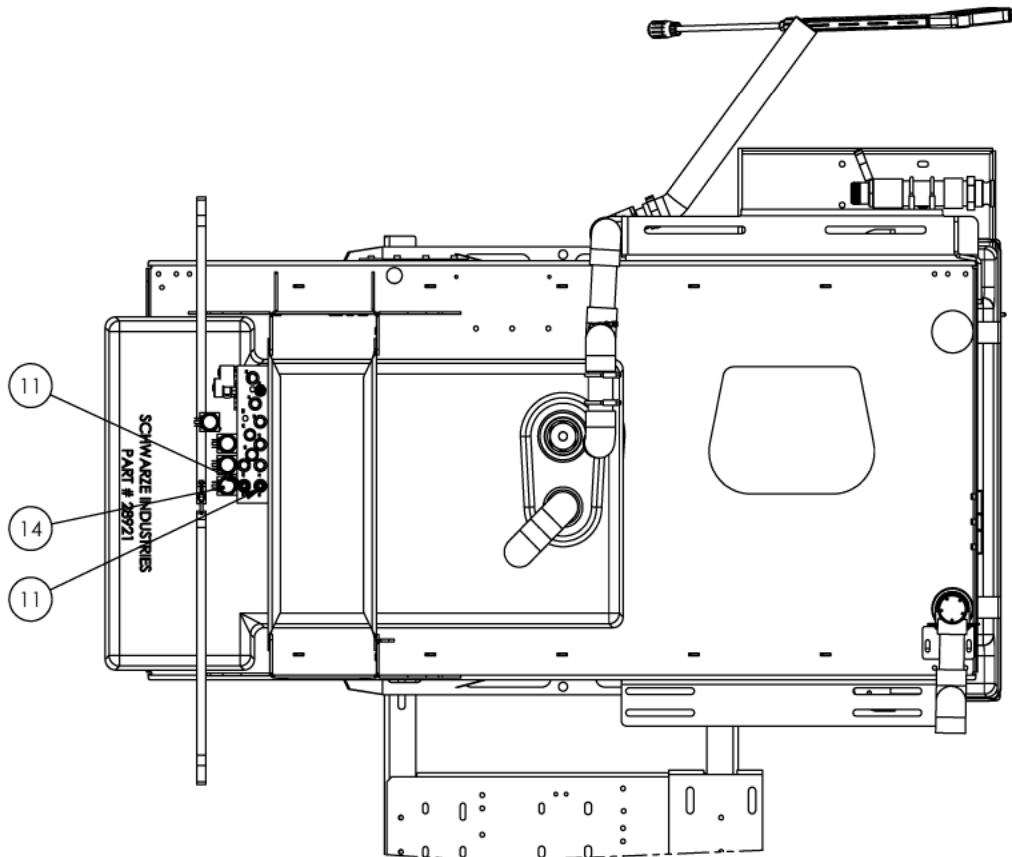
ITEM NO.	PART NUMBER	QTY.	DESCRIPTION
1	60114	1	1500 PSI, PUMP-MOTOR
2	65924	1	ELBOW, 90° 1/2 NPT TO 3/4 HB
3	64078	1	ADAPTER, 1/2 MORFS X 1/2 MNPT
4	23005	1	SWITCH, SPST WATERPROOF
5	65675	1	SWITCH, BOOT, RED
6	65747	1	PANEL, PRESSURE WASHER
7	24687	2	HOSE CLAMP 2"
8	20389	1	NIPPLE, 3/8 NPT HEX
9	525502	1	MOUNT, HP WTR, SW
10	66293	1	CONNECTOR, 1 NPT X 3/4 HOSE B
11	61014	2	1/2" MORFS X 1/2" MORB
12	61050	1	ELBOW 90 1/2 MORFS X 1/2 FORFS
13	65635	1	ELBOW, 90° 1/2 MORFS X 1/2 NPT
14	22040	1	DO3 VALVE, 4WE6G6X/EG12N9K4

ITEMS BELOW NOT SHOWN

ITEM NO.	PART NUMBER	QTY.	DESCRIPTION
15	24308	1	DIN CONNECTOR
16	21639	20 ft	WIRE, 18 GA-BLUE
17	20281	20 ft	HOSE, FLEXGUARD 250
18	54678	132 in	HOSE, 3/4" FLEX
19	20155	1	CLAMP, 1 1/2 COATED
20	53042	1	HIGH PRESSURE HOSE ASSY
21	525570	2	HOSE, MANIFOLD TO HP PUMP

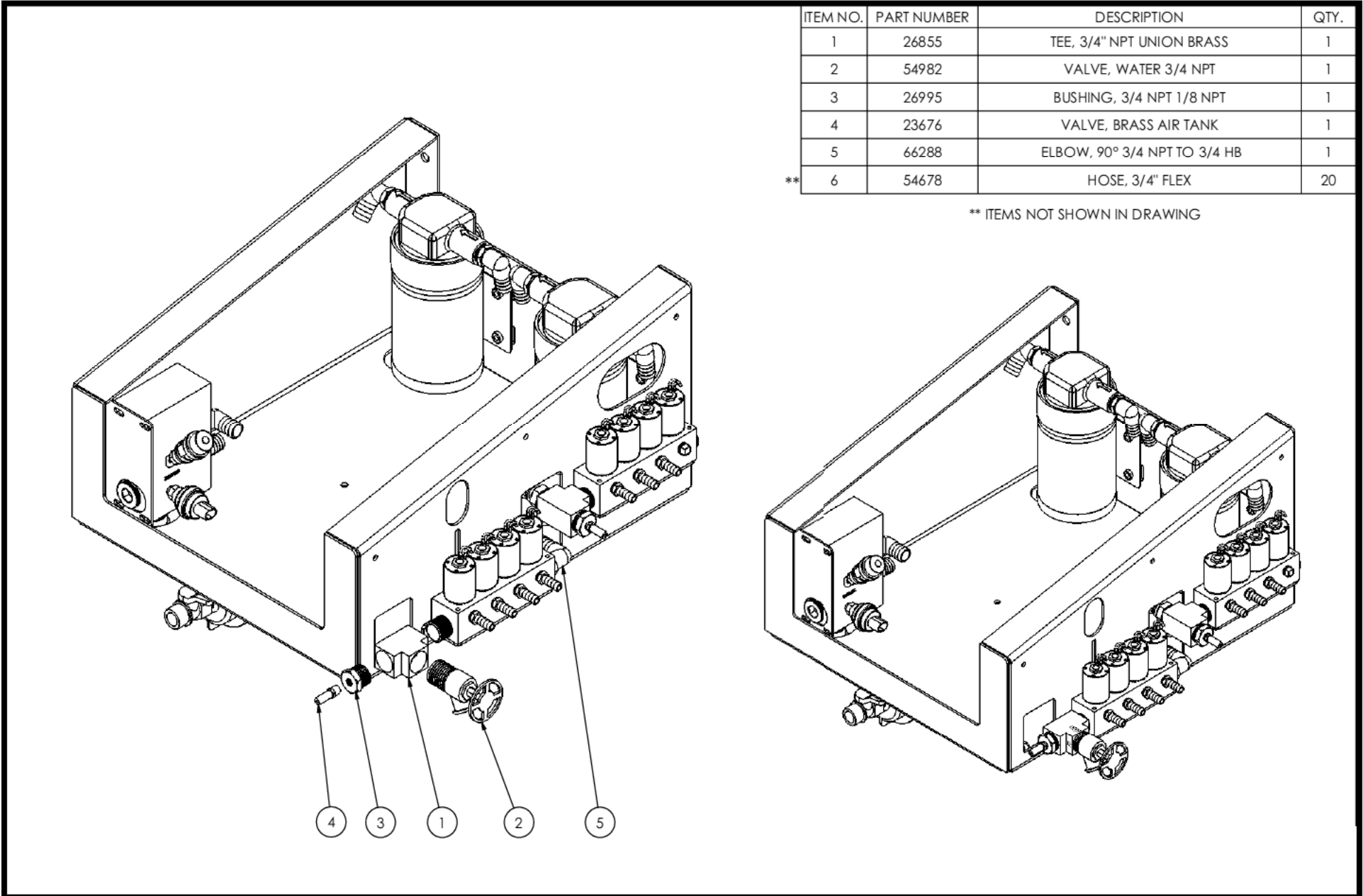
Section 5 - Body

204U48 - HP WATER SW, REAR TANK



Section 5 - Body

204U00 - TRAY, DUAL WP

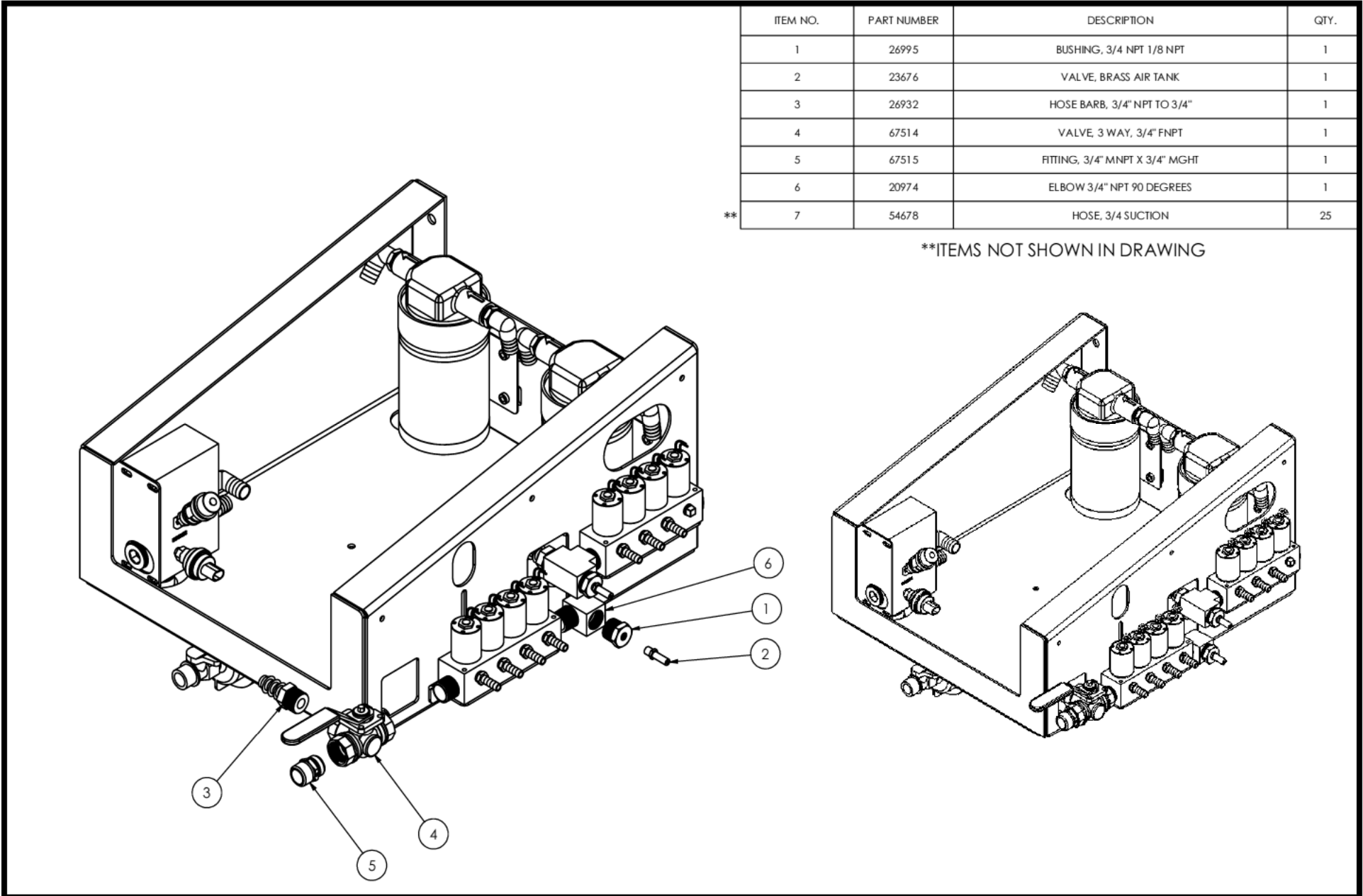


ITEM NO.	PART NUMBER	DESCRIPTION	QTY.
1	26855	TEE, 3/4" NPT UNION BRASS	1
2	54982	VALVE, WATER 3/4 NPT	1
3	26995	BUSHING, 3/4 NPT 1/8 NPT	1
4	23676	VALVE, BRASS AIR TANK	1
5	66288	ELBOW, 90° 3/4 NPT TO 3/4 HB	1
**	54678	HOSE, 3/4" FLEX	20

** ITEMS NOT SHOWN IN DRAWING

Section 5 - Body

204T98 - TRAY, DUAL WP HI-PRESS

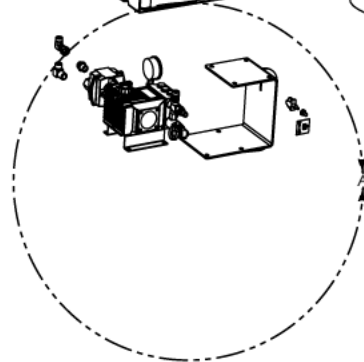
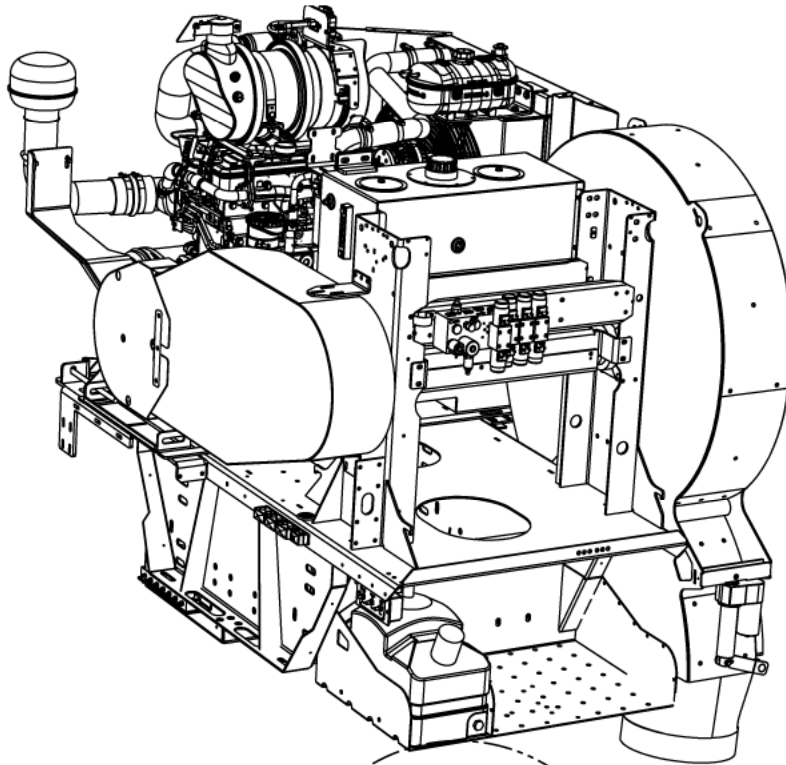


ITEM NO.	PART NUMBER	DESCRIPTION	QTY.
1	26995	BUSHING, 3/4 NPT 1/8 NPT	1
2	23676	VALVE, BRASS AIR TANK	1
3	26932	HOSE BARB, 3/4" NPT TO 3/4"	1
4	67514	VALVE, 3 WAY, 3/4" FNPT	1
5	67515	FITTING, 3/4" MNPT X 3/4" MGHT	1
6	20974	ELBOW 3/4" NPT 90 DEGREES	1
**	54678	HOSE, 3/4 SUCTION	25

**ITEMS NOT SHOWN IN DRAWING

Section 5 - Body

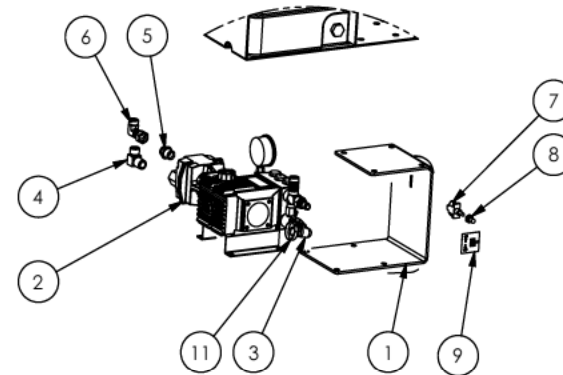
204Q53 - HP WTR W/TB



ITEM NO.	PART NUMBER	QTY.	DESCRIPTION
1	523043	1	HANGER,PUMP,HI-P,R,WATR
2	60114	1	1500 PSI, PUMP-MOTOR
3	65924	1	ELBOW, 90° 1/2 NPT TO 3/4 HB
4	65635	1	ELBOW, 90° 1/2 MORFS X 1/2 NPT
5	64078	1	ADAPTER, 1/2 MORFS X 1/2 MNPT
6	61050	1	ELBOW 90 1/2 MORFS X 1/2 FORF
7	23005	1	SWITCH, SPST WATERPROOF
8	20122	1	RUBBER SWITCH BOOT
9	65747	1	PANEL, PRESSURE WASHER
10	61014	2	1/2" MORFS X 1/2" MORB
11	24687	2	HOSE CLAMP 2"
12	66293	1	CONNECTOR, 1 NPT X 3/4 HOSE
13	22040	1	DO3 VALVE, 4WE6G6X/EG12N9K

ITEMS BELOW NOT SHOWN

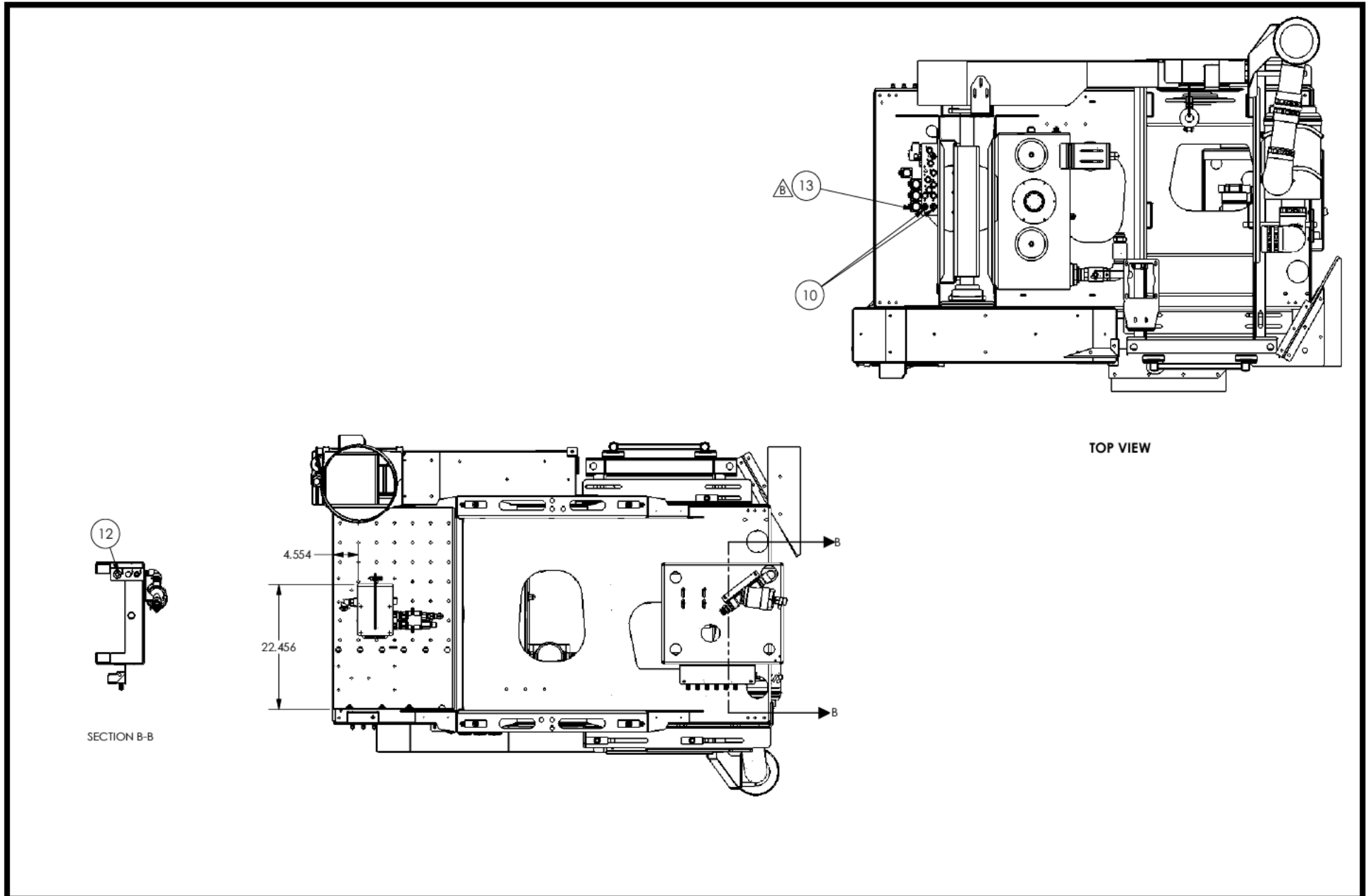
ITEM NO.	PART NUMBER	QTY.	DESCRIPTION
14	24308	1	DIN CONNECTOR
15	21639	20 ft	WIRE, 18 GA-BLUE
16	20281	20 ft	HOSE, FLEXGUARD 250
17	54678	11 ft	HOSE, 3/4" FLEX
18	20155	1	CLAMP, 1 1/2 COATED
19	525571	2	HOSE, MANIFOLD TO HP PUMP



DETAIL A

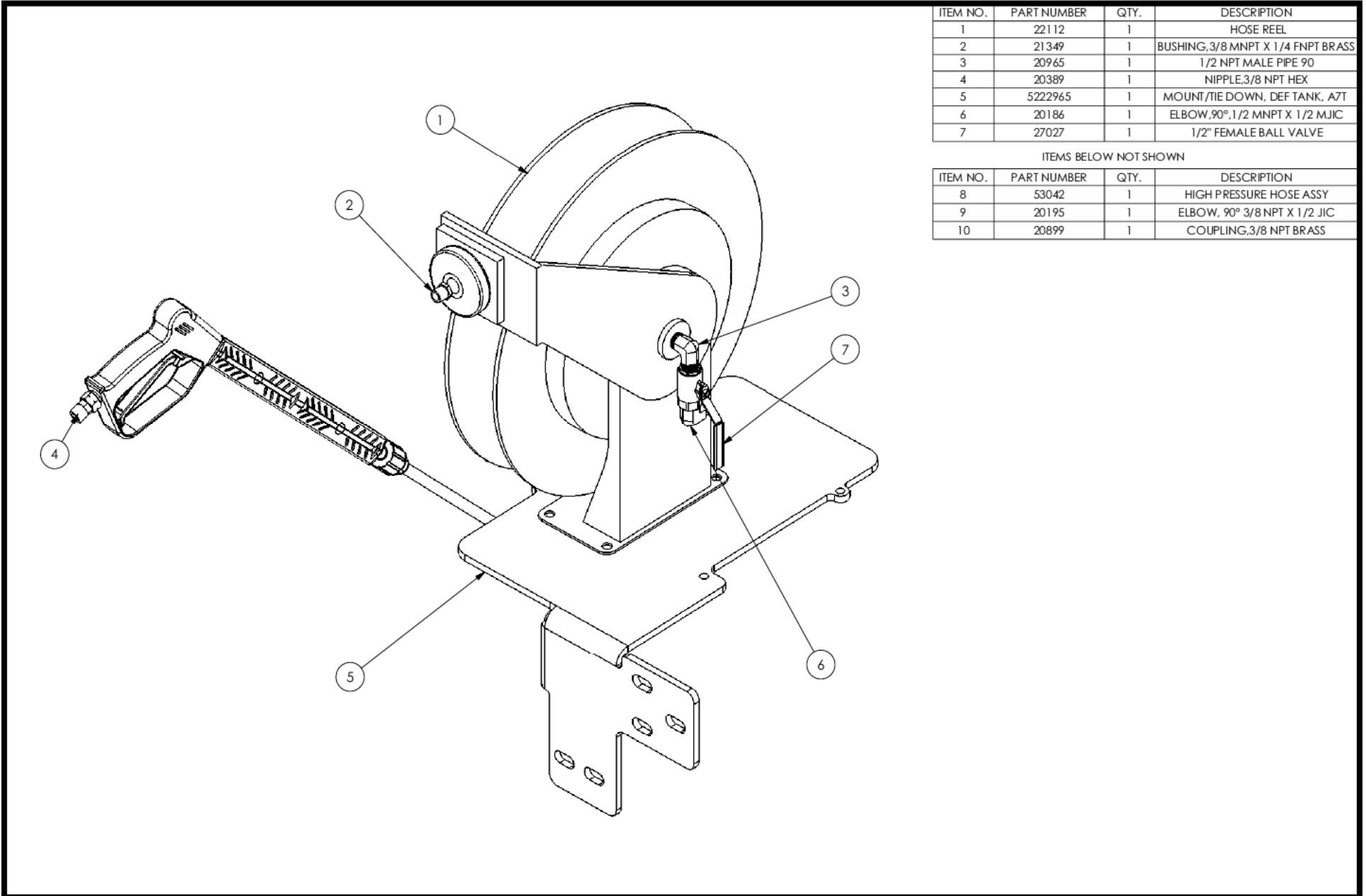
Section 5 - Body

204Q53 - HP WTR W/TB



Section 5 - Body

204Q59 - HOSE REEL M2



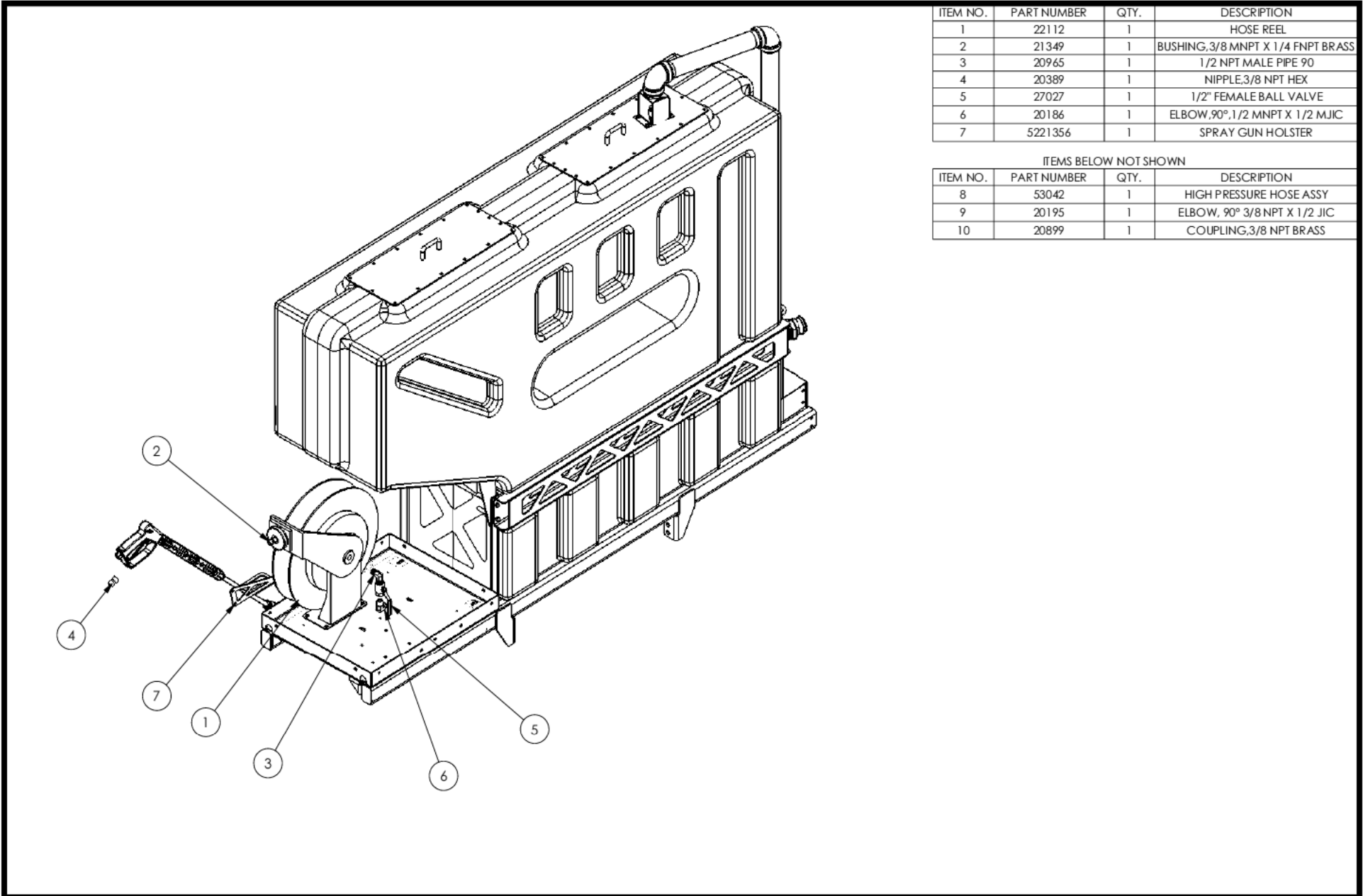
ITEM NO.	PART NUMBER	QTY.	DESCRIPTION
1	22112	1	HOSE REEL
2	21349	1	BUSHING, 3/8 MNPT X 1/4 FNPT BRASS
3	20965	1	1/2 NPT MALE PIPE 90
4	20389	1	NIPPLE, 3/8 NPT HEX
5	5222965	1	MOUNT/TIE DOWN, DEF TANK, A7T
6	20186	1	ELBOW, 90°, 1/2 MNPT X 1/2 MJIC
7	27027	1	1/2" FEMALE BALL VALVE

ITEMS BELOW NOT SHOWN

ITEM NO.	PART NUMBER	QTY.	DESCRIPTION
8	53042	1	HIGH PRESSURE HOSE ASSY
9	20195	1	ELBOW, 90° 3/8 NPT X 1/2 JIC
10	20899	1	COUPLING, 3/8 NPT BRASS

Section 5 - Body

204Q58 - HOSE REEL 350 TK



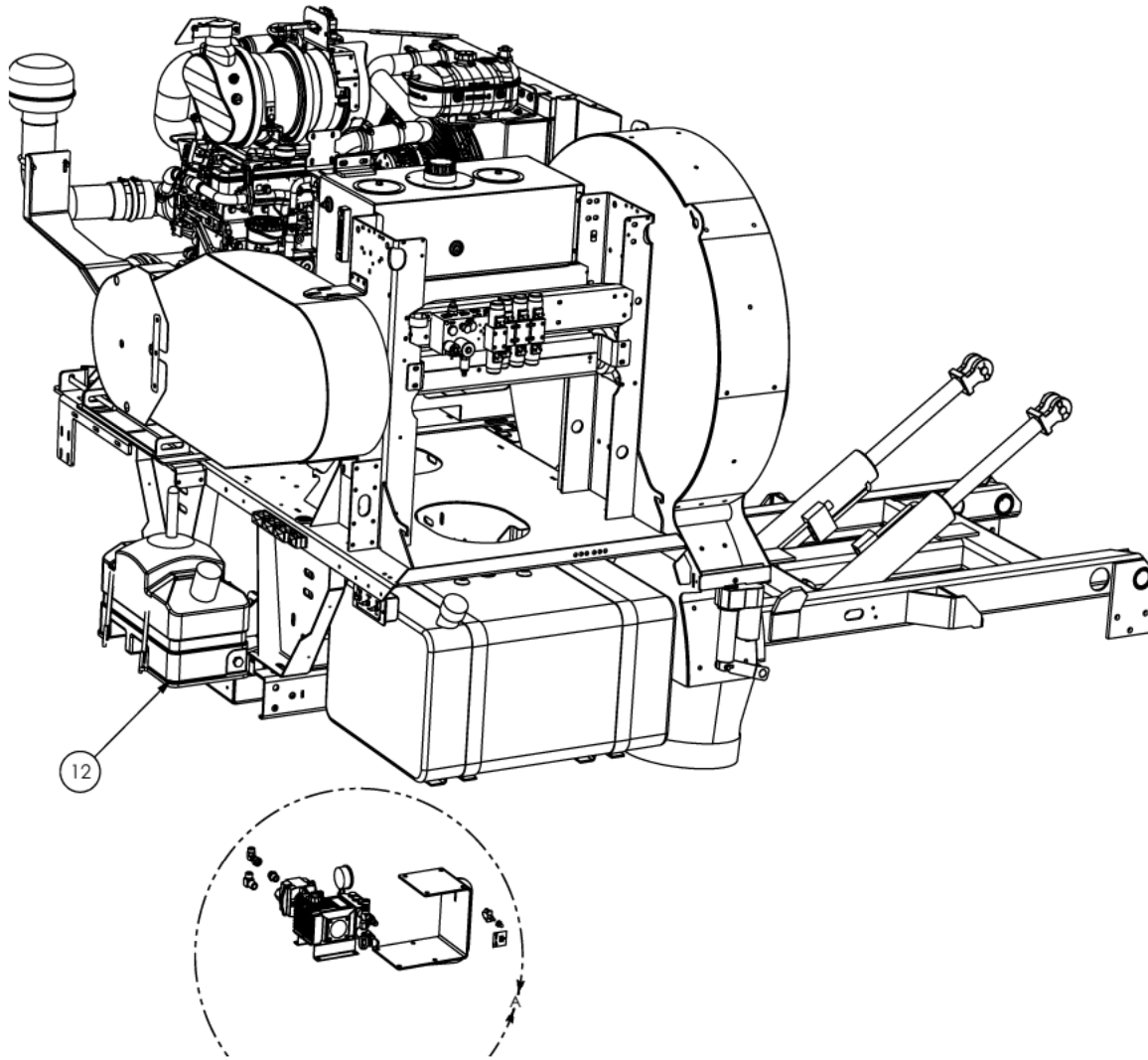
ITEM NO.	PART NUMBER	QTY.	DESCRIPTION
1	22112	1	HOSE REEL
2	21349	1	BUSHING, 3/8 MNPT X 1/4 FNPT BRASS
3	20965	1	1/2 NPT MALE PIPE 90
4	20389	1	NIPPLE, 3/8 NPT HEX
5	27027	1	1/2" FEMALE BALL VALVE
6	20186	1	ELBOW, 90°, 1/2 MNPT X 1/2 MJIC
7	5221356	1	SPRAY GUN HOLSTER

ITEMS BELOW NOT SHOWN

ITEM NO.	PART NUMBER	QTY.	DESCRIPTION
8	53042	1	HIGH PRESSURE HOSE ASSY
9	20195	1	ELBOW, 90° 3/8 NPT X 1/2 JIC
10	20899	1	COUPLING, 3/8 NPT BRASS

Section 5 - Body

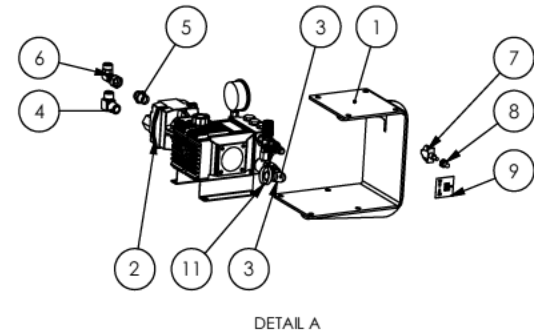
204Q54 - HP WTR W/TANK



ITEM NO.	PART NUMBER	QTY.	DESCRIPTION
1	523043	1	HANGER,PUMP,HI-PR,WATR
2	60114	1	1500 PSI, PUMP-MOTOR
3	65924	1	ELBOW, 90° 1/2 NPT TO 3/4 HB
4	65635	1	ELBOW, 90° 1/2 MORFS X 1/2 NPT
5	64078	1	ADAPTER, 1/2 MORFS X 1/2 MNPT
6	61050	1	ELBOW 90 1/2 MORFS X 1/2 FORF
7	23005	1	SWITCH, SPST WATERPROOF
8	20122	1	RUBBER SWITCH BOOT
9	65747	1	PANEL, PRESSURE WASHER
10	61014	2	1/2" MORFS X 1/2" MORB
11	24687	2	HOSE CLAMP 2"
12	204Q37	1	INSTALL, DEF TANK A7, A8,A9
13	66293	1	CONNECTOR, 1 NPT X 3/4 HOSE
14	22040	1	DO3 VALVE, 4WE6G6X/EG12N9K

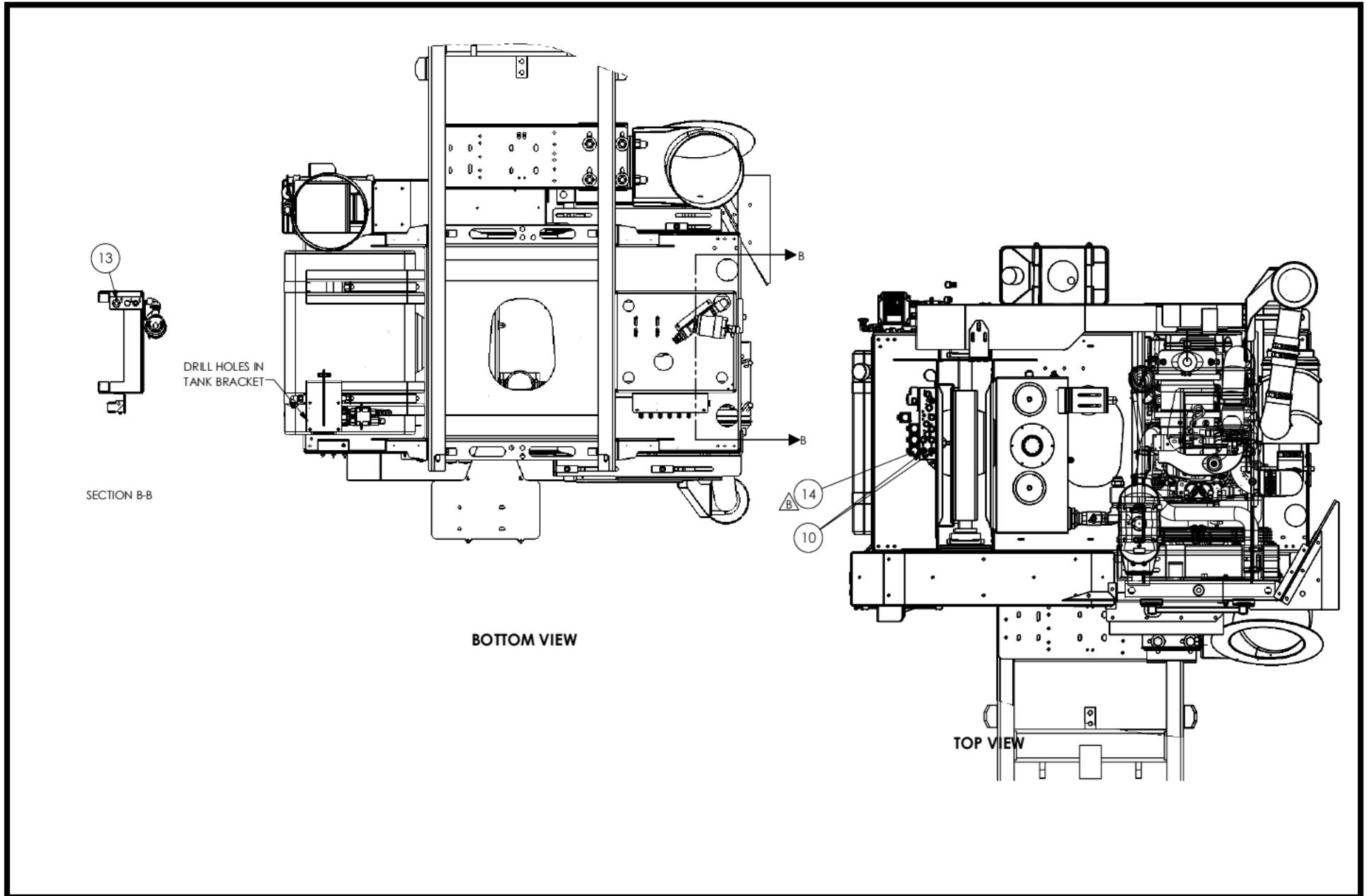
ITEMS BELOW NOT SHOWN

ITEM NO.	PART NUMBER	QTY.	DESCRIPTION
15	24308	1	DIN CONNECTOR
16	21639	20 ft	WIRE, 18 GA-BLUE
17	20281	20 ft	HOSE, FLEXGUARD 250
18	54678	132 in	HOSE, 3/4" FLEX
19	20155	1	CLAMP, 1 1/2 COATED
20	525571	2	HOSE, MANIFOLD TO HP PUMP



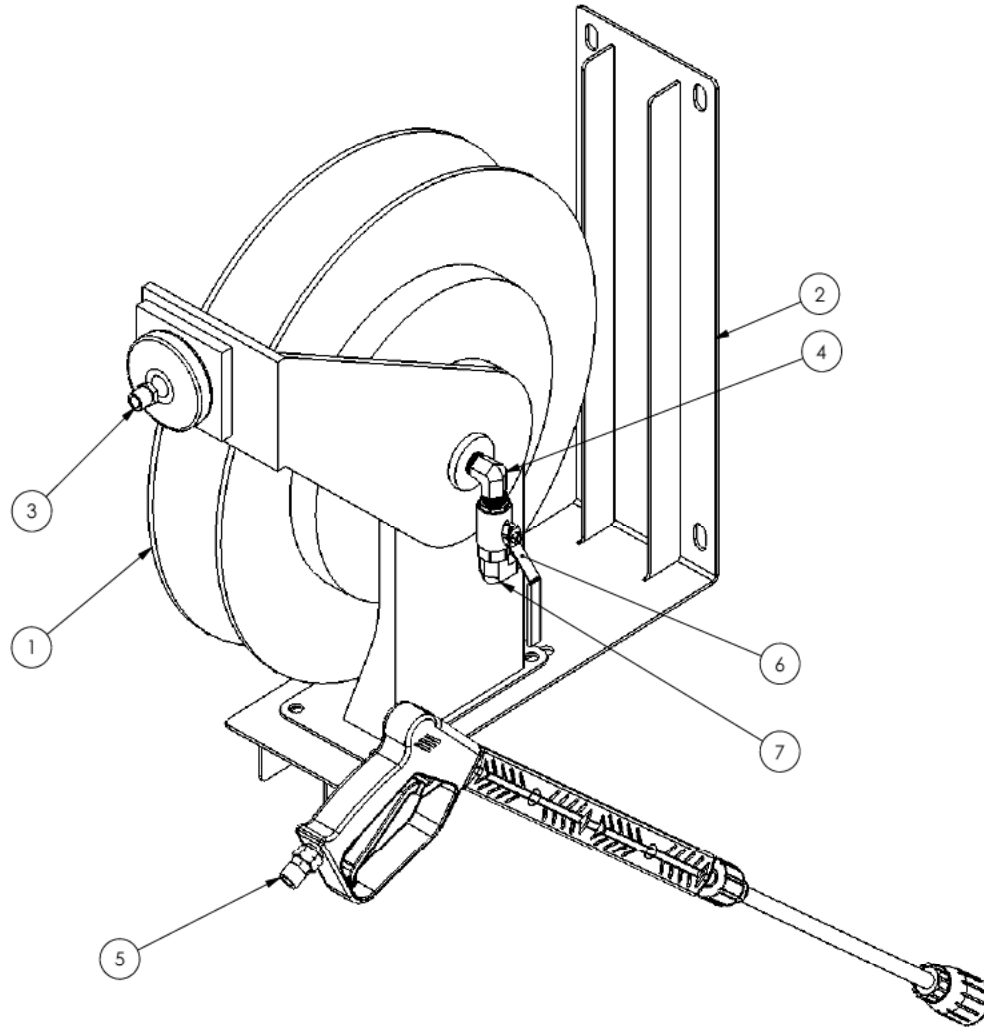
Section 5 - Body

204Q54 - HP WTR W/TANK



Section 5 - Body

204Q56 - HOSE REEL M2



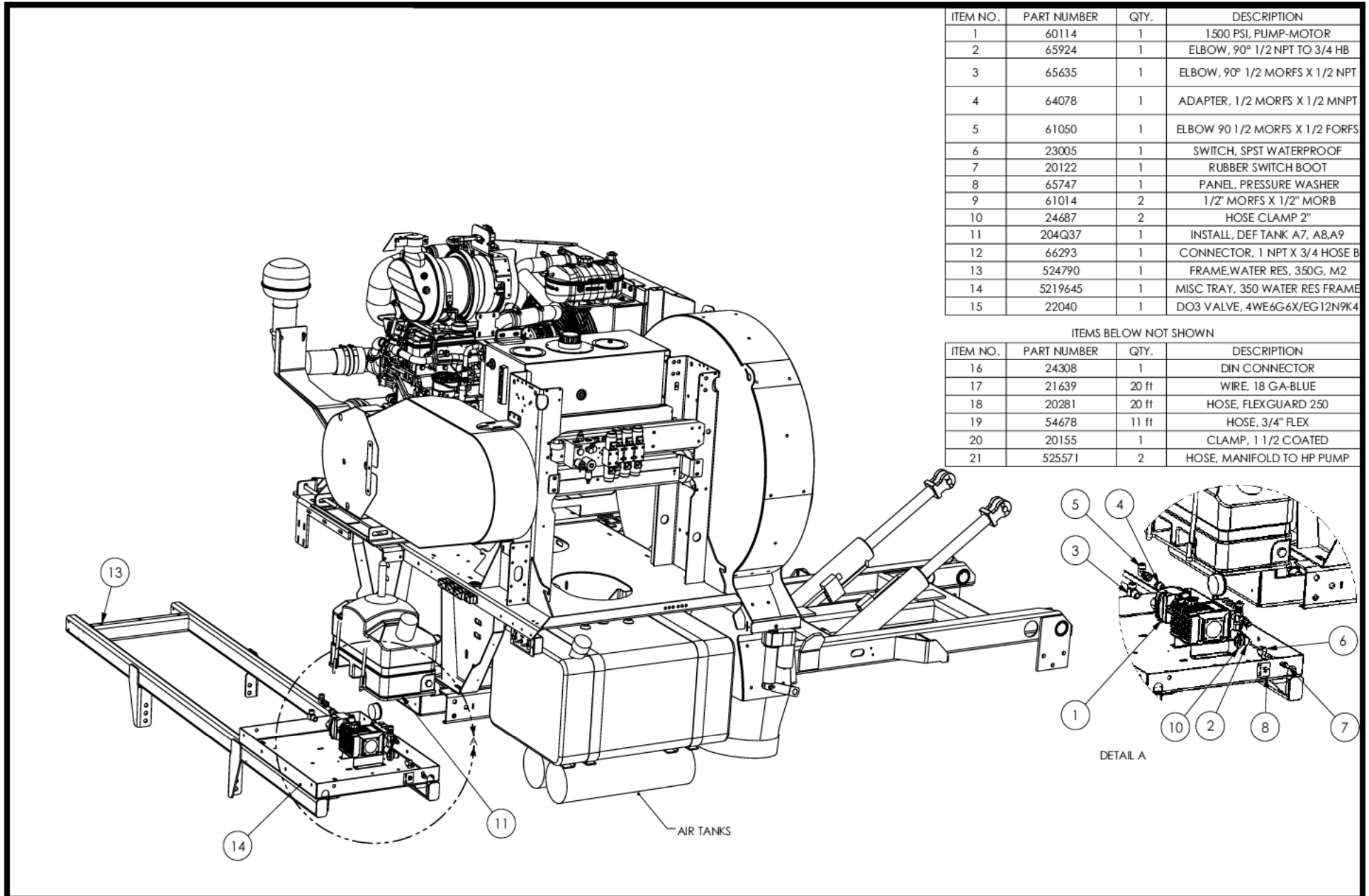
ITEM NO.	PART NUMBER	QTY.	DESCRIPTION
1	22112	1	HOSE REEL
2	525449	1	MOUNT, HP HOSE REEL
3	21349	1	BUSHING, 3/8 MNPT X 1/4 FNPT BRASS
4	20965	1	1/2 NPT MALE PIPE 90
5	20389	1	NIPPLE, 3/8 NPT HEX
6	27027	1	1/2" FEMALE BALL VALVE
7	20186	1	ELBOW, 90°, 1/2 MNPT X 1/2 MJIC

ITEMS BELOW NOT SHOWN

ITEM NO.	PART NUMBER	QTY.	DESCRIPTION
8	53042	1	HIGH PRESSURE HOSE ASSY
9	20195	1	ELBOW, 90° 3/8 NPT X 1/2 JIC
10	20899	1	COUPLING, 3/8 NPT BRASS

Section 5 - Body

204Q61 - HP WTR W/AIR TK



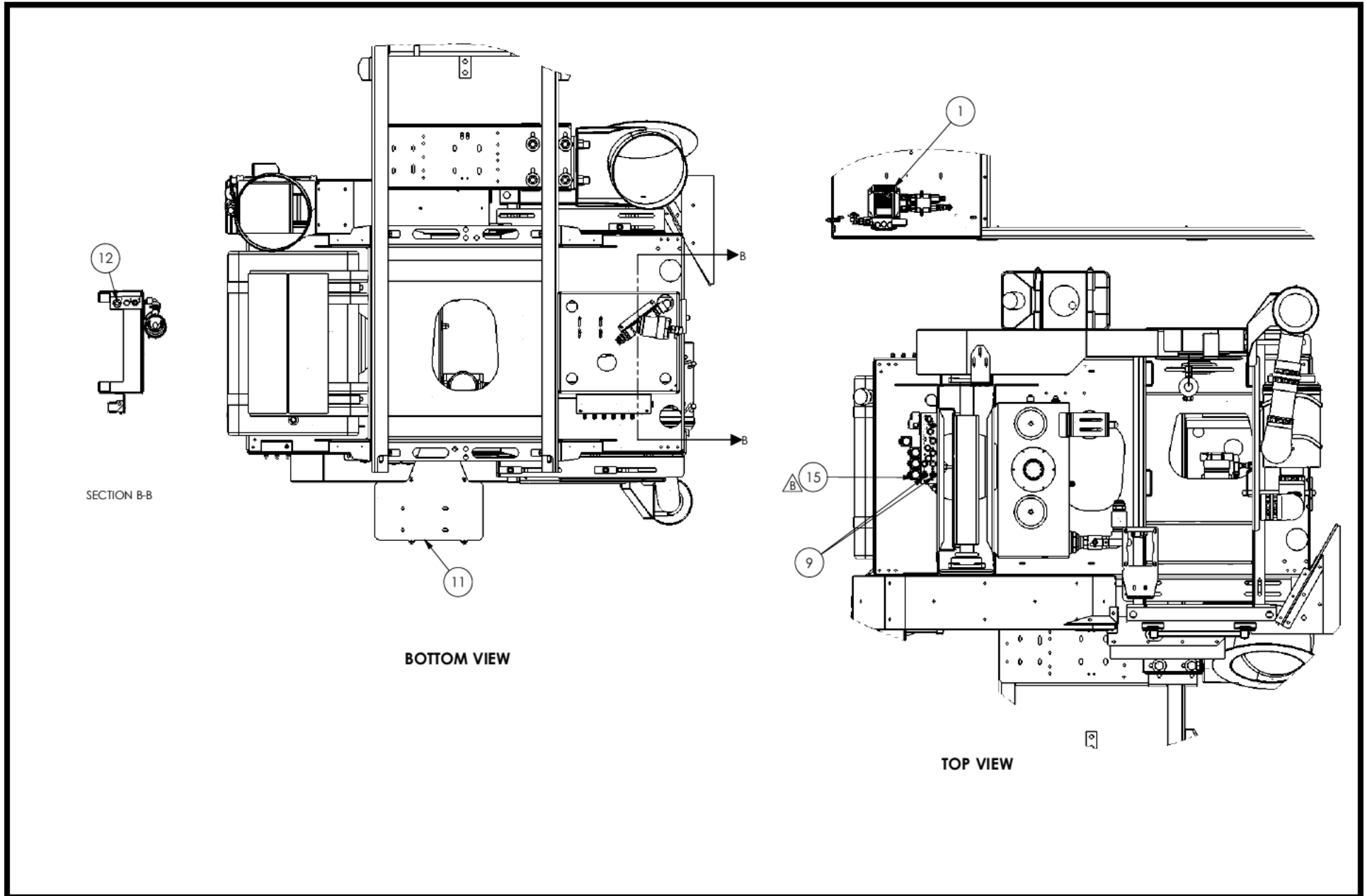
ITEM NO.	PART NUMBER	QTY.	DESCRIPTION
1	60114	1	1500 PSI, PUMP-MOTOR
2	65924	1	ELBOW, 90° 1/2 NPT TO 3/4 HB
3	65635	1	ELBOW, 90° 1/2 MORFS X 1/2 NPT
4	64078	1	ADAPTER, 1/2 MORFS X 1/2 MNPT
5	61050	1	ELBOW 90 1/2 MORFS X 1/2 FORFS
6	23005	1	SWITCH, SPST WATERPROOF
7	20122	1	RUBBER SWITCH BOOT
8	65747	1	PANEL, PRESSURE WASHER
9	61014	2	1/2" MORFS X 1/2" MORB
10	24687	2	HOSE CLAMP 2"
11	204Q37	1	INSTALL, DEF TANK A7, A8,A9
12	66293	1	CONNECTOR, 1 NPT X 3/4 HOSE B
13	524790	1	FRAME,WATER RES, 350G, M2
14	5219645	1	MISC TRAY, 350 WATER RES FRAME
15	22040	1	DO3 V VALVE, 4WE6G6X/EG12N9K4

ITEMS BELOW NOT SHOWN

ITEM NO.	PART NUMBER	QTY.	DESCRIPTION
16	24308	1	DIN CONNECTOR
17	21639	20 ft	WIRE, 18 GA-BLUE
18	20281	20 ft	HOSE, FLEXGUARD 250
19	54678	11 ft	HOSE, 3/4" FLEX
20	20155	1	CLAMP, 1 1/2 COATED
21	525571	2	HOSE, MANIFOLD TO HP PUMP

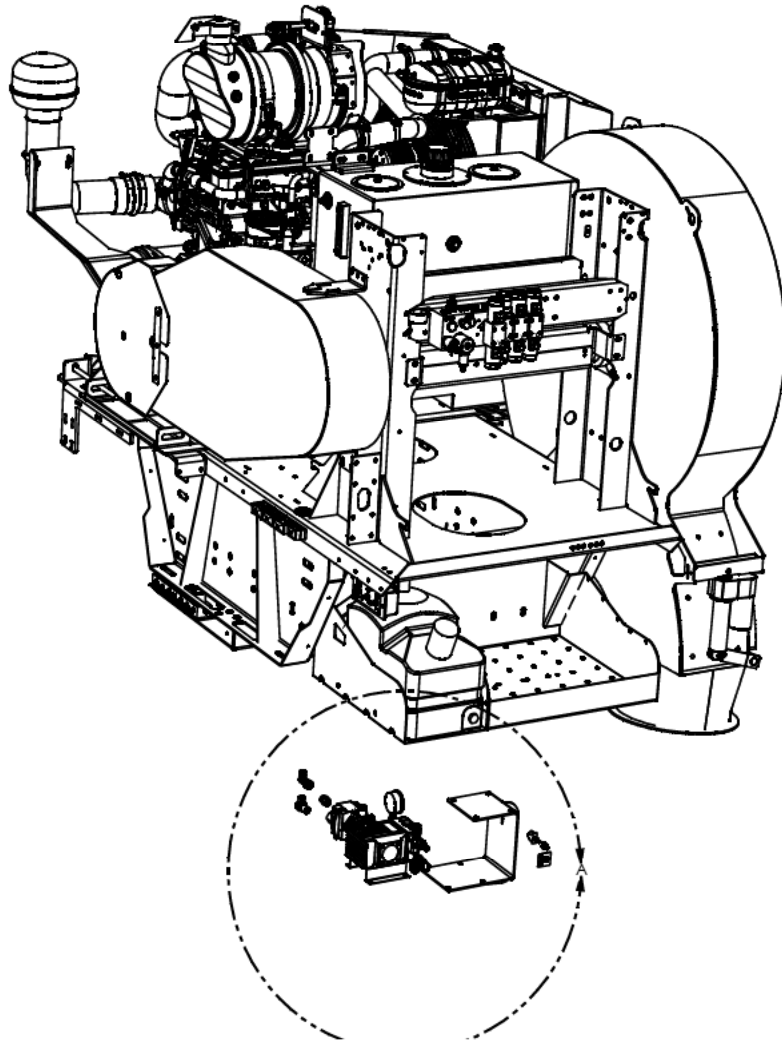
Section 5 - Body

204Q61 - HP WTR W/AIR TK



Section 5 - Body

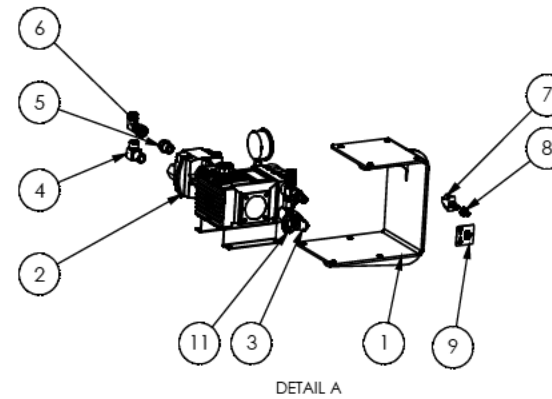
204Q55 - HP WTR W/TT



ITEM NO.	PART NUMBER	QTY.	DESCRIPTION
1	523043	1	HANGER,PUMP,HI-PR,WATR
2	60114	1	1500 PSI, PUMP-MOTOR
3	65924	1	ELBOW, 90° 1/2 NPT TO 3/4 HB
4	65635	1	ELBOW, 90° 1/2 MORFS X 1/2 NPT
5	64078	1	ADAPTER, 1/2 MORFS X 1/2 MNPT
6	61050	1	ELBOW 90 1/2 MORFS X 1/2 FORFS
7	23005	1	SWITCH, SPST WATERPROOF
8	65675	1	SWITCH, BOOT, RED
9	65747	1	PANEL, PRESSURE WASHER
10	61014	2	1/2" MORFS X 1/2" MORB
11	24687	2	HOSE CLAMP 2"
12	66293	1	CONNECTOR, 1 NPT X 3/4 HOSE B
13	22040	1	DO3 VALVE, 4WE6G6X/EG12N9K4

ITEMS BELOW NOT SHOWN

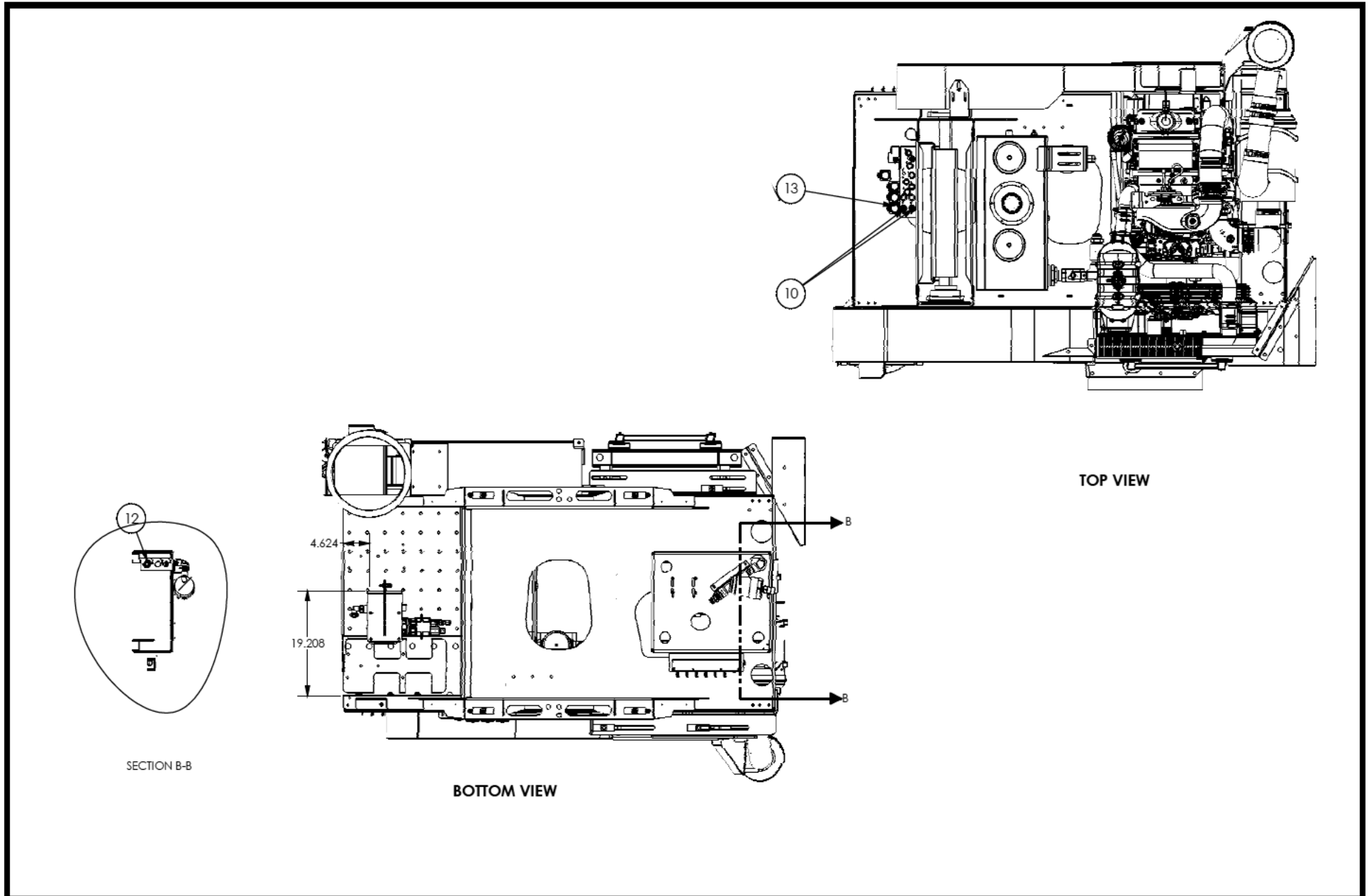
ITEM NO.	PART NUMBER	QTY.	DESCRIPTION
14	24308	1	DIN CONNECTOR
15	21639	20 ft	WIRE, 18 GA-BLUE
16	20281	20 ft	HOSE, FLEXGUARD 250
17	54678	132 in	HOSE, 3/4" FLEX
18	20155	1	CLAMP, 1 1/2 COATED
19	525571	2	HOSE, MANIFOLD TO HP PUMP



DETAIL A

Section 5 - Body

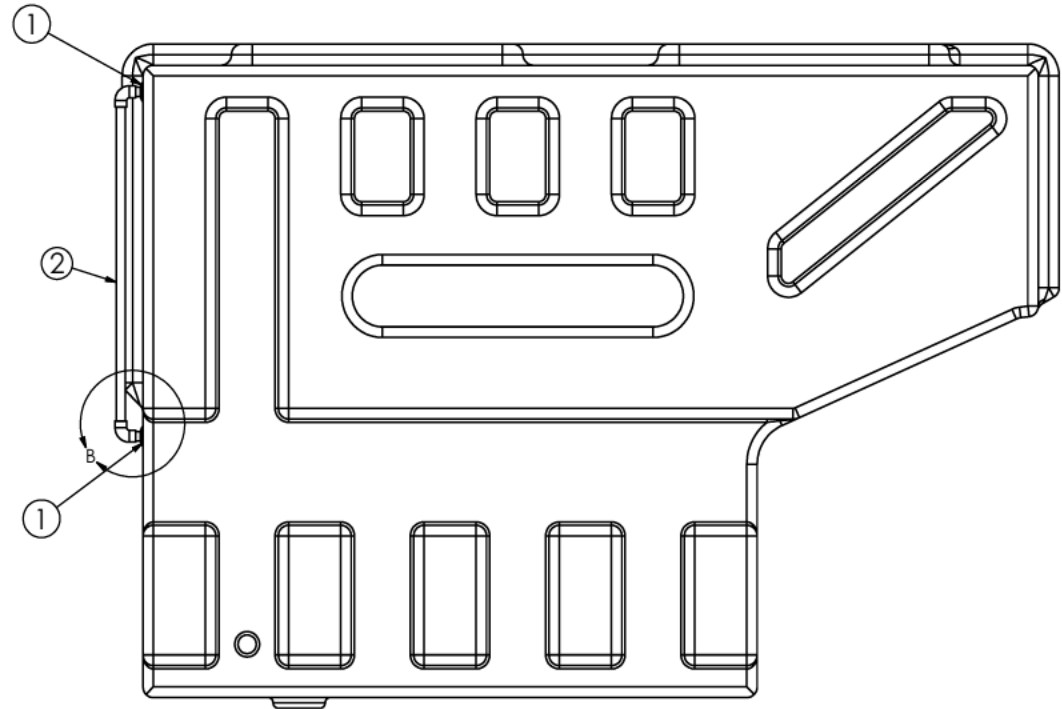
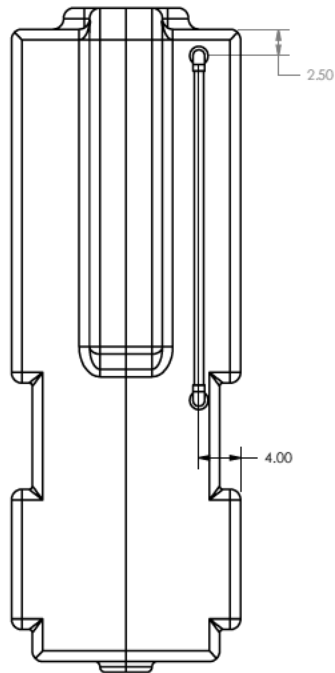
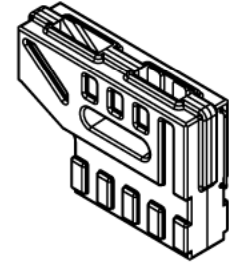
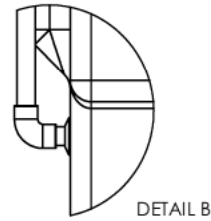
204Q55 - HP WTR W/TT



Section 5 - Body

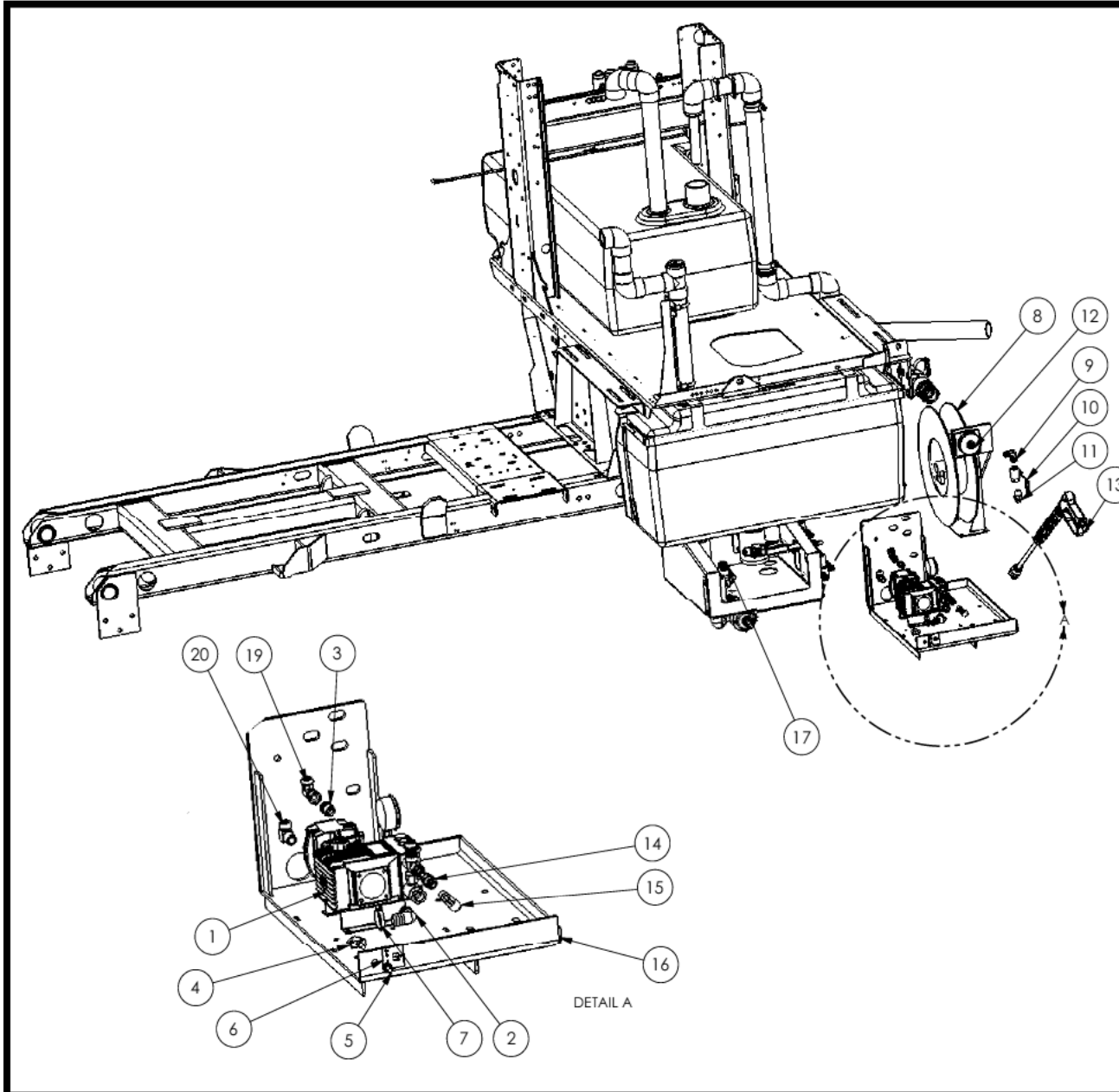
203Q24 - SIGHT GAUGE 350GAL WATER TANK

ITEM NO.	PART NUMBER	Default/QTY.	DESCRIPTION
1	22971	2	GROMMET, 1/2" UNISEAL PIPE
2	523766	1	ASSY,SIGHT GA, 350-G, WTR-TK



Section 5 - Body

204Q64 - HP WATER SW



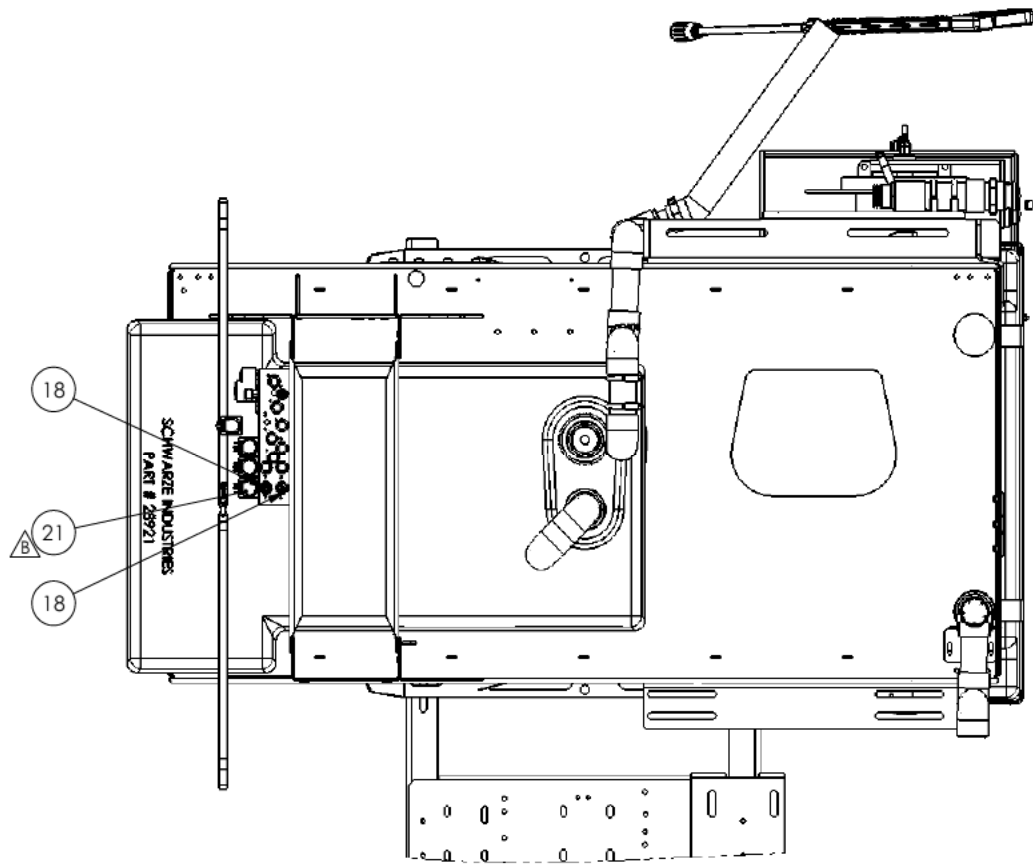
ITEM NO.	PART NUMBER	QTY.	DESCRIPTION
1	60114	1	1500 PSI, PUMP-MOTOR
2	65924	1	ELBOW, 90° 1/2 NPT TO 3/4 HB
3	64078	1	ADAPTER, 1/2 MORFS X 1/2 MNPT
4	23005	1	SWITCH, SPST WATERPROOF
5	65675	1	SWITCH, BOOT, RED
6	65747	1	PANEL, PRESSURE WASHER
7	24687	2	HOSE CLAMP 2"
8	22112	1	HOSE REEL
9	20965	1	1/2 NPT MALE PIPE 90
10	27027	1	1/2" FEMALE BALL VALVE
11	20186	1	ELBOW, 90°, 1/2 MNPT X 1/2 MJIC
12	21349	1	BUSHING, 3/8 MNPT X 1/4 FNPT BR
13	20389	1	NIPPLE, 3/8 NPT HEX
14	20899	1	COUPLING, 3/8 NPT BRASS
15	20195	1	ELBOW, 90° 3/8 NPT X 1/2 JIC
16	525502	1	MOUNT, HP WTR, SW
17	66293	1	CONNECTOR, 1 NPT X 3/4 HOSE B
18	61014	2	1/2" MORFS X 1/2" MORB
19	61050	1	ELBOW 90 1/2 MORFS X 1/2 FORFS
20	65635	1	ELBOW, 90° 1/2 MORFS X 1/2 NPT
21	22040	1	DO3 VALVE, 4WE6G6X/EG12N9K4

ITEMS BELOW NOT SHOWN

ITEM NO.	PART NUMBER	QTY.	DESCRIPTION
22	24308	1	DIN CONNECTOR
23	21639	20 ft	WIRE, 18 GA-BLUE
24	20281	20 ft	HOSE, FLEXGUARD 250
25	54678	132 in	HOSE, 3/4" FLEX
26	20155	1	CLAMP, 1 1/2 COATED
27	53042	1	HIGH PRESSURE HOSE ASSY
28	525570	2	HOSE, MANFOLD TO HP PUMP

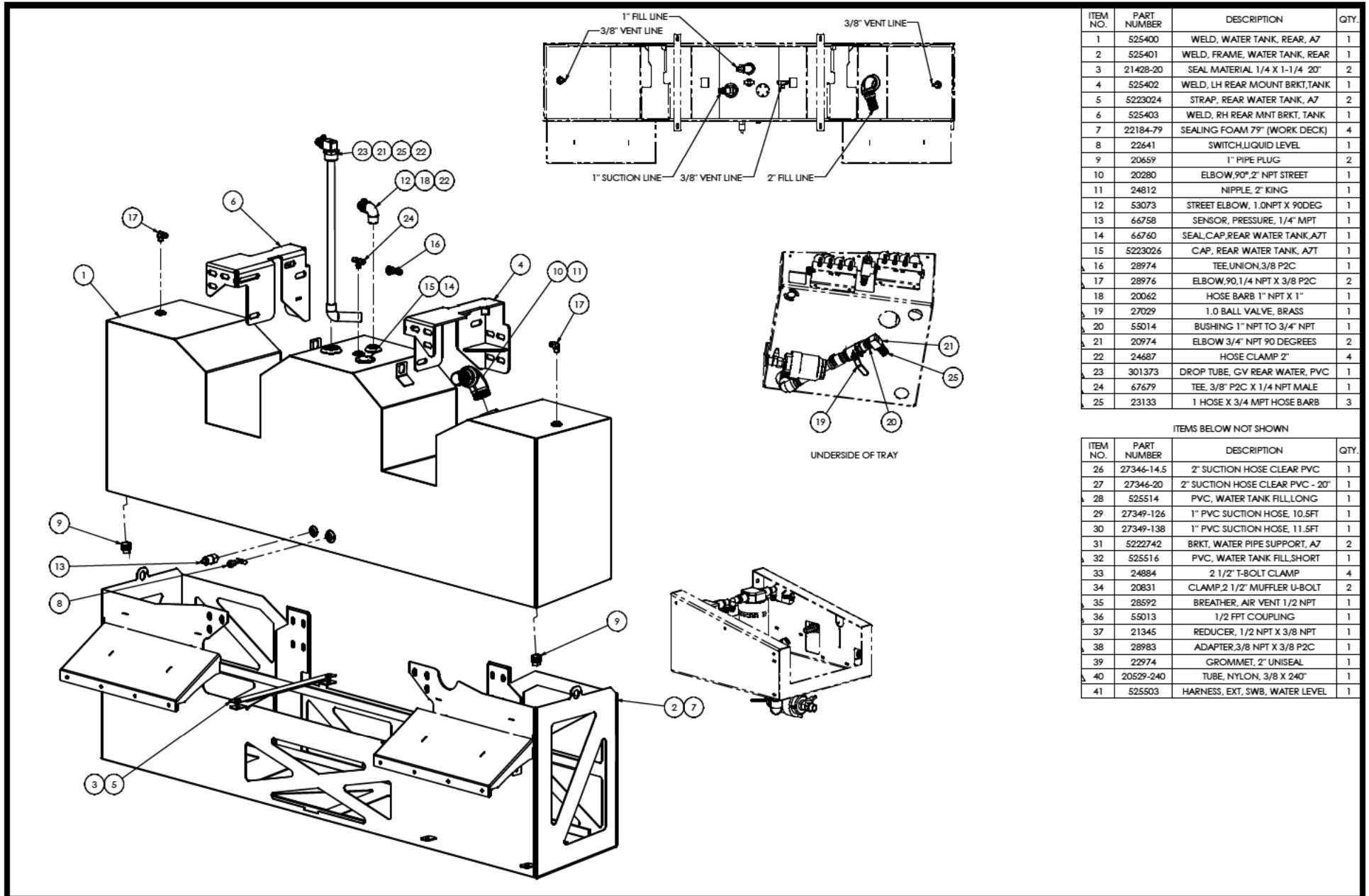
Section 5 - Body

204Q64 - HP WATER SW



Section 5 - Body

204Q63 - REAR WATER TANK



ITEM NO.	PART NUMBER	DESCRIPTION	QTY.
1	525400	WELD, WATER TANK, REAR, A7	1
2	525401	WELD, FRAME, WATER TANK, REAR	1
3	21428-20	SEAL MATERIAL, 1/4 X 1-1/4 20"	2
4	525402	WELD, LH REAR MOUNT BRKT, TANK	1
5	5223024	STRAP, REAR WATER TANK, A7	2
6	525403	WELD, RH REAR MNT BRKT, TANK	1
7	22184-79	SEALING FOAM 79" (WORK DECK)	4
8	22641	SWITCH, LIQUID LEVEL	1
9	20659	1" PIPE PLUG	2
10	20280	ELBOW, 90°, 2" NPT STREET	1
11	24812	NIPPLE, 2" KING	1
12	53073	STREET ELBOW, 1.0NPT X 90DEG	1
13	66758	SENSOR, PRESSURE, 1/4" MPT	1
14	66760	SEAL, CAP, REAR WATER TANK, A7	1
15	5223026	CAP, REAR WATER TANK, A7	1
16	28974	TEE, UNION, 3/8 P2C	1
17	28976	ELBOW, 90, 1/4 NPT X 3/8 P2C	2
18	20062	HOSE BARB 1" NPT X 1"	1
19	27029	1.0 BALL VALVE, BRASS	1
20	55014	BUSHING 1" NPT TO 3/4" NPT	1
21	20974	ELBOW 3/4" NPT 90 DEGREES	2
22	24687	HOSE CLAMP 2"	4
23	301373	DROP TUBE, GV REAR WATER, PVC	1
24	67679	TEE, 3/8" P2C X 1/4 NPT MALE	1
25	23133	1 HOSE X 3/4 MPT HOSE BARB	3

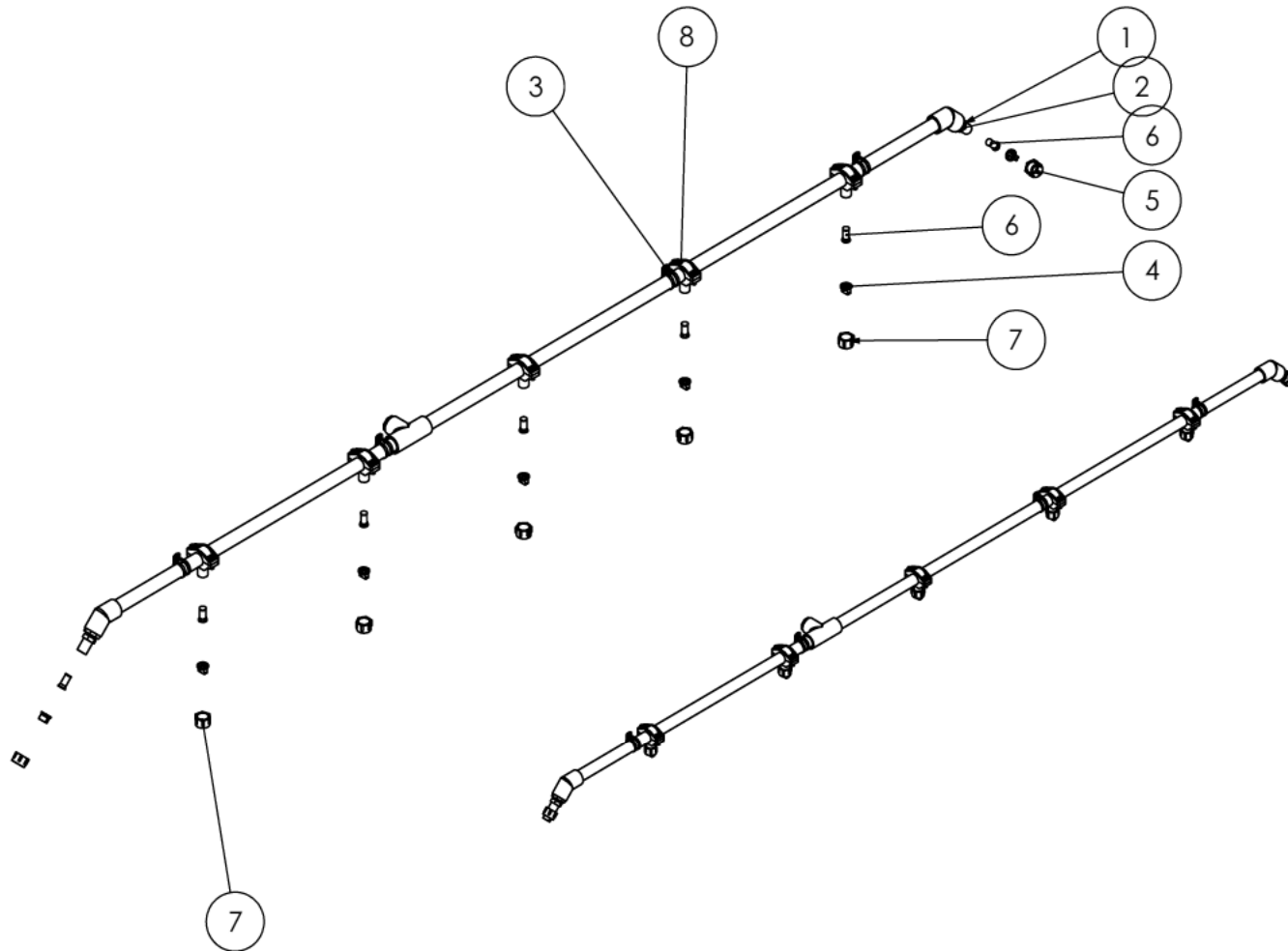
ITEMS BELOW NOT SHOWN

ITEM NO.	PART NUMBER	DESCRIPTION	QTY.
26	27346-14.5	2" SUCTION HOSE CLEAR PVC	1
27	27346-20	2" SUCTION HOSE CLEAR PVC - 20"	1
28	525514	PVC, WATER TANK FILL, LONG	1
29	27349-126	1" PVC SUCTION HOSE, 10.5FT	1
30	27349-138	1" PVC SUCTION HOSE, 11.5FT	1
31	5222742	BRKT, WATER PIPE SUPPORT, A7	2
32	525516	PVC, WATER TANK FILL, SHORT	1
33	24884	2 1/2" T-BOLT CLAMP	4
34	20831	CLAMP, 2 1/2" MUFFLER U-BOLT	2
35	28592	BREATHER, AIR VENT 1/2 NPT	1
36	55013	1/2 FPT COUPLING	1
37	21345	REDUCER, 1/2 NPT X 3/8 NPT	1
38	28983	ADAPTER, 3/8 NPT X 3/8 P2C	1
39	22974	GROMMET, 2" UNISEAL	1
40	20529-240	TUBE, NYLON, 3/8 X 240"	1
41	525503	HARNASS, EXT, SWB, WATER LEVEL	1

Section 5 - Body

203680 - FRONT SPRAY BAR

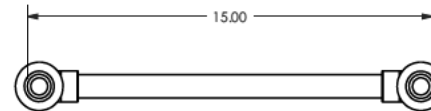
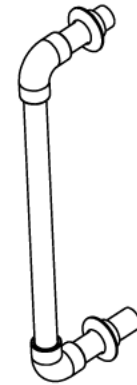
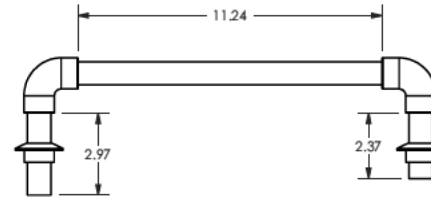
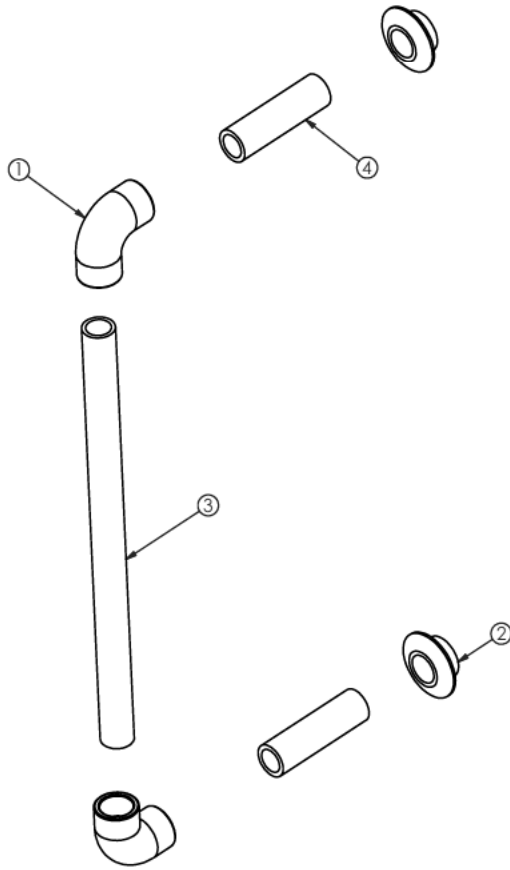
ITEM NO.	PART NUMBER	QTY.	DESCRIPTION
1	521132	1	SPRAY BAR TUBE ASSY 72"
2	20465	2	SPRAY BODY
3	20149	4	CLAMP, .75" RUBBER LINED
4	22542	7	SPRAY TIP YELLOW
5	23949	2	SPRAY TIP RETAINING NUT, PVC
6	27598	7	WATER FILTER 100 MEST
7	20464	5	SPRAY TIP RETAINING NUT, PVC
8	22431	5	SPRAY TIP BODY, PVC



Section 5 - Body

203674 - SIGHT GAUG, WATER TANK, SIDE

ITEM NO.	PART NUMBER	Detail/Qty.	DESCRIPTION
1	23221	2	ELBOW, 90 1/2" SCH 80 PVC
2	22971	2	GROMMET, 1/2" UNISEAL PIPE
3	23195-12.5	1	TUBE,VERT,SIGHT GAUGE
4	23195-3	2	TUBE,HORIZ,SIGHT GAUGE



PROPRIETARY AND CONFIDENTIAL

MISCELLANEOUS

ITEM	DESCRIPTION		
+203C53	AIR HORN, CHASSIS	+204U62	POWER MODULE HOSE KIT
+65093	DUAL STEER IH 4300	+523707	FAN WHEEL
+204F70	SEAT, AIR RIDE HIBACK, DRIVER	+204M04	HYD. RESTRICTION IND. A7T/A8T
+203C55	SEAT, AIR RIDE HIBACK, PASSNGR	+204Q02	HEATER BLOCK, JD T4F
+5214541	STEP BKT PLATE IH	+203064	INDICATOR, AF RSTCT, IN CAB
+5214540	STEP BKT PLATE IH	+203528	HYD FILT GAUGE IND. IN CAB
+204A30	SEAT, AIR RIDE, IH M7	+204T01	BK FLSH HOSE AND FLUIDS
+203461	SEAT, SUSPENSION HIBACK	+203P88	LED ARROWBOARD 30 X 60
+203616	MIRROR, 12" PARABOLIC, SET	+203Z73	STROBE, REAR, DUAL, LED
+203037	TOW HOOK KIT, IH	+203Z71	STROBE, REAR, LED
+203476	TIRE & RIM, SPARE, IH	+203Y67	STROBE, REAR W/GUARD, LED
+203478	RIM, SPARE, IH	+203Z72	STROBE, CAB, COE, LED
+524008	WLD,BKT,FT,LH, R-B, M2-T3	+204B09	MINI LED BARLIGHT, CAB, A-SRS
+524009	WLD, BKT,FT,RH, R-B, M2-T3	+203U22	BARLIGHT, REAR, LED
+523923	WELD, BKT, RH, RUN-BRD, M2	+203V45	FLOOD LIGHT KIT, LED
+523922	WLD,BKT,LH, RUN-BRD, M2-T3	+203E37	150 GAL WATER TANK STRAP
+204H97	SEAT, AIR RIDE, ARM REST M2	+204S08	TRUCK KIT, KENW, A7T A9T, 2018
+203620	RIM, SPARE, STERLING	+204S10	TRUCK KIT, PB A7T A9T, 2018
+203468	TIRE & RIM, SPARE, STERLING	+204R97	INSTALL,ELEC, SIDE BLAST HEAD
+203798	SEAT, AIR RIDE HIBACK, FL70	+203931	HEAD WATER INTAKE KIT
+203B29	SEAT, AIR RIDE, CLOTH	+204L07	POWER MODULE HOSE KIT
+21737	HORN,AIR STERLING CHASSIS	+SK-2387	SOFTWARE, A7T, A8T, A9T
+204P91	MIRROR 8", CONVEX, SET	+204Q17	TRUCK KIT,KENWORTH 370 A7T A9T
+204P54	CAMERA SYSTEM, HD, 4	+204Q18	TRUCK KIT M2 A7T 164 WB T4F
+66504	INSTALL, HOUR METER, PETERBILT	+204H57	DUAL STROBE CAB MNT W/GUARD M2
+203X81	CAMERA SYSTEM, HD, SINGLE	+204B50	STROBE, CONV. CAB, LED
+203X82	CAMERA SYSTEM, HD, DUAL	+204L08	HOPPER LIFT HOSE KIT
+203Z99	CAMERA SYSTEM, HD, 3	+204L09	REAR DOOR HOSE KIT
+203X83	TIRE & RIM, SPARE	+204P65	INST, HOPR, RDD, A7T,T4F,3CR12
+203018	AIR DRYER, BENDIX AD9	+204R41	HOPPER SHAKER, A7 / A9
+203467	GUAGE, TRANSMISSION TEMP	+5219660	SS, DELUGE COVER PLATE
+23826	BACK UP ALARM ASSEMBLY AUTO	+204H60	SS, DRAIN COVER PLATE
+66028	BACK UP ALARM ASSEMBLY Y ECCO	+5208001	SS, HAND HOSE COVER PLATE
+204L10	STANDARD HEAD HOSE KIT	+204J54	PENDANT CONTROL W/ DISCONNECT
		+203956	DUMP DOOR REFLECTOR

MISCELLANEOUS

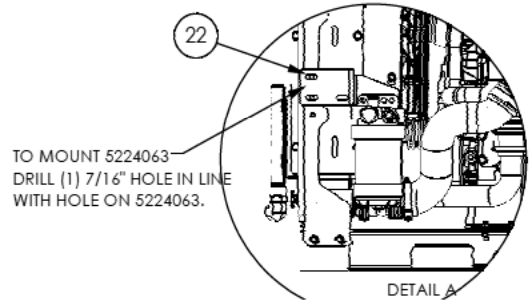
+203N66	SPECIAL PAINT:SWEEPER ONLY A&M	+203G87	AUTOLUBE, VOGEL, A7, SWP ONLY
+203N67	SPECIAL PAINT:CHASSIS ONLY A&M	+203842	AUTOLUBE SYSTEM (VOGEL)
+204F67	STANDARD PAINT: A-SERIES	+203B34	SHIPPING CRATE A7000
+204E41	DECAL KIT, A7 TORNADO	+T-0706	SKID, SHIPPER, A7000
+203689	ADDITIONAL MANUAL, SWEEPER		
+204C46	STD FLUID, A7		
+203B15	A7/A8/A9 DOCKING LIST		
+203U37	A7 DECAL KIT		
+5219621	BKT DRAG ARM LH AUTOCAR		
+525149	RIGHT REAR STEP SUPPORT, M2		
+525150	LEFT REAR STEP SUPPORT, M2		
+525523	WLD,LH REAR STEP SPRT,M2 SHRT		
+525461	WLD,RH REAR STEP SPRT, M2 SHRT		
+204G63	SPACERS G/B DUAL AUTOCAR		
+203C12	G/B,3IN EXT. DUAL,A7,A8,A9		
+204M23	SPACER, RH G/B AUTOCAR		
+204M21	SPACER, RH GUTTERBROOM		
+204M22	SPACER, LH G/B AUTOCAR		
+204M20	SPACER, LH GUTTERBROOM		
+520663	INSTL, 33" GB DISC, A-SERIES		
+524975	INSTL, 36" GB DISC, A-SERIES		
+203S79	BROOM, STEEL 5 SEGMENT		
+203662	GUTTER BROOM, POLY SEGMENT, EA		
+204Q16	TRUCK KIT, PETE A7T A9T		
+204Q15	TRUCK KIT , AUTOCAR A7T		
+204G65	SEAT, AIR RIDE HIBACK, AUTOCAR		
+204Q14	TRUCK KIT, IH, A7T		
+204Q13	TRUCK KIT,M2 A7T,184 WHEELBASE		
+204Q70	AUTOLUBE, SWEEPER, A7/A9		
+204R11	LEAK INSPECTION KIT		
+66595	INSTALL, ALARM, BACK UP, SMART		
+203209	ALARM,BACKUP		
+204N30	INSTALL GREASE FITTINGS 10 PT		
+204L51	REMOTE GREASE FITTINGS		
+204N36	NYDOT A7 SPECIAL KIT		
+203B25	AUTOLUBE FILL KIT		

Power Module

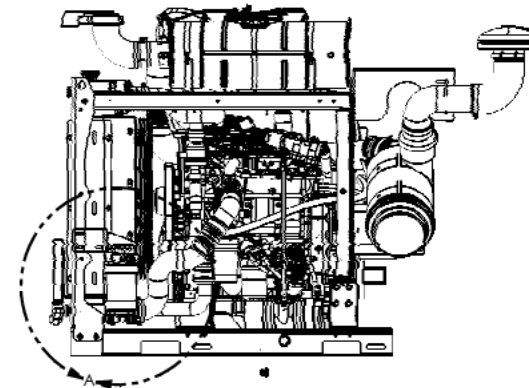
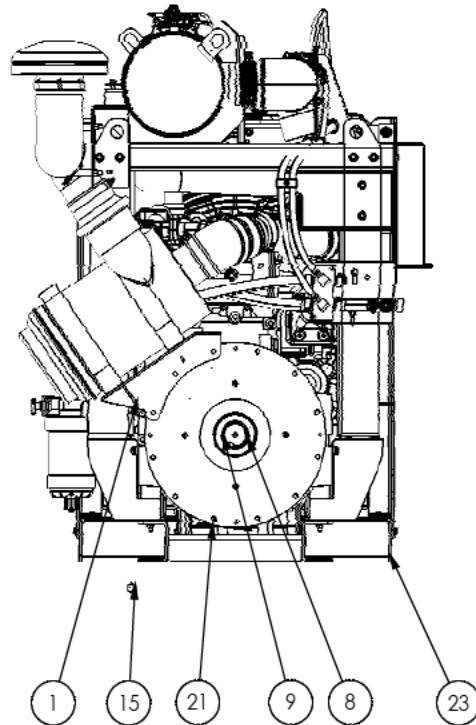
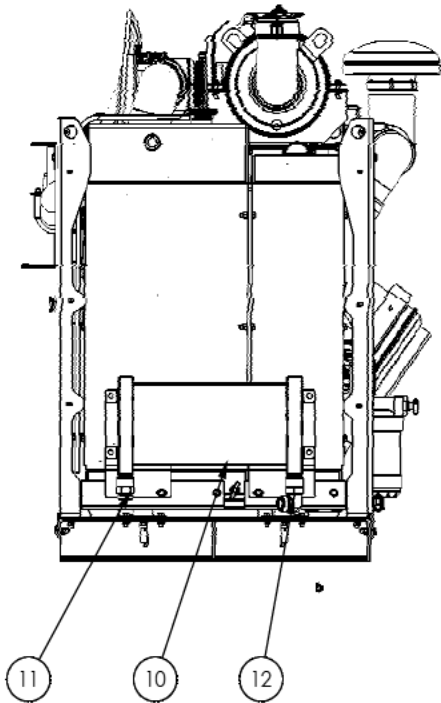
6

Section 6 - Power Module

204U58 - ENGINE 3.8L CUMMINS



MOVE THE WATER/FUEL SEPARATOR ONTO BRACKET 5224063, REMOVE THE PLATE THAT THE SEPARATOR WAS ATTACHED TO.



ITEM NO.	PART NUMBER	DESCRIPTION	QTY.
1	525819	MNT, AIR CLEANER, CUMMINS	1
2	67773	PIPE, AC TO TURBO, CMNS 3.8	1
3	21816	4" X 45 DEGREE RUBBER ELBOW	1
4	67775	PIPE, AC TO PRECLEANER, CMNS	1
5	67774	PIPE, 4" CONNECTOR	1
6	67622	RBR 4"X3" INLINE REDUCER	1
7	5223926	MOUNT, PRE CLEANER	1
8	523730	STUB SHAFT, JD-T3-08	1
9	20096	SKF BEARING 6212 2RS	1
10	20405	HYD OIL COOLER	1
11	61898	ADAPTER, 1" MORFS X 1" MORB	1
12	61052	ELBOW, 90 1" MORFS X 1" MORB	1
13	21815	ELBOW, RUBBER 4.0"	1
14	20357	CLAMP, 4" U-BOLT	1
15	21263	PLUG 1/2" JIC (#8)	1
16	67676	3" X 45 DEGREE RUBBER ELBOW	1
17	60812	3-1/2" T-BOLT CLAMP	3
18	60813	4-1/2" T-BOLT CLAMP	4
19	50633	AIR CLEANER ASSY	1
20	21678	AIR FILTER CLAMP G065411	2
21	523062	FLYWHEEL COVER	1
22	5224063	MNT, WATER SEP, CUMM 3.8	1
23	65528	ENGINE, CUMMINS F3.8 130HP	1

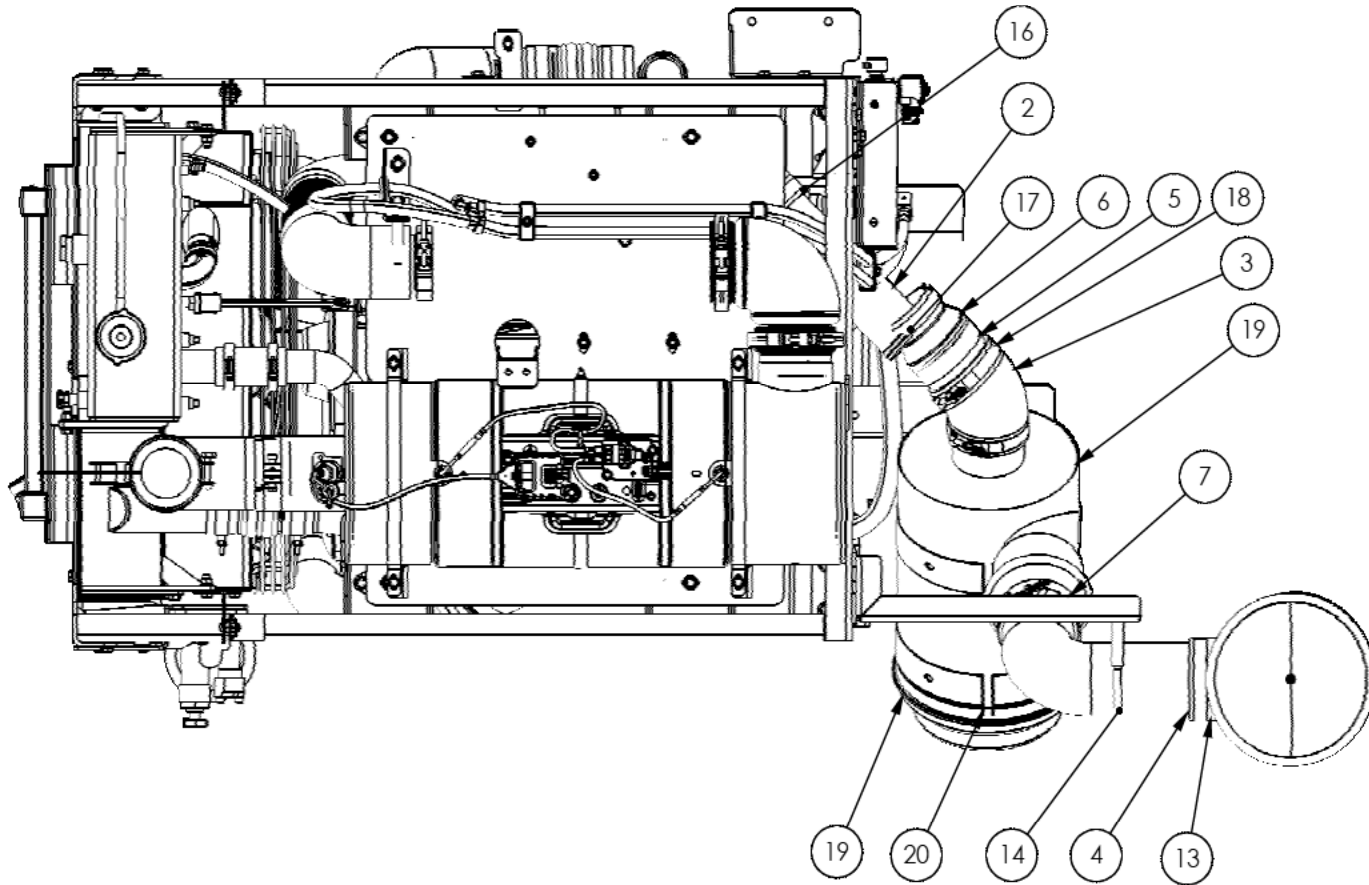


PARTS NOT SHOWN

ITEM NO.	PART NUMBER	DESCRIPTION	QTY.
24	29610	DRAIN HOSE	1

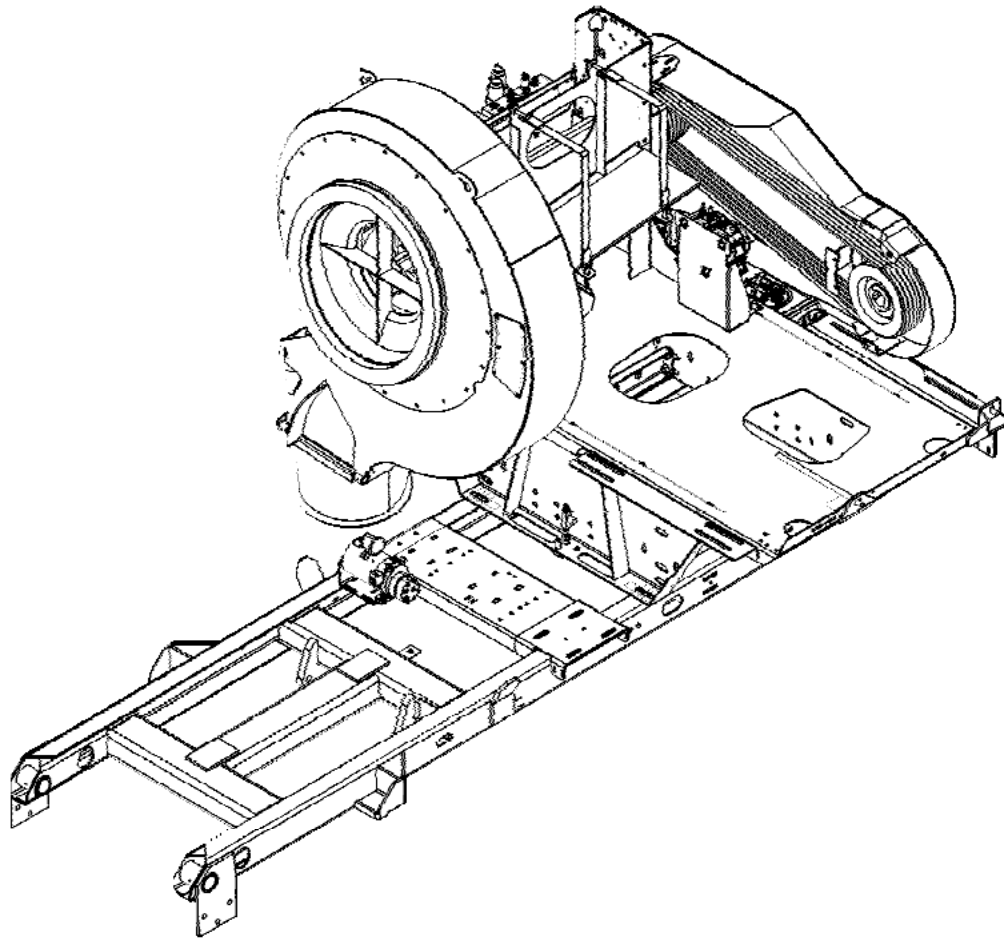
Section 6 - Power Module

204U58 - ENGINE 3.8L CUMMINS



Section 6 - Power Module

204U63 - POWER MODULE, CUMMINS



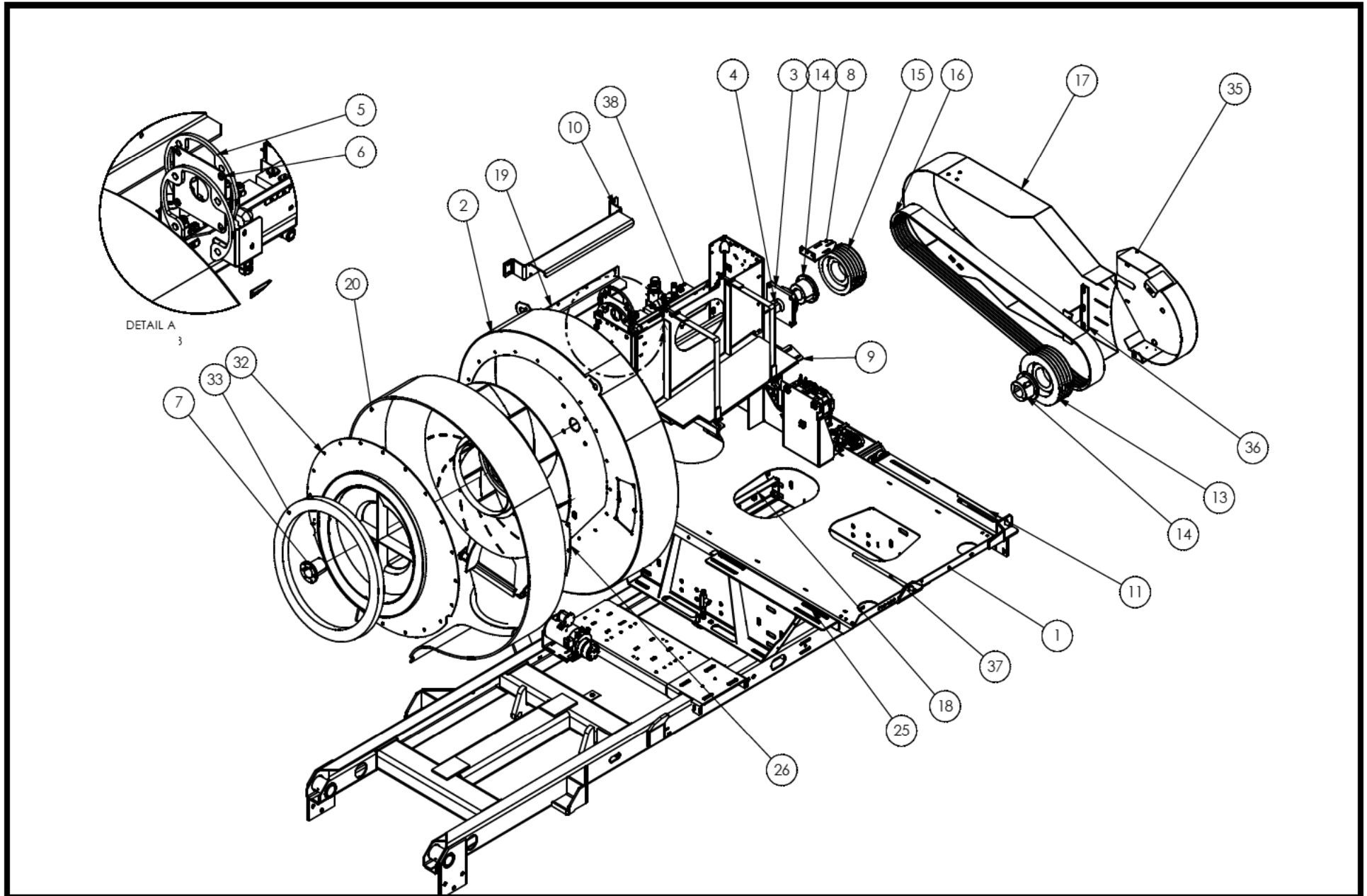
ITEM NO.	PART NUMBER	DESCRIPTION	Default/ QTY.
1	524010	WELD,PWR-MOD,JD-T3-08	1
2	522317	FAN HOUSING A7000 WELDT	1
3	20494	FLANGE BEARING, 2.250"	2
4	3001137	SHAFT, FAN, A7000, JD 140 ENG	1
5	5212667	SNOWFLAKE BRG SPACER PL	2
6	5212668	WEIR, FAN SHAFT BRG	1
7	22842	TAPERED BUSHING, 2.250 Q2	1
8	5217143	ANGLE BKT, TOP, BLT-GRD,08	1
9	5217144	ANGLE BKT, BOT, BLT-GRD, A7-08	1
10	523741	WELD,GUARD,SHAFT,FAN,A7-08	1
11	5207852	JACK SCREW, ENG SKID	1
12	28687	ACTUATOR, 4"	1
13	61209	PULLEY, 5R5V10.3	1
14	20476	TAPERED BUSHING, 2.250 R1	2
15	21304	5R5V85 PULLEY	1
16	20603	BELT, 5/5VX1180 BANDED	1
17	523727	WELD, BLT-GRD, A7, JD-T3-08	1
18	522854	ANCHOR, RAIL, FUEL TANK	2
19	5214747	LEAF,GUARD,SHAFT,FAN,A7-08	1
20	29339	FLAP SET, FAN HOUSING,A7,A8,A9	1
21	28431	CLAMP, TOP 1/2" HARDLINE	1
22	28432	CLAMP, 1/2" TUBE, HALVES, TWIN	2
23	29469	CLAMP HALVES, 3/4"	6
24	29470	CLAMP COVER PLATE, 3/4"	3
25	523717	TENSION ADJUSTMENT WELDMENT	8
26	5219449	PANE,WINDOW, INSP, FAN, A7	1
27	5221617	MOUNT, SENSOR, FAN HOUSING	1
28	65568	ROD END, 1/4-28 /2458K321	1
29	5221583	ROD, SENSOR, FAN HOUSING	1
30	5221584	LEVER, HALL EFFECT SENSOR, FAN	1
31	65794	SENSOR, HALL EFFECT	1
32	523708	COVER PLATE, FAN HSNG, A7/A9	1
33	5206385	SEAL, FAN, A7000 HP	1
34	5221406	BRACKET, CONTROL BOX MOUNT	1
35	525488	ENDCAP,BLT-GRD, A8 CUMMINS	1
36	525489	WLDMNT, STNDOFF, BLT-GRD, A8 C	1
37	5223924	ADJUSTER, 5/8-11 X 16	1
38	204L04	HYDRAULICS, STANDARD A7	1

ITEMS NOT SHOWN

ITEM NO.	PART NUMBER	DESCRIPTION	Default/ QTY.
39	25092	CLAMP, 2" COATED	1
40	23402	GROMMET,1.5" I.D. X 2.125" O.D.	1
41	204U62	KIT, HOSE PWR MOD CMNS	1

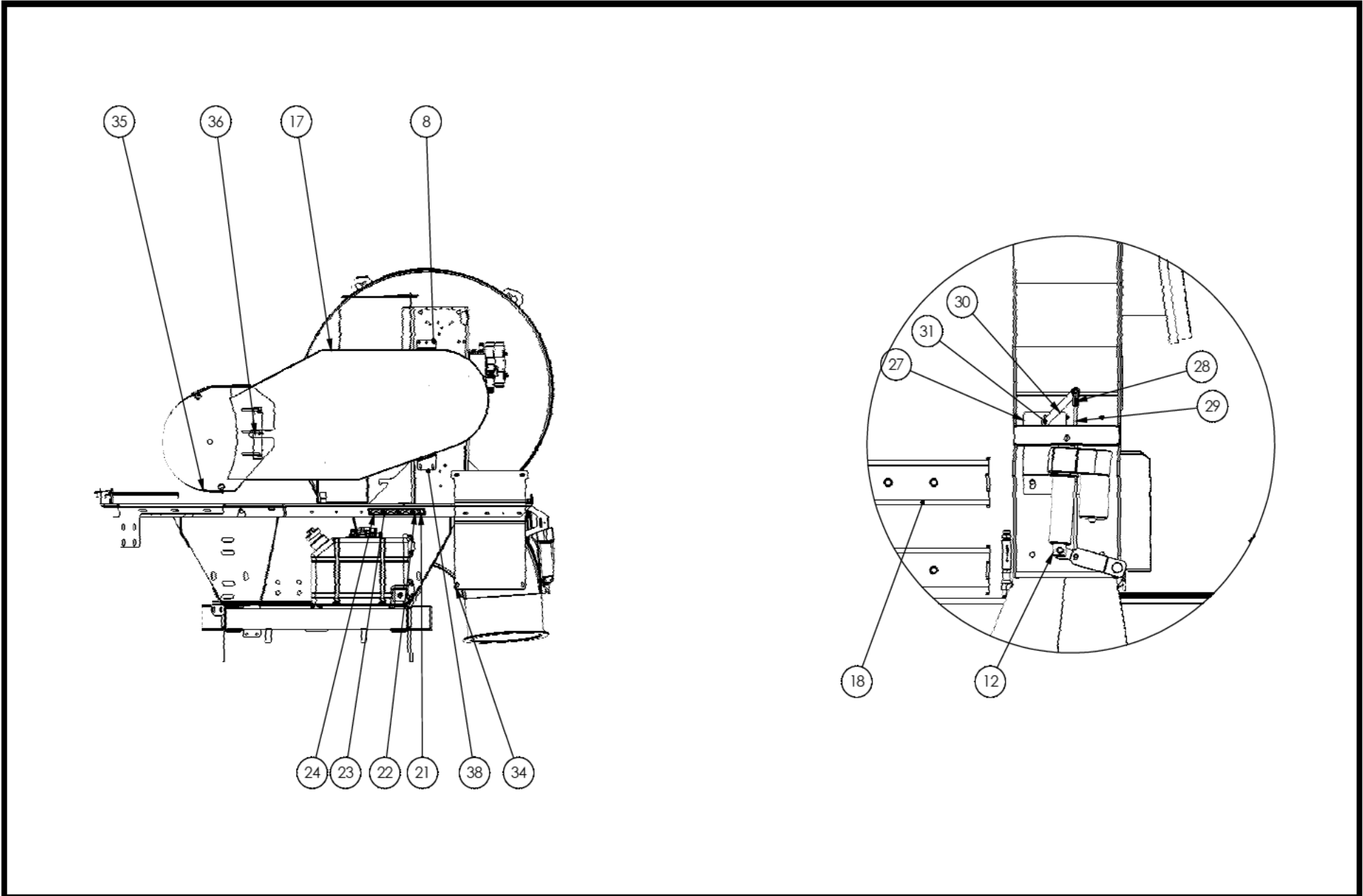
Section 6 - Power Module

204U63 - POWER MODULE, CUMMINS



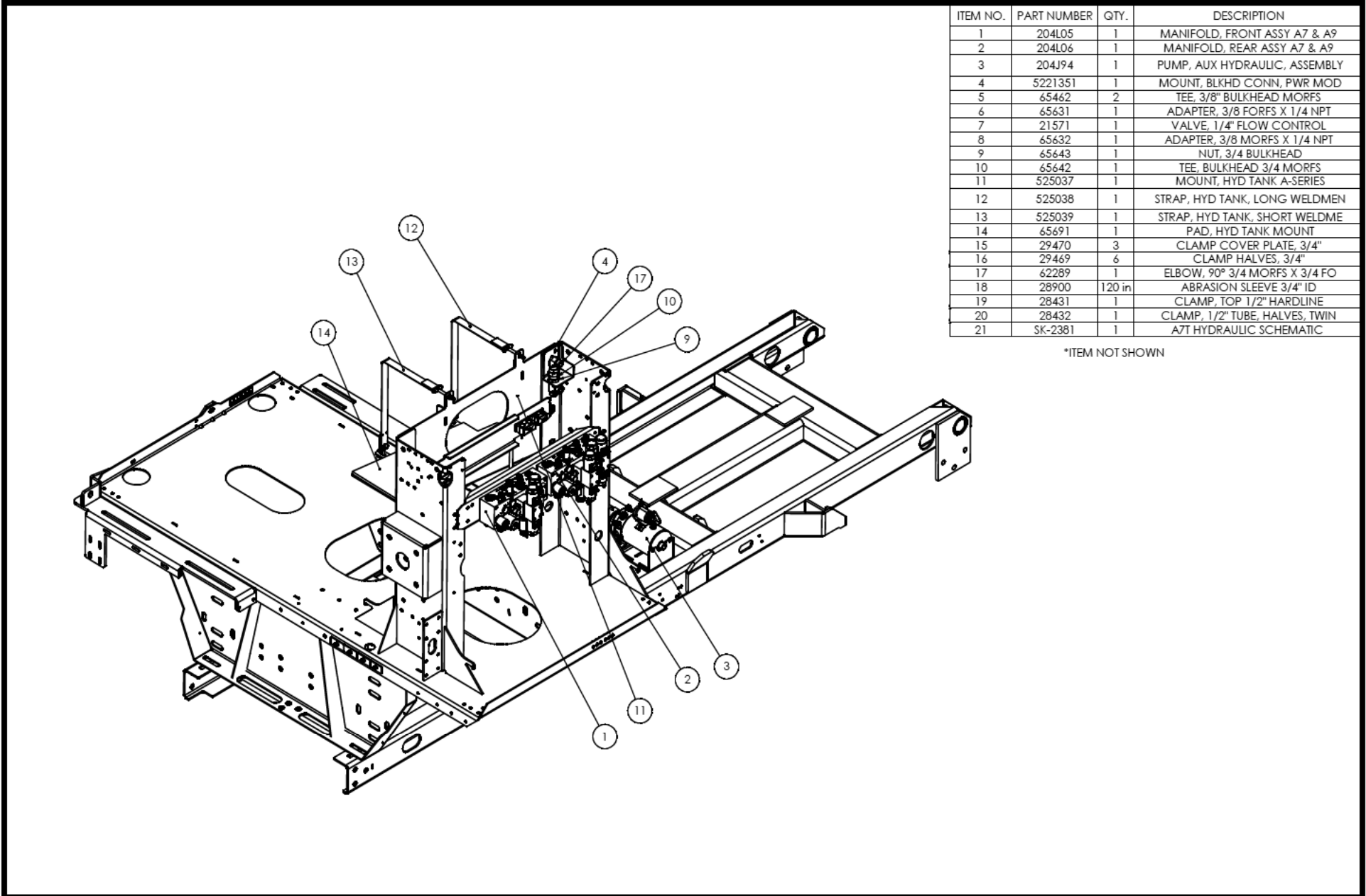
Section 6 - Power Module

204U63 - POWER MODULE, CUMMINS



Section 6 - Power Module

204L04 - HYDRAULICS STANDARD

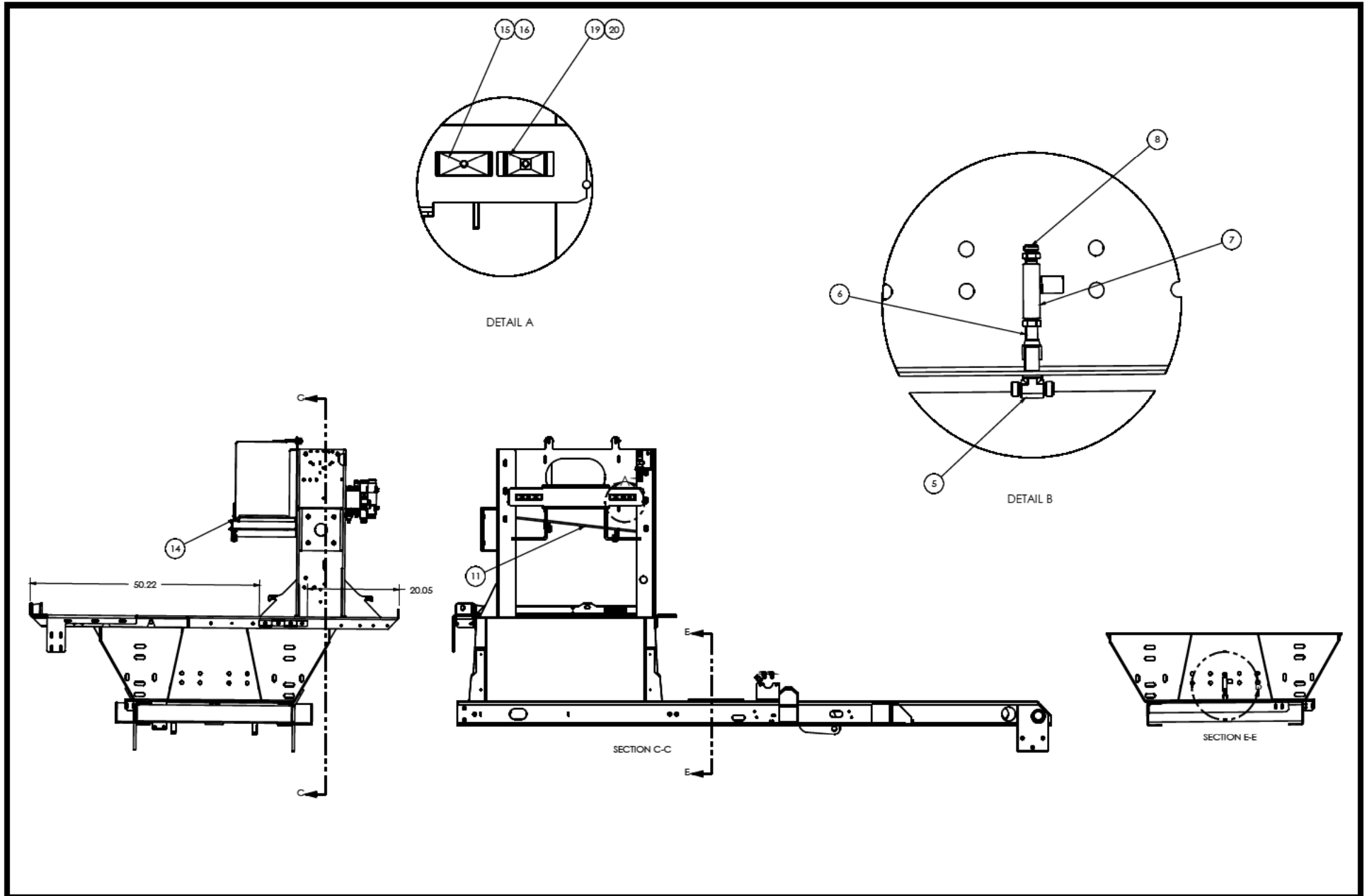


ITEM NO.	PART NUMBER	QTY.	DESCRIPTION
1	204L05	1	MANIFOLD, FRONT ASSY A7 & A9
2	204L06	1	MANIFOLD, REAR ASSY A7 & A9
3	204J94	1	PUMP, AUX HYDRAULIC, ASSEMBLY
4	5221351	1	MOUNT, BLKHD CONN, PWR MOD
5	65462	2	TEE, 3/8" BULKHEAD MORFS
6	65631	1	ADAPTER, 3/8 FORFS X 1/4 NPT
7	21571	1	VALVE, 1/4" FLOW CONTROL
8	65632	1	ADAPTER, 3/8 MORFS X 1/4 NPT
9	65643	1	NUT, 3/4 BULKHEAD
10	65642	1	TEE, BULKHEAD 3/4 MORFS
11	525037	1	MOUNT, HYD TANK A-SERIES
12	525038	1	STRAP, HYD TANK, LONG WELDMEN
13	525039	1	STRAP, HYD TANK, SHORT WELDME
14	65691	1	PAD, HYD TANK MOUNT
15	29470	3	CLAMP COVER PLATE, 3/4"
16	29469	6	CLAMP HALVES, 3/4"
17	62289	1	ELBOW, 90° 3/4 MORFS X 3/4 FO
18	28900	120 in	ABRASION SLEEVE 3/4" ID
19	28431	1	CLAMP, TOP 1/2" HARDLINE
20	28432	1	CLAMP, 1/2" TUBE, HALVES, TWIN
21	SK-2381	1	A7T HYDRAULIC SCHEMATIC

*ITEM NOT SHOWN

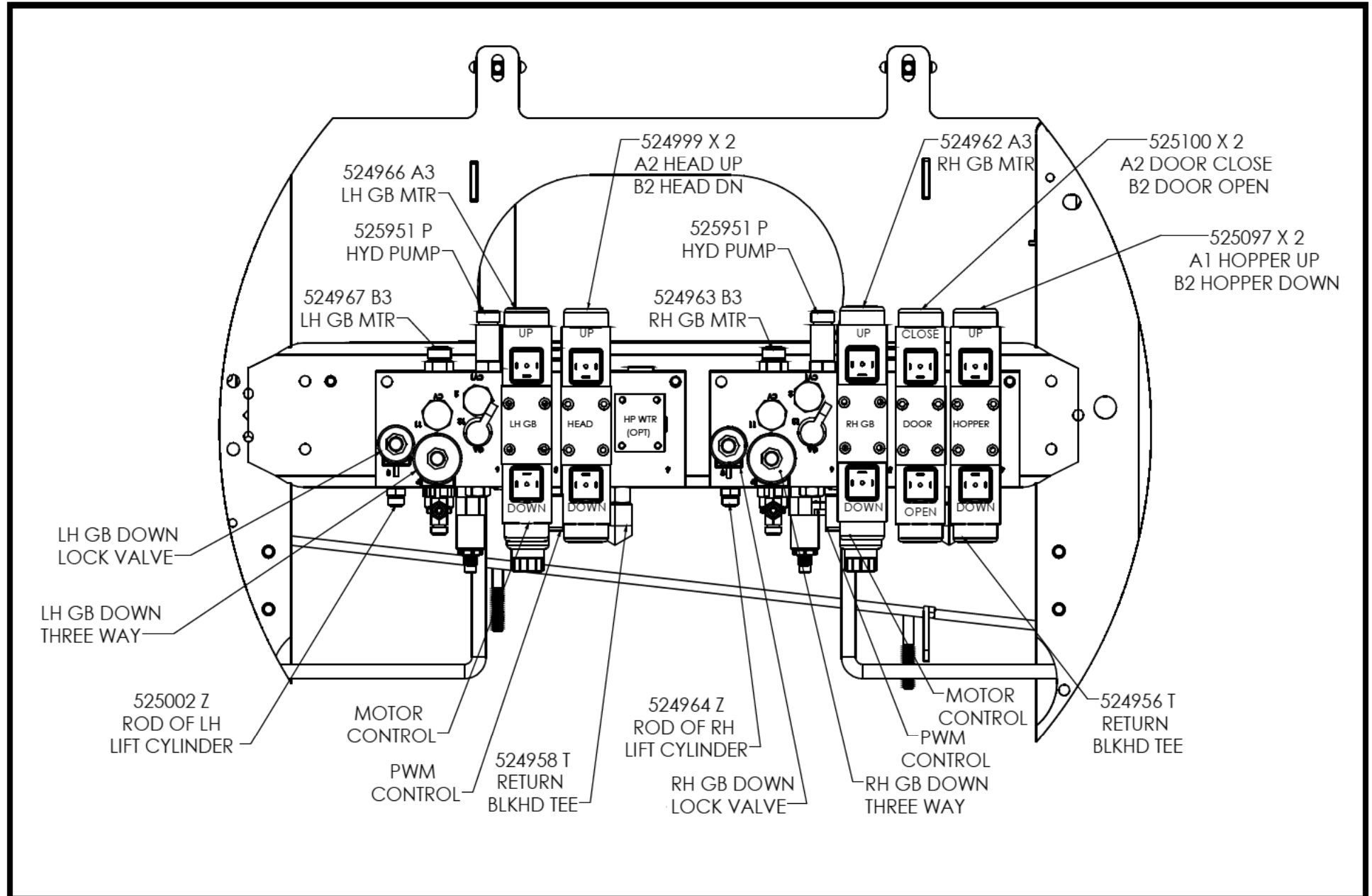
Section 6 - Power Module

204L04 - HYDRAULICS STANDARD



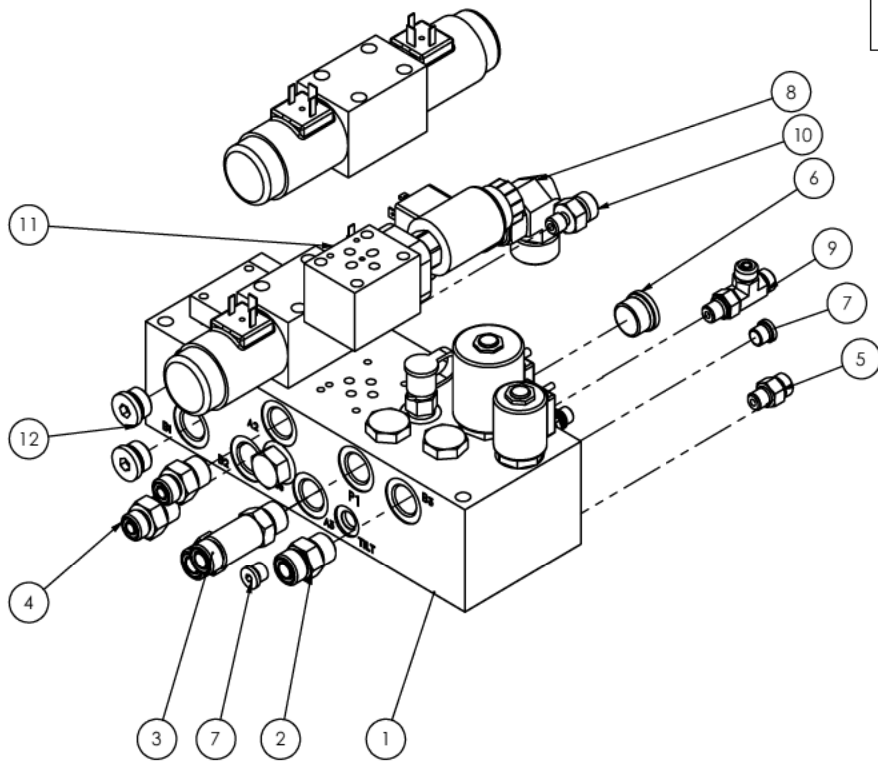
Section 6 - Power Module

204L04 - HYDRAULICS STANDARD

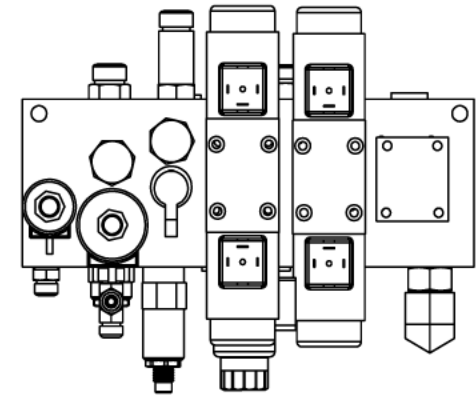


Section 6 - Power Module

204L05 - MANIFOLD, FRONT

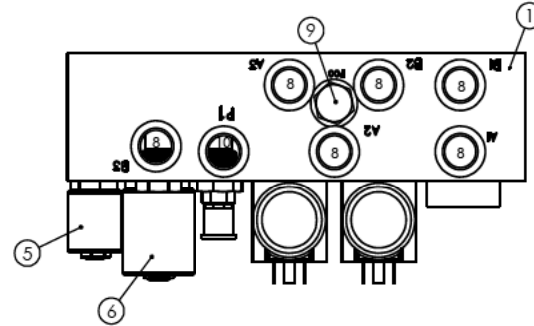
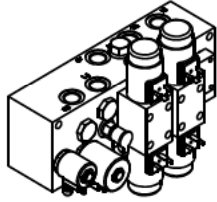


ITEM NO.	PART NUMBER	DESCRIPTION	QTY.
1	60090	DO2 MANF W/G/B CIR.	1
2	61014	1/2" MORFS X 1/2" MORB	2
3	61013	1/2" MORFS X 1/2" MORB LONG	1
4	61043	3/8" MORFS X 1/2" MORB	2
5	61030	1/4" MORFS X 1/4" MORB	1
6	27180	#10 SAE HEX HEAD PLUG	2
7	23981	#4 SAE HEX HEAD PLUG	2
8	62110	ELBOW, 5/8" MORB X 3/4" MORFS 90	1
9	61034	RUN TEE, 1/4" MORFS X MORFS X MORB	1
10	61373	ADAPTER, 3/8 MORFS X 1/4 MORB	1
11	65763	VALVE, VAR SPEED GB ASSY	1
12	24111	PLUG, 1/2" SAE HOLLOW HEX	2
13	WI-UTL-011	WORK INSTRUCTION FOR FLOW CONTROL VALVE ASSY FOR G/B	1

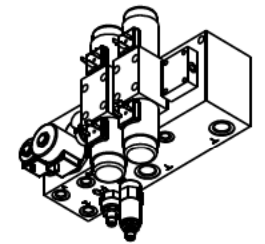
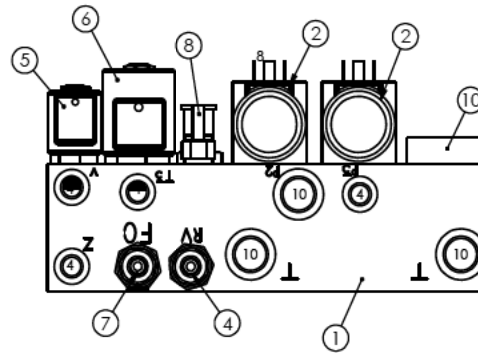
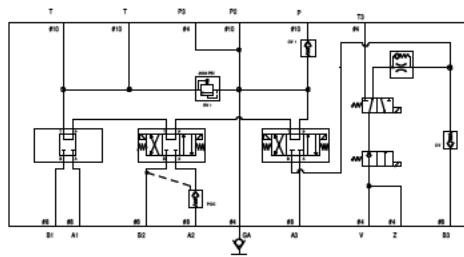
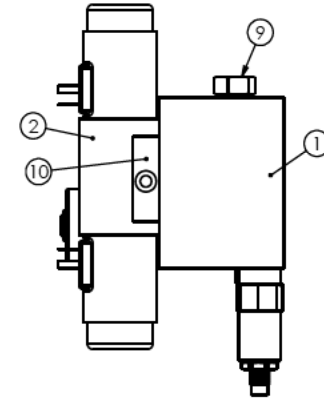
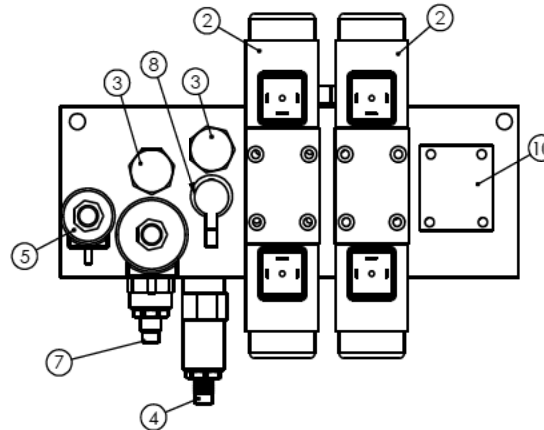
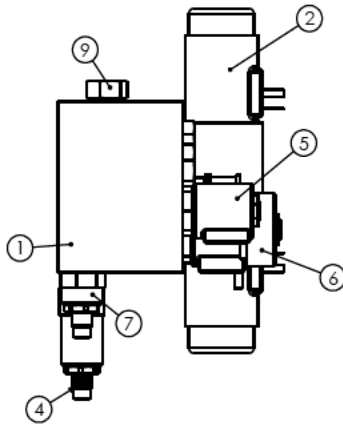


Section 6 - Power Module

60090 - MANIFOLD DO2 W/G/B CIR.



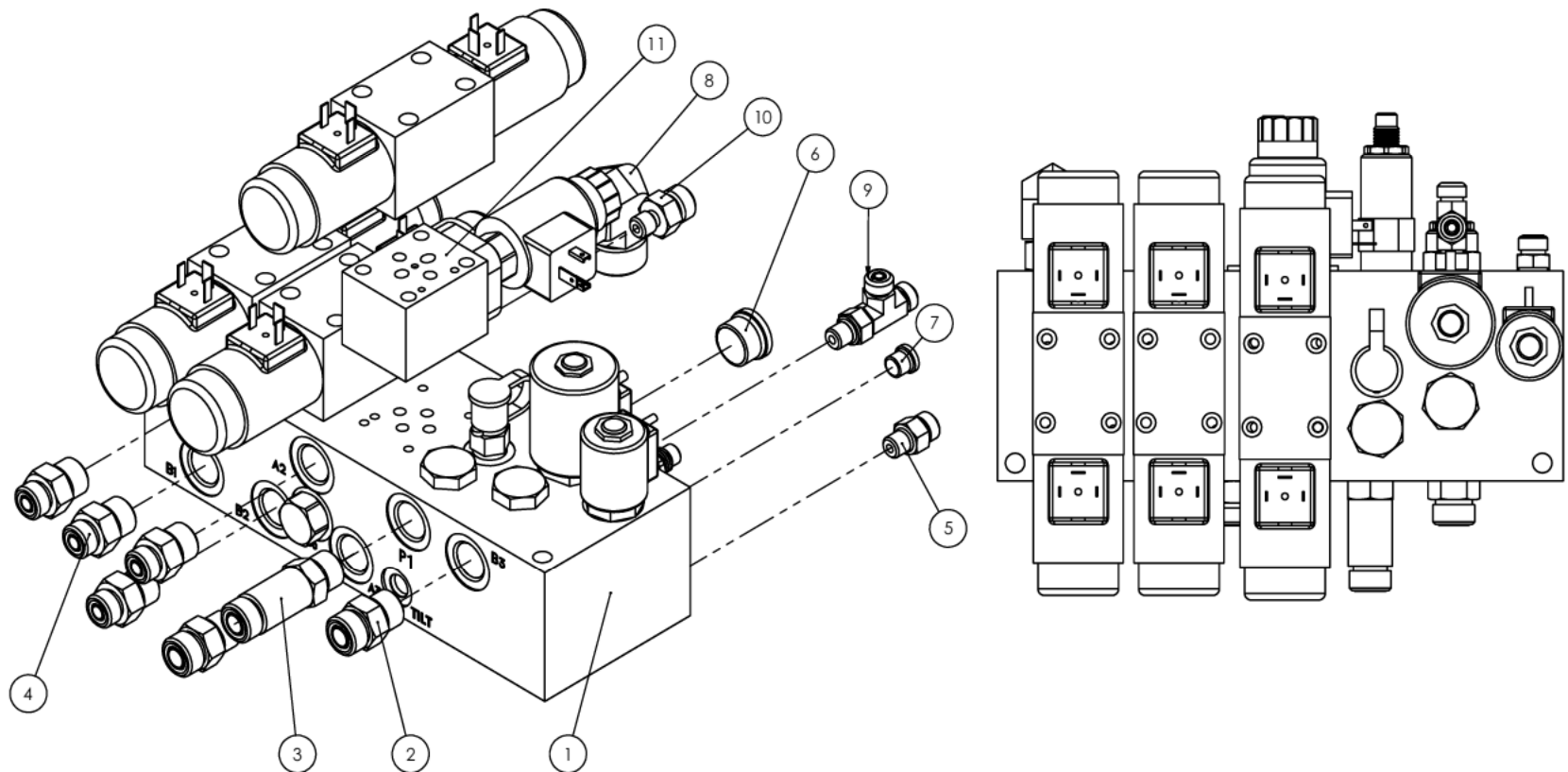
ITEM NO.	PART NUMBER	QTY.	DESCRIPTION
1	60774	1	DO3 MANIF W/G-B CIRCUIT, MANIF-ONLY
2	22040	2	DO3 VALVE, 4WE6G6X/EG12N9K4
3	23962	2	VALVE, CV-10-20-O-N-30
4	23924	1	VALVE, RV10-22-A-0-N-35/25
5	20376	1	VALVE, SV08-22-N-12DB
6	23964	1	VALVE, SV10-34-N-12DB
7	23963	1	VALVE, FC10-20A-O-N
8	23653	1	TEST NIPPLE, #4 SAE ORB
9	60773	1	PO CHECK CART "CKCB-XCN
10	22042	1	PLATE PORT COVER



Section 6 - Power Module

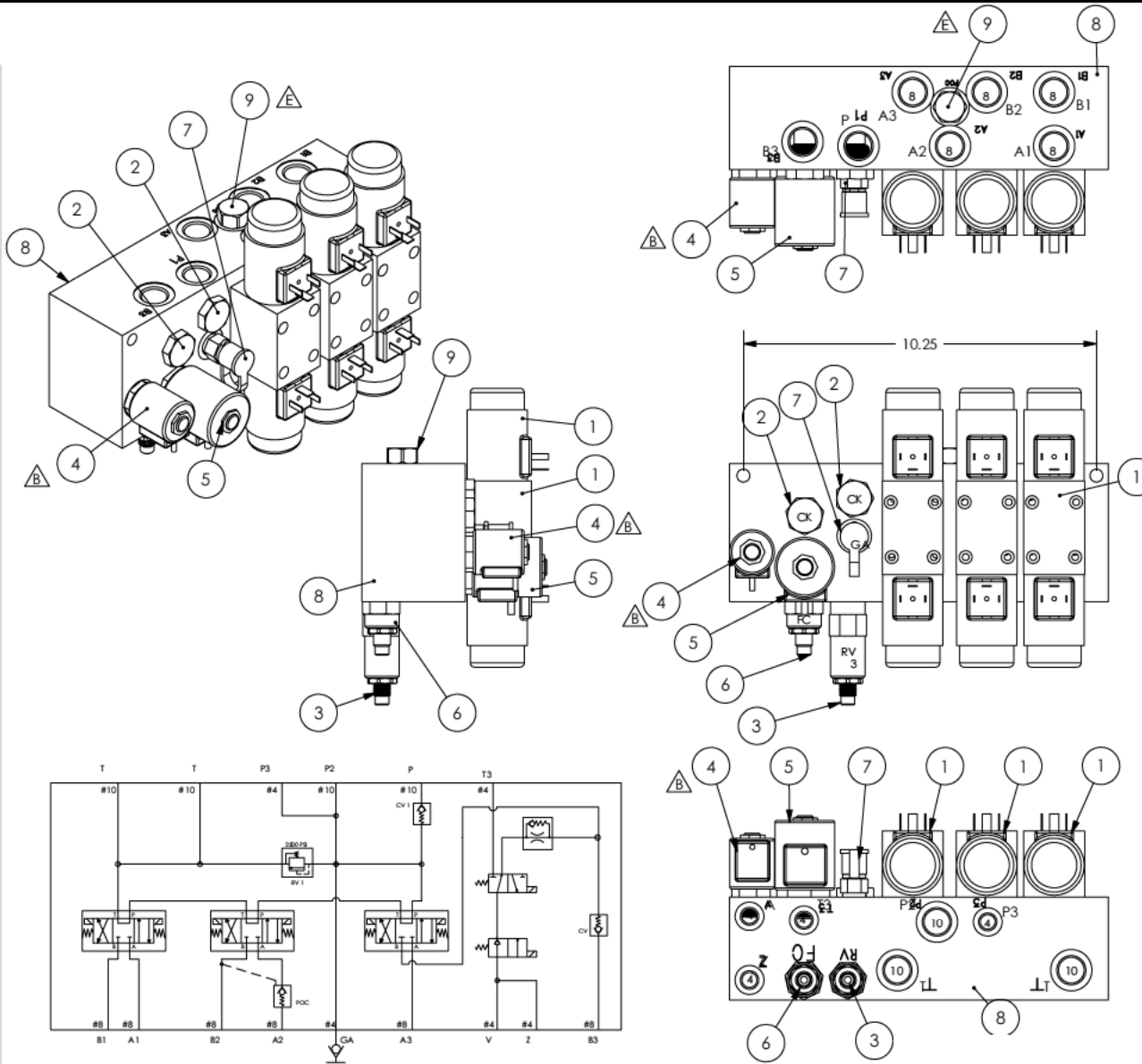
204L06 - MANIFOLD REAR

ITEM NO.	PART NUMBER	QTY.	DESCRIPTION
1	60089	1	DO2 MANF W/G/B CIR.
2	61014	2	1/2" MORFS X 1/2" MORB
3	61013	1	1/2" MORFS X 1/2" MORB LONG
4	61043	4	3/8" MORFS X 1/2" MORB
5	61030	1	1/4" MORFS X 1/4" MORB
6	27180	2	# 10 SAE HEX HEAD PLUG
7	23981	1	# 4 SAE HEX HEAD PLUG
8	62110	1	ELBOW, 5/8" MORB X 3/4" MORFS 90
9	61034	1	RUN TEE, 1/4" MORFSX MORFSXMORB
10	61373	1	ADAPTER, 3/8 MORFS X 1/4 MORB
11	65763	1	VALVE, VAR SPEED GB ASSY
12	WI-UTL-011	1	WORK INSTRUCTION FOR FLOW CONTROL VALVE ASSY FOR G/B



Section 6 - Power Module

60089 - MANIFOLD, DO2 W/G/B CIR.



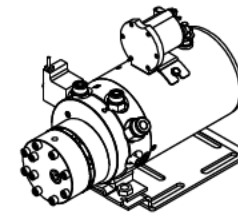
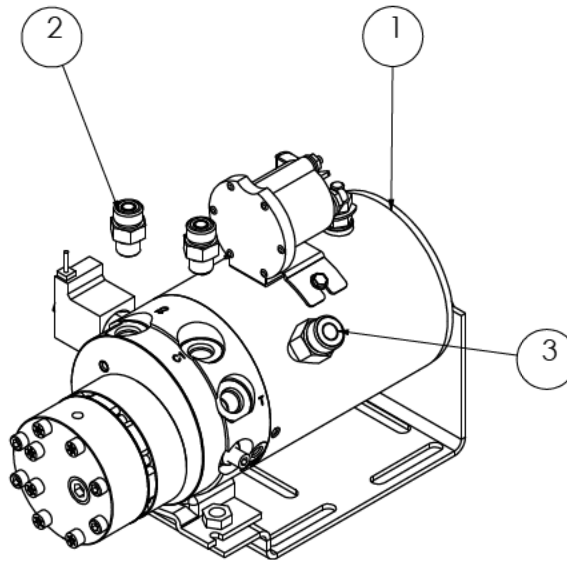
ITEM NO.	PART NUMBER	DESCRIPTION	QTY.
1	61978	DO3 VALVE, 4WE6G6X/EG12N9K4	3
2	23962	VALVE, CV-10-20-O-N-30	2
3	23924	VALVE, RV10-22-A-0-N-35/25	1
4	23965	VALVE, SV08-22-N-12DB	1
5	23964	VALVE, SV10-34-N-12DB	1
6	23963	VALVE, FC10-20A-O-N	1
7	23653	TEST NIPPLE, #4 SAE ORB	1
8	60774	DO3 MANIF W/G-B CIRCUIT, MANIF-ONLY	1
9	62058	PO CHECK, CKCB-XCN	1

REFERENCE: HPS # D8832 OR EQUAL

Section 6 - Power Module

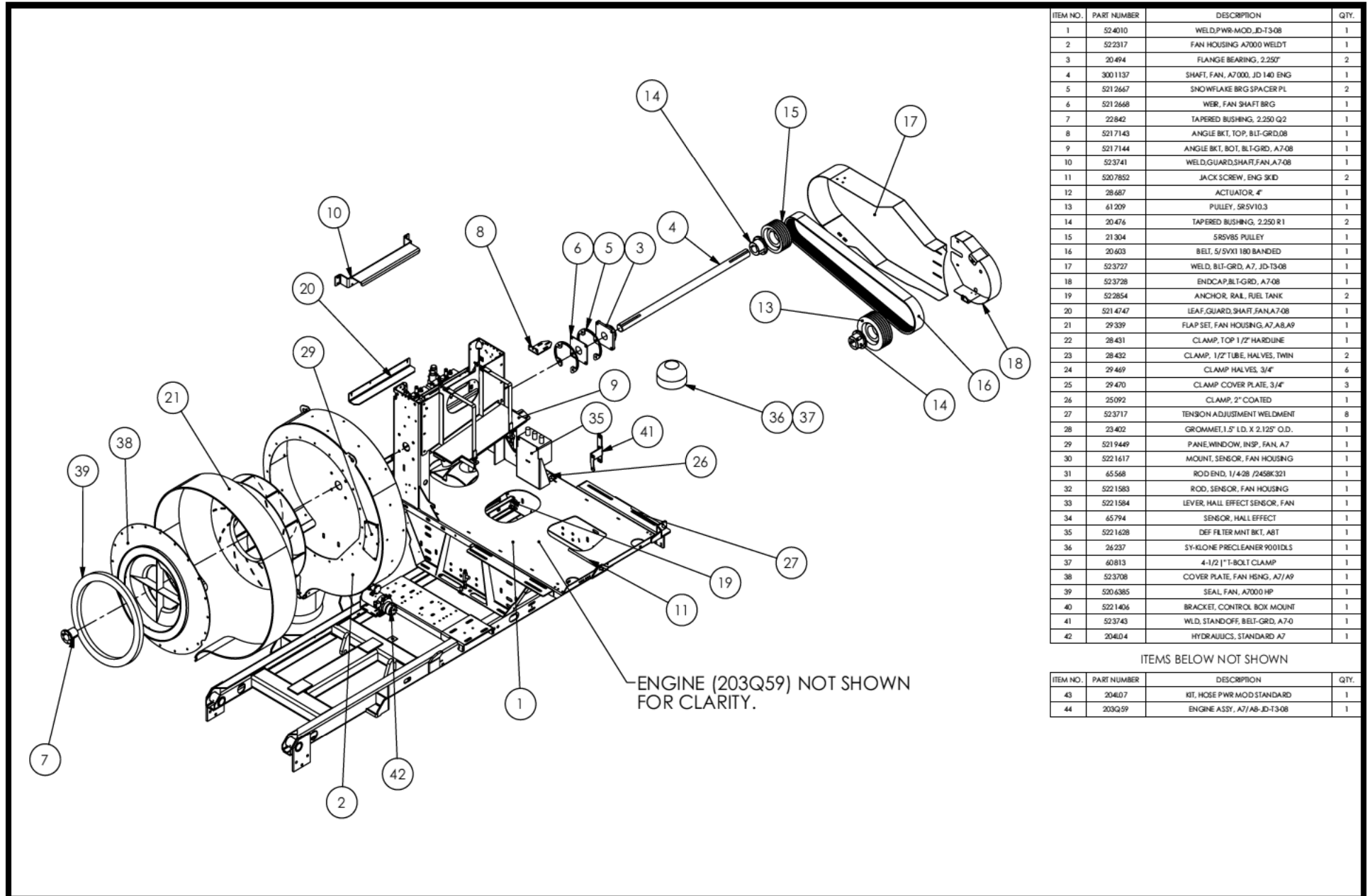
204J94 - HYDRAULIC PUMP

ITEM NO.	PART NUMBER	DESCRIPTION	QTY.
1	24089	12V DC HYD PUMP	1
2	61019	3/8" MORFS X 3/8" MORB	2
3	61374	ADAPTER, 1/2" MORFS X 3/8" MOR	1



Section 6 - Power Module

204T16 - POWER MODULE T3 JD115



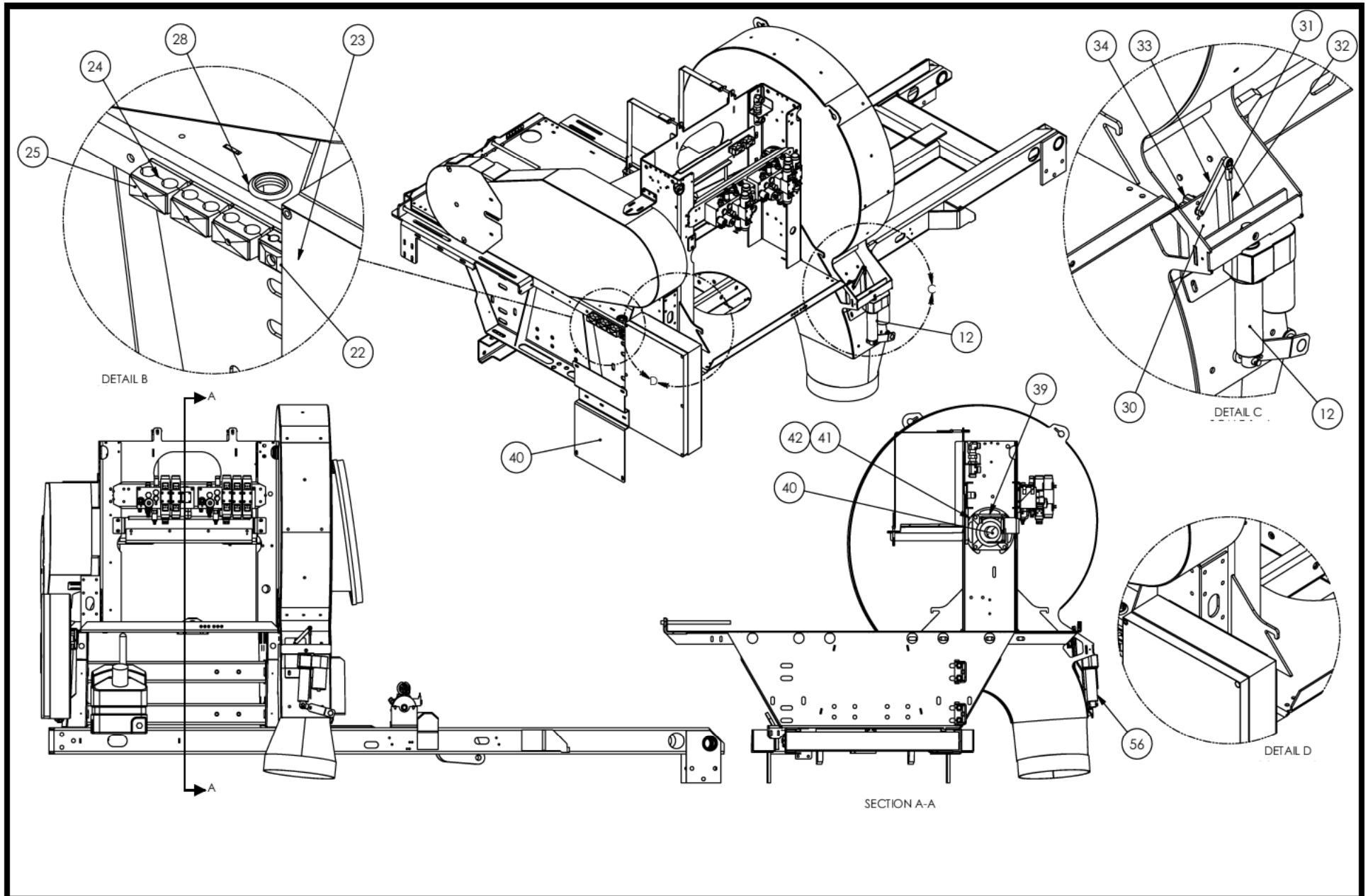
ITEM NO.	PART NUMBER	DESCRIPTION	QTY.
1	524010	WELD.PWR-MOD-JD-T3-08	1
2	522317	FAN HOUSING A7000 WELDT	1
3	20494	FLANGE BEARING, 2.250"	2
4	3001137	SHAFT, FAN, A7000, JD 140 ENG	1
5	5212667	SNOWFLAKE BRG SPACER PL	2
6	5212668	WER, FAN SHAFT BRG	1
7	22842	TAPERED BUSHING, 2.250 Q2	1
8	5217143	ANGLE BKT, TOP, BLT-GRD,08	1
9	5217144	ANGLE BKT, BOT, BLT-GRD, A7-08	1
10	523741	WELD, GUARD, SHAFT, FAN, A7-08	1
11	5207852	JACK SCREW, ENG SKID	2
12	28487	ACTUATOR, 4"	1
13	41209	PULLEY, SR5V10.3	1
14	20476	TAPERED BUSHING, 2.250 R1	2
15	21304	SR5V8S PULLEY	1
16	20403	BELT, 5/8X1180 BANDED	1
17	523727	WELD, BLT-GRD, A7, JD-T3-08	1
18	523728	ENDCAP, BLT-GRD, A7-08	1
19	522854	ANCHOR, RAIL, FUEL TANK	2
20	5214747	LEAF, GUARD, SHAFT, FAN, A7-08	1
21	29339	FLAP SET, FAN HOUSING, A7, A8, A9	1
22	28431	CLAMP, TOP 1/2" HARDLINE	1
23	28432	CLAMP, 1/2" TUBE, HALVES, TWIN	2
24	29469	CLAMP HALVES, 3/4"	6
25	29470	CLAMP COVER PLATE, 3/4"	3
26	25092	CLAMP, 2" COATED	1
27	523717	TENSION ADJUSTMENT WELDMENT	8
28	23402	GROMMET, 1.5" I.D. X 2.125" O.D.	1
29	5219449	PANE, WINDOW, INSP, FAN, A7	1
30	5221617	MOUNT, SENSOR, FAN HOUSING	1
31	65568	ROD END, 1/4-28 /2458K321	1
32	5221583	ROD, SENSOR, FAN HOUSING	1
33	5221584	LEVER, HALL EFFECT SENSOR, FAN	1
34	65794	SENSOR, HALL EFFECT	1
35	5221628	DEF FILTER MNT BKT, A8T	1
36	26237	SY-KLONE PRECLEANER 9001DKS	1
37	40813	4-1/2" T-BOLT CLAMP	1
38	523708	COVER PLATE, FAN HSG, A7/A9	1
39	5204385	SEAL, FAN, A7000 HP	1
40	5221406	BRACKET, CONTROL BOX MOUNT	1
41	523743	WLD, STANDOFF, BELT-GRD, A7-0	1
42	20404	HYDRAULICS, STANDARD A7	1

ITEMS BELOW NOT SHOWN

ITEM NO.	PART NUMBER	DESCRIPTION	QTY.
43	20407	KIT, HOSE PWR MOD STANDARD	1
44	203Q59	ENGINE ASSY, A7/A8-JD-T3-08	1

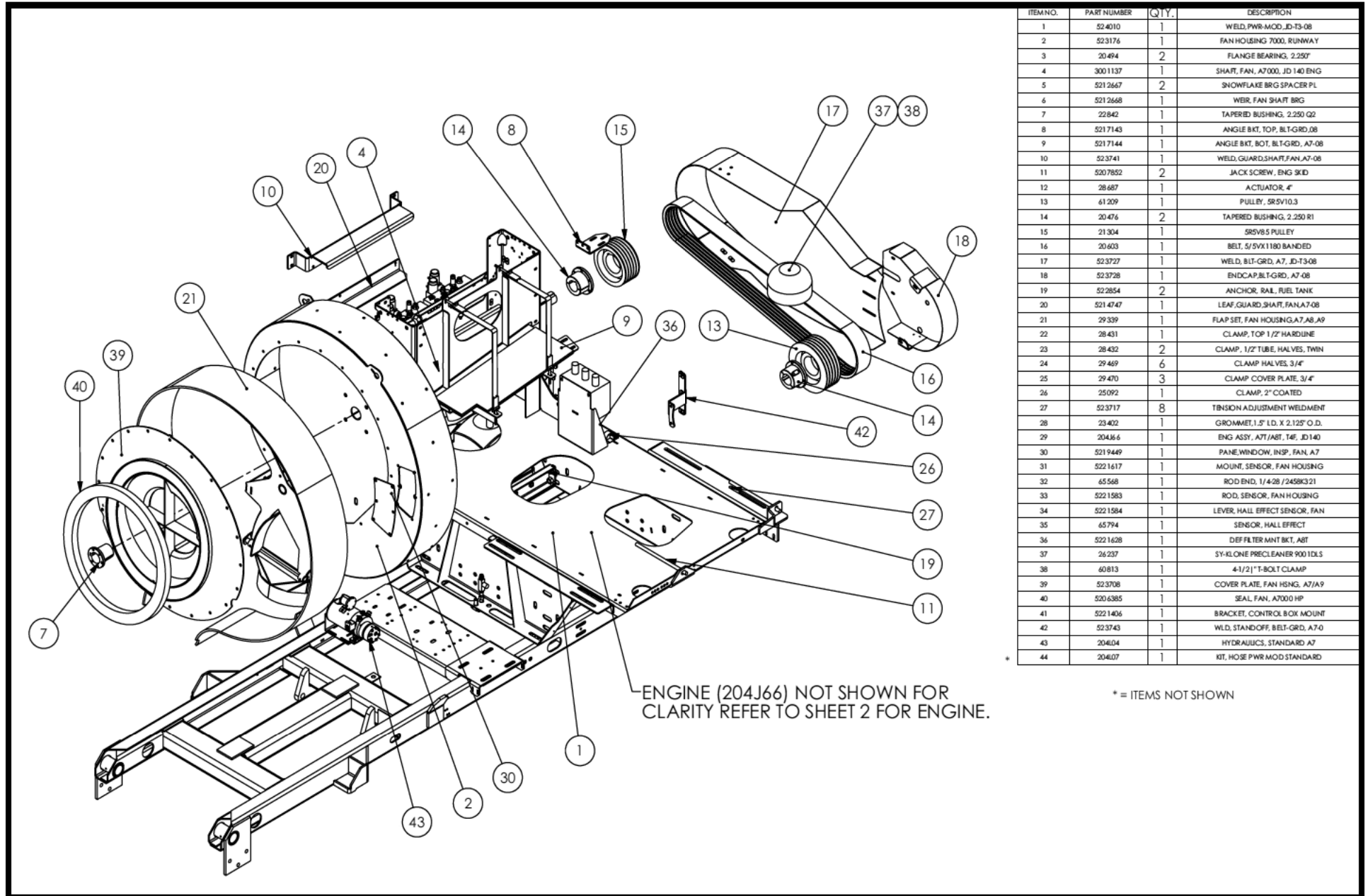
Section 6 - Power Module

204T16 - POWER MODULE T3 JD115



Section 6 - Power Module

204R35 - POWER MODULE JD134

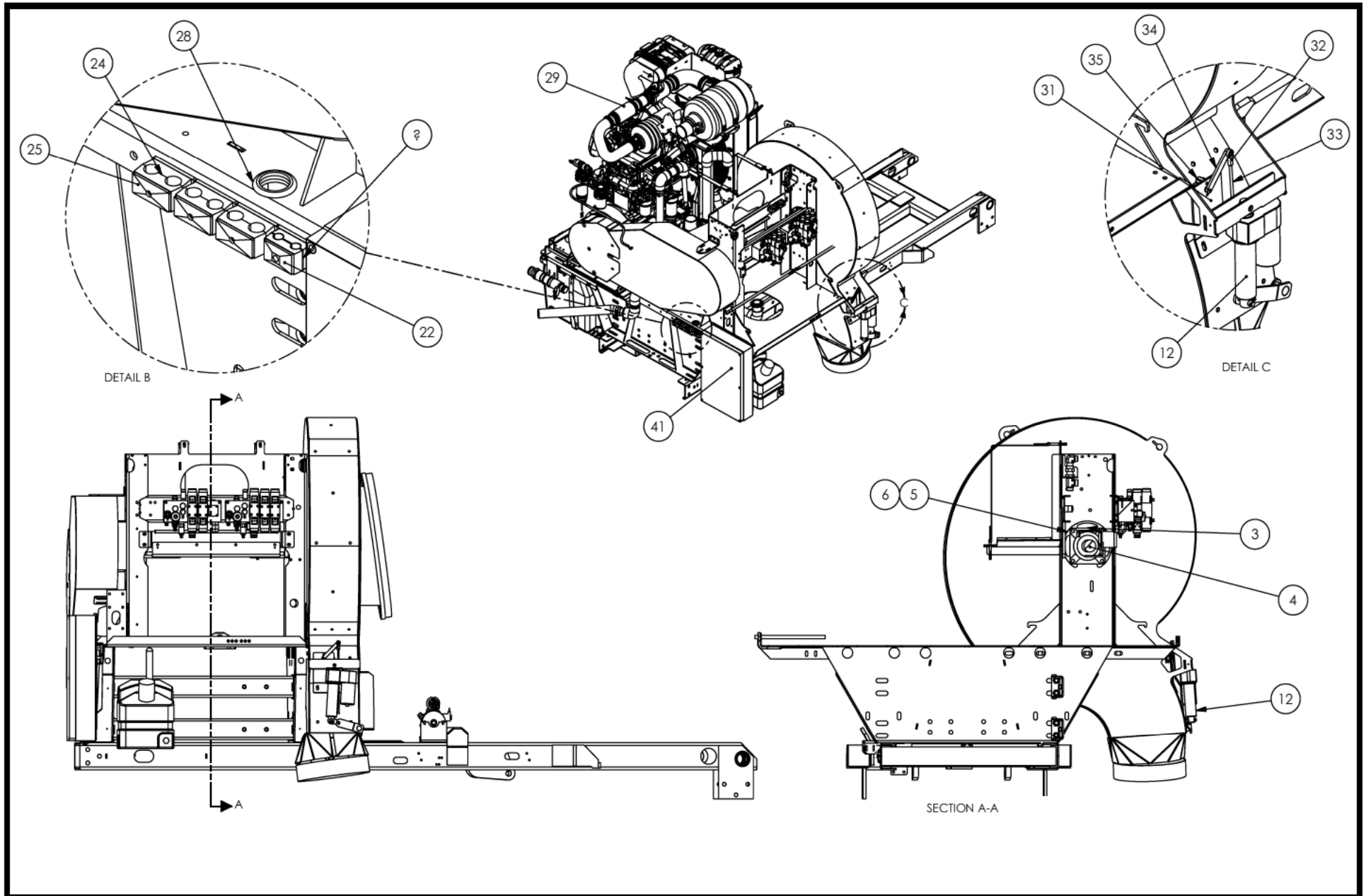


ITEM NO.	PART NUMBER	QTY.	DESCRIPTION
1	524010	1	WELD,PWR-MOD,JD-T3-08
2	523176	1	FAN HOUSING 7000, RUNWAY
3	20494	2	FLANGE BEARING, 2.250"
4	3001137	1	SHAFT, FAN, A7000, JD 140 ENG
5	5212667	2	SNOWFLAKE BRG SPACER PL
6	5212668	1	WEIR, FAN SHAFT BRG
7	22842	1	TAPERED BUSHING, 2.250 Q2
8	5217143	1	ANGLE BKT, TOP, BLT-GRD,08
9	5217144	1	ANGLE BKT, BOT, BLT-GRD, A7-08
10	523741	1	WELD, GUARD, SHAFT, FAN, A7-08
11	5207852	2	JACK SCREW, ENG SKID
12	28687	1	ACTUATOR, 4"
13	61209	1	PULLEY, SR5V10.3
14	20476	2	TAPERED BUSHING, 2.250 R1
15	21304	1	SR5V8.5 PULLEY
16	20603	1	BELT, 5/8VX1180 BANDED
17	523727	1	WELD, BLT-GRD, A7, JD-T3-08
18	523728	1	ENDCAP, BLT-GRD, A7-08
19	522854	2	ANCHOR, RAIL, FUEL TANK
20	5214747	1	LEAF, GUARD, SHAFT, FAN, A7-08
21	29339	1	FLAP SET, FAN HOUSING, A7, A8, A9
22	28431	1	CLAMP, TOP, 1/2" HARDLINE
23	28432	2	CLAMP, 1/2" TUBE, HALVES, TWIN
24	29469	6	CLAMP HALVES, 3/4"
25	29470	3	CLAMP COVER PLATE, 3/4"
26	25092	1	CLAMP, 2" COATED
27	523717	8	TENSION ADJUSTMENT WELDMENT
28	23402	1	GROMMET, 1.5" I.D. X 2.125" O.D.
29	204366	1	ENG ASSY, A71/ABT, T4E, JD140
30	5219449	1	PANE, WINDOW, INSP, FAN, A7
31	5221617	1	MOUNT, SENSOR, FAN HOUSING
32	65568	1	ROD END, 1/4-28 / 2458K321
33	5221583	1	ROD, SENSOR, FAN HOUSING
34	5221584	1	LEVER, HALL EFFECT SENSOR, FAN
35	65794	1	SENSOR, HALL EFFECT
36	5221628	1	DEFILTER MNT BKT, ABT
37	26237	1	SV-KLONE PRECLEANER 900 TDL5
38	60813	1	4-1/2" T-BOLT CLAMP
39	523708	1	COVER PLATE, FAN HSG, A7/A9
40	5206385	1	SEAL, FAN, A7000 HP
41	5221406	1	BRACKET, CONTROL BOX MOUNT
42	523743	1	WLD, STANDOFF, BELT-GRD, A7-0
43	204604	1	HYDRAULICS, STANDARD A7
44	204607	1	KIT, HOSE PWR MOD STANDARD

* = ITEMS NOT SHOWN

Section 6 - Power Module

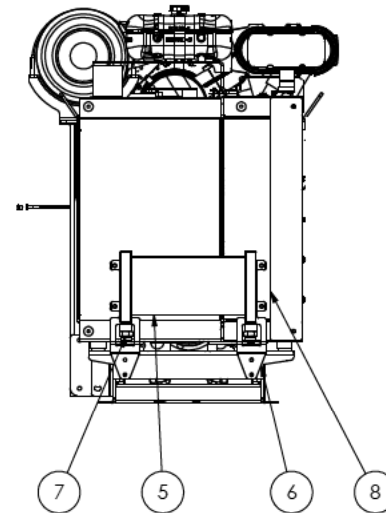
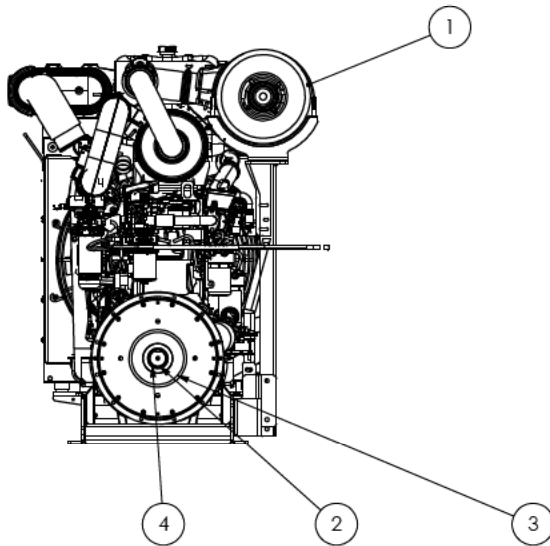
204R35 - POWER MODULE JD134



Section 6 - Power Module

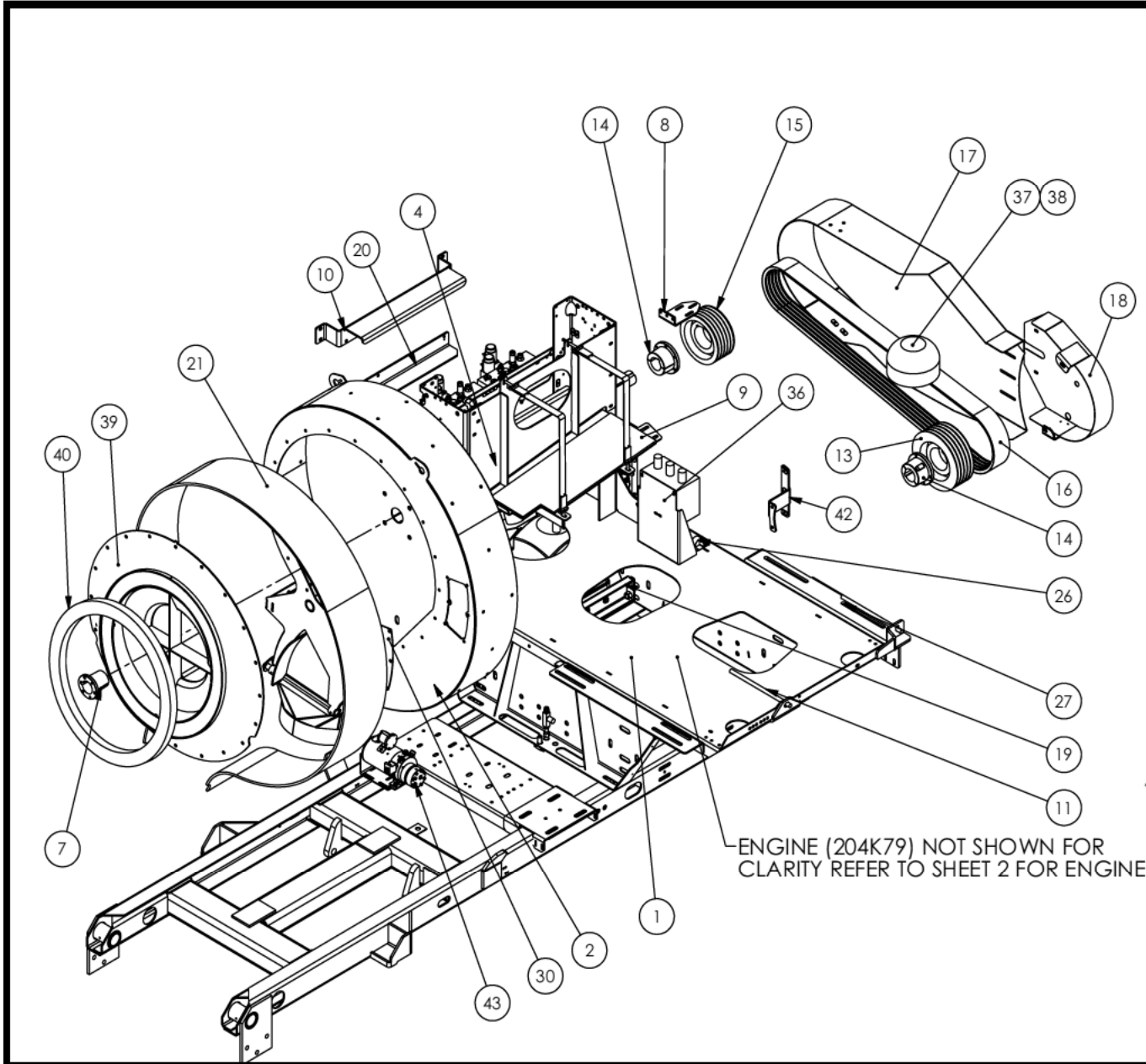
204J66 - ENGINE JD140

ITEM NO.	PART NUMBER	DESCRIPTION	QTY.
1	65407		1
2	523730	STUB SHAFT, JD-T3-08	1
3	521269	BEARING PLATE	1
4	20096	SKF BEARING 6212 2RS	1
5	20405	HYD OIL COOLER	1
6	5219121	BKT,OIL COOLER,A7-JD-IT4	2
7	61898	ADAPTER, 1" MORFS X 1" MORB	2
8	5221585	COVER, CAC BLOCKING	1



Section 6 - Power Module

204R34 - POWER MODULE JD115



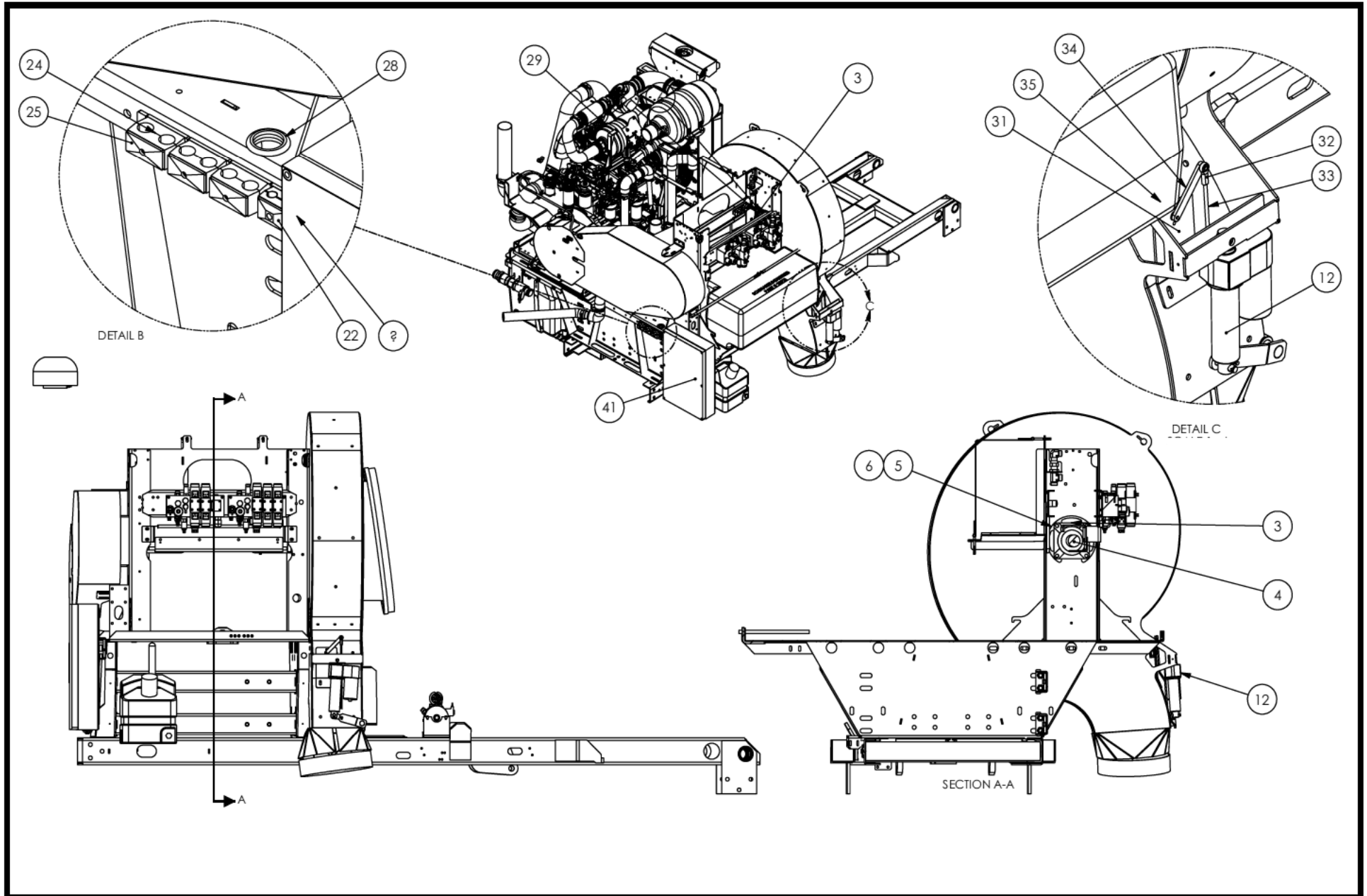
ITEM NO.	PART NUMBER	DESCRIPTION	QTY.
1	524010	WELD,PWR-MOD_ID-T3-08	1
2	523176	FAN HOUSING 7000, RUNWAY	1
3	20494	FLANGE BEARING, 2.250"	2
4	3001137	SHAFT, FAN, A7000, JD 140 ENG	1
5	5212667	SNOWFLAKE BRG SPACER PL	2
6	5212668	WEIR, FAN SHAFT BRG	1
7	22842	TAPERED BUSHING, 2.250 Q2	1
8	5217143	ANGLE BKT, TOP, BLT-GRD,08	1
9	5217144	ANGLE BKT, BOT, BLT-GRD, A7-08	1
10	523741	WELD, GUARD, SHAFT, FAN, A7-08	1
11	5207852	JACK SCRWB, ENG SKID	2
12	28687	ACTUATOR, 4"	1
13	41209	PULLEY, SRSV10.3	1
14	20476	TAPERED BUSHING, 2.250 R1	2
15	21304	SRSV8S PULLEY	1
16	20603	BELT, 5/8VX1180 BANDED	1
17	523727	WELD, BLT-GRD, A7, JD-T3-08	1
18	523728	ENDCAP, BLT-GRD, A7-08	1
19	522854	ANCHOR, RAIL, FUEL TANK	2
20	5214747	LEAF, GUARD, SHAFT, FAN, A7-08	1
21	29339	FLAP SET, FAN HOUSING, A7, A8, A9	1
22	28431	CLAMP, TOP 1/2" HARDLINE	1
23	28432	CLAMP, 1/2" TUBE, HALVES, TWIN	2
24	29469	CLAMP HALVES, 3/4"	6
25	29470	CLAMP COVER PLATE, 3/4"	3
26	28092	CLAMP, 2" COATED	1
27	523717	TENSION ADJUSTMENT WELDMENT	8
28	23402	GROMMET, 1.5" I.D. X 2.125" O.D.	1
29	204K79	ENGINE ASSY A77/ABT, T4F, JD115	1
30	5219449	PANE, WINDOW, INSP, FAN, A7	1
31	5221617	MOUNT, SENSOR, FAN HOUSING	1
32	45568	ROD END, 1/4-28 /Z458K/321	1
33	5221583	ROD, SENSOR, FAN HOUSING	1
34	5221584	LEVER, HALL EFFECT SENSOR, FAN	1
35	45794	SENSOR, HALL EFFECT	1
36	5221628	DEF FILTER MNT BKT, ABT	1
37	26237	SY-KLONE PRECLEANER 9001DLS	1
38	40813	4-1/2" T-BOLT CLAMP	1
39	523708	COVER PLATE, FAN HSG, A7/A9	1
40	5206385	SEAL, FAN, A7000 HP	1
41	5221406	BRACKET, CONTRL BOX MOUNT	1
42	523743	WLD, STANDOFF, BELT-GRD, A7-0	1
43	204104	HYDRAULICS, STANDARD A7	1
44	204107	KIT, HOSE PWR MOD STANDARD	1

* = ITEMS NOT SHOWN

ENGINE (204K79) NOT SHOWN FOR CLARITY REFER TO SHEET 2 FOR ENGINE.

Section 6 - Power Module

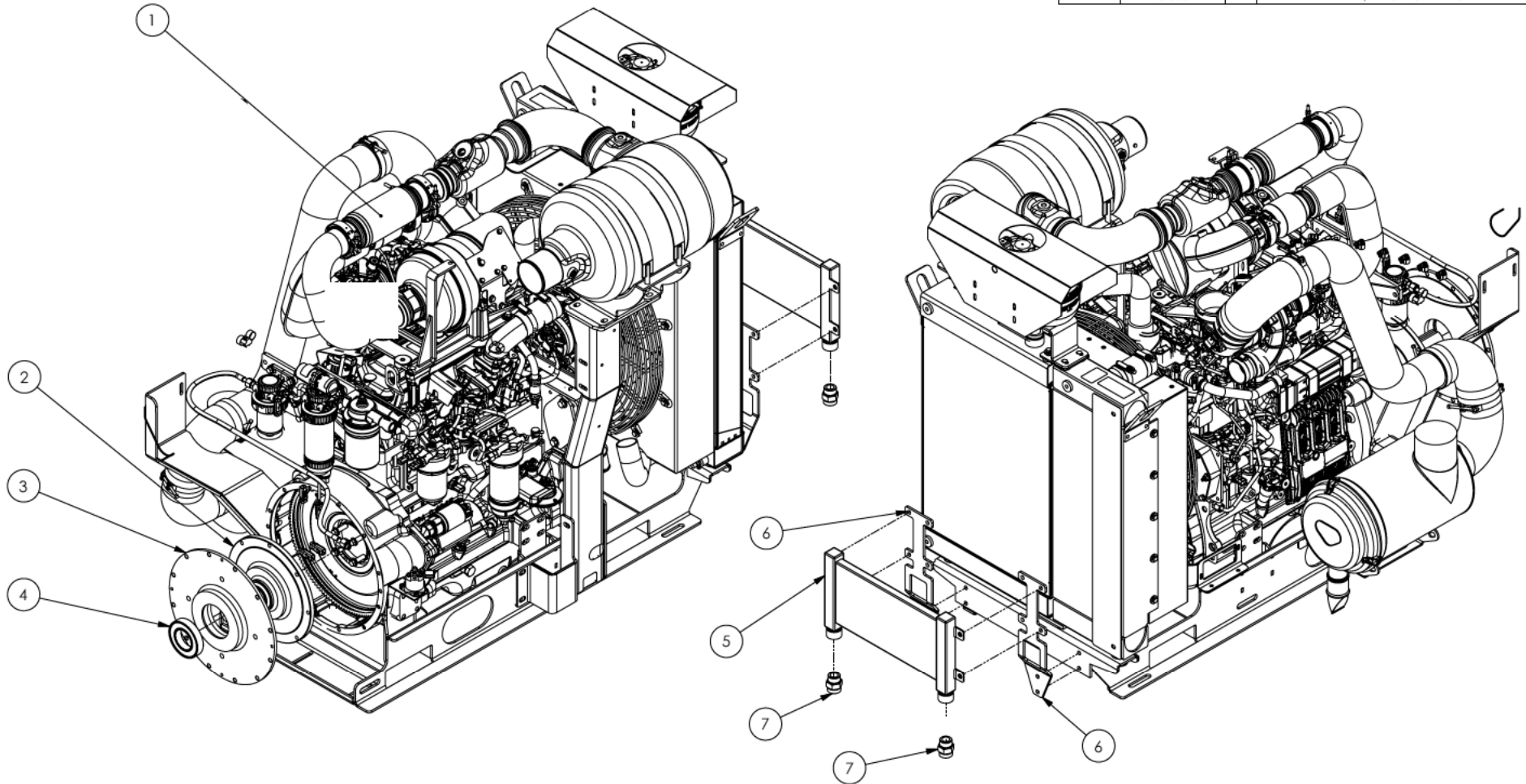
204R34 - POWER MODULE JD115



Section 6 - Power Module

204K79 - ENGINE JD115

ITEM NO.	PART NUMBER	QTY.	DESCRIPTION
1	65884	1	ENGINE, JD 115 HP TIER IV
2	523730	1	STUB SHAFT, JD-T3-08
3	521269	1	BEARING PLATE
4	20096	1	SKF BEARING 6212 2RS
5	20405	1	HYD OIL COOLER
6	5219121	2	BKT,OIL COOLER,A7-JD-IT4
7	61898	2	ADAPTER, 1" MORFS X 1" MORB



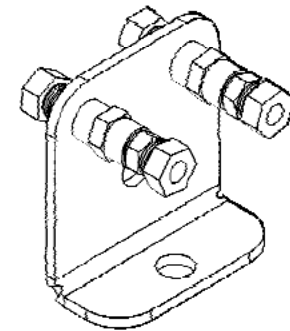
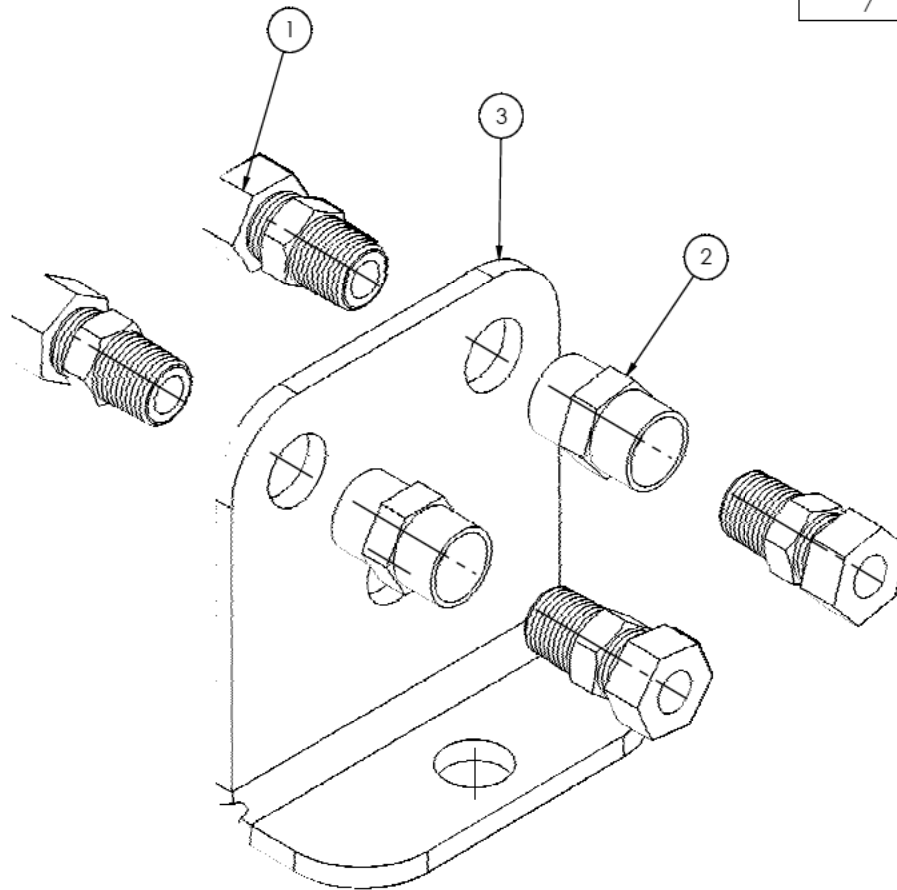
Section 6 - Power Module

203J02 - REMOTE GREASE FITTING FAN

ITEM NO.	PART NUMBER	QTY.	DESCRIPTION
1	23541	4	CONNECTOR, 1/4 TUBE 1/8 MPT
2	20131	2	COUPLING, 1/8 NPT BRASS
3	5215502	1	BRACKET, REM GREASE FITTING

ITEMS NOT SHOWN

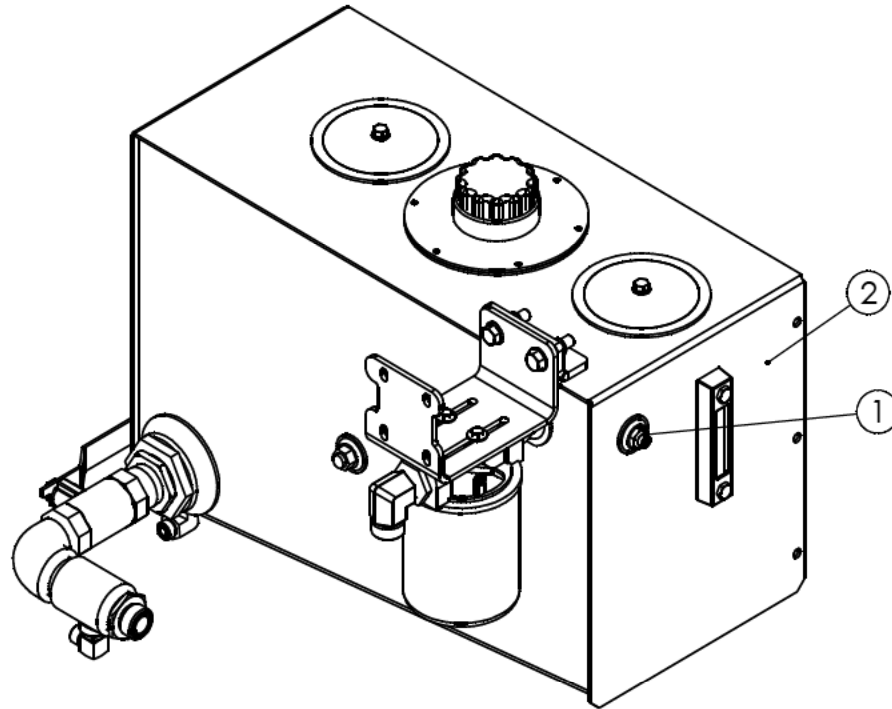
ITEM NO.	PART NUMBER	QTY.	DESCRIPTION
4	20139	7	CLAMP, .50" RUBBER LINED
5	20142	2	ELBOW, 1/8 NPT STREET, BRASS
6	22623-20	1	TUBING, 1/4 NYLON
7	29686	1	DECAL IMPORTANT GREASE FAN



Section 6 - Power Module

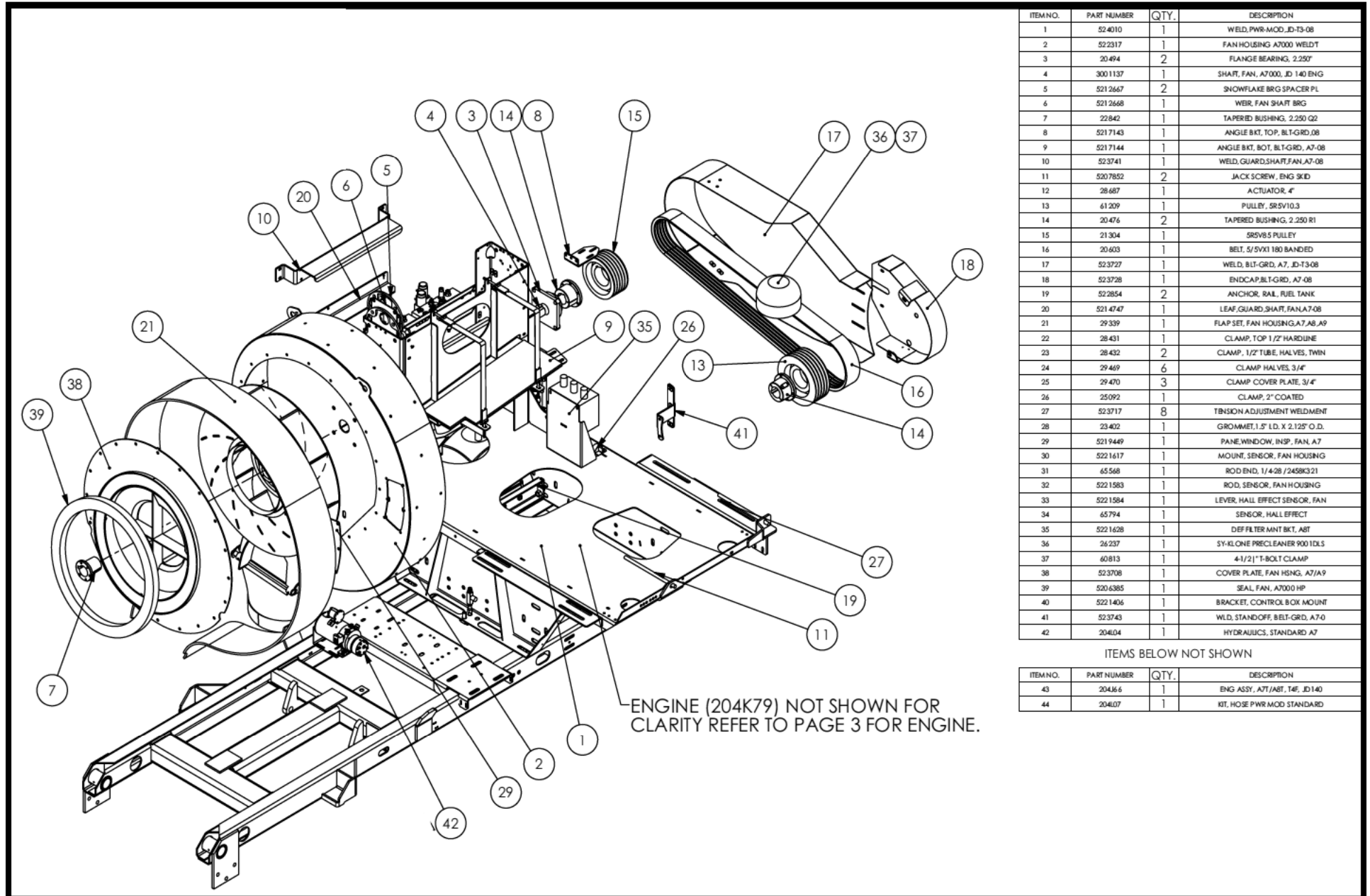
204J95 - HYDRAULIC TANK

ITEM NO.	PART NUMBER	DESCRIPTION	QTY.
1	61053	1/4" MORFS X 1/2 MP STRAIGHT	1
2	67392	TANK, HYDRAULIC ASSY, A SERIES	1



Section 6 - Power Module

204M02 - POWER MODULE JD140 TIER4



ITEM NO.	PART NUMBER	QTY.	DESCRIPTION
1	524010	1	WELD,PWR-MOD_ID-T3-08
2	522317	1	FAN HOUSING A7000 WELDT
3	20494	2	FLANGE BEARING, 2.250"
4	3001137	1	SHAFT, FAN, A7000, ID 1.40 ENG
5	5212667	2	SNOWFLAKE BRG SPACER PL
6	5212668	1	WBR, FAN SHAFT BRG
7	22842	1	TAPERED BUSHING, 2.250 Q2
8	5217143	1	ANGLE BKT, TOP, BLT-GRD,08
9	5217144	1	ANGLE BKT, BOT, BLT-GRD, A7-08
10	523741	1	WELD, GUARD, SHAFT, FAN, A7-08
11	5207852	2	JACK SCREW, ENG SKID
12	28687	1	ACTUATOR, 4"
13	61209	1	PULLEY, SR5V10.3
14	20476	2	TAPERED BUSHING, 2.250 R1
15	21304	1	SR5V5 PULLEY
16	20603	1	BELT, 5/8X1180 BANDED
17	523727	1	WELD, BLT-GRD, A7_ID-T3-08
18	523728	1	ENDCAP, BLT-GRD, A7-08
19	522854	2	ANCHOR, RAIL, FUEL TANK
20	5214747	1	LEAF, GUARD, SHAFT, FAN, A7-08
21	29339	1	FLAP SET, FAN HOUSING, A7, A8, A9
22	28431	1	CLAMP, TOP 1/2" HARDLINE
23	28432	2	CLAMP, 1/2" TUBE, HALVES, TWIN
24	29469	6	CLAMP HALVES, 3/4"
25	29470	3	CLAMP COVER PLATE, 3/4"
26	25092	1	CLAMP, 2" COATED
27	523717	8	TENSION ADJUSTMENT WELDMENT
28	23402	1	GROMMET, 1.5" I.D. X 2.125" O.D.
29	5219449	1	PANE, WINDOW, INSP, FAN, A7
30	5221617	1	MOUNT, SENSOR, FAN HOUSING
31	65568	1	ROD END, 1/4-28 / 2458K321
32	5221583	1	ROD, SENSOR, FAN HOUSING
33	5221584	1	LEVER, HALL EFFECT SENSOR, FAN
34	65794	1	SENSOR, HALL EFFECT
35	5221628	1	DEFILTER MNT BKT, A8T
36	26237	1	SV-KLONE PRECLEANER 900 TDL3
37	60813	1	4-1/2" T-BOLT CLAMP
38	523708	1	COVER PLATE, FAN HSG, A7/A9
39	5206385	1	SEAL, FAN, A7000 HP
40	5221406	1	BRACKET, CONTROL BOX MOUNT
41	523743	1	WLD, STANDOFF, BELT-GRD, A7-0
42	204604	1	HYDRAULICS, STANDARD A7

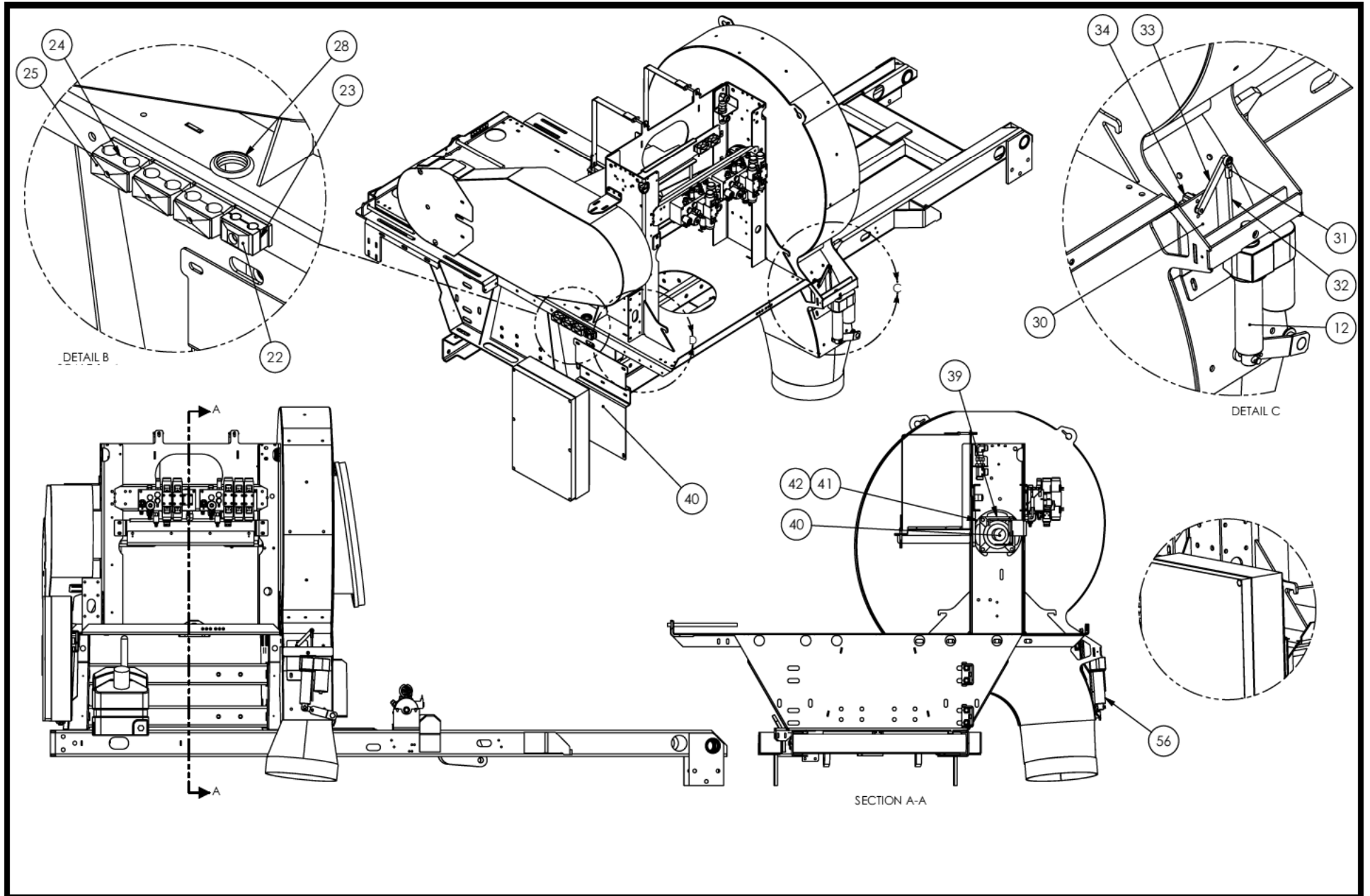
ITEMS BELOW NOT SHOWN

ITEM NO.	PART NUMBER	QTY.	DESCRIPTION
43	204366	1	ENG ASSY, A71/A8T, T4F_ID140
44	204607	1	KIT, HOSE PWR MOD STANDARD

ENGINE (204K79) NOT SHOWN FOR CLARITY REFER TO PAGE 3 FOR ENGINE.

Section 6 - Power Module

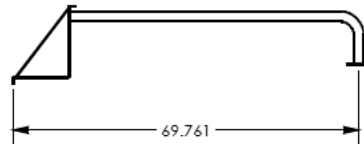
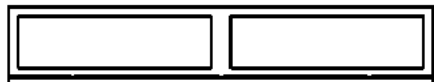
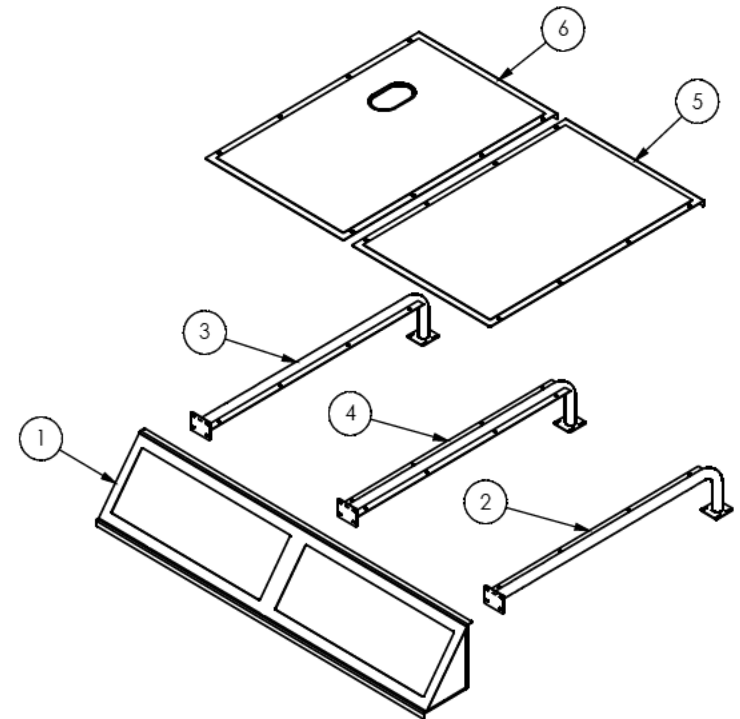
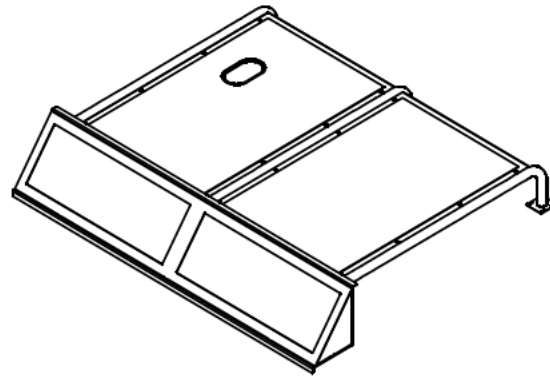
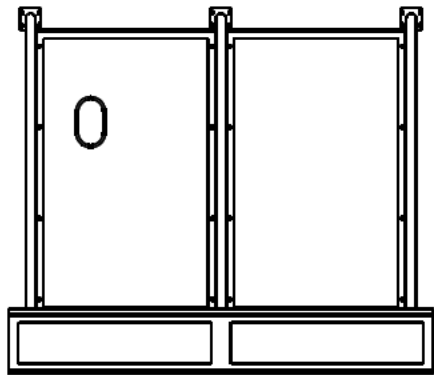
204M02 - POWER MODULE JD140 TIER 4



Section 6 - Power Module

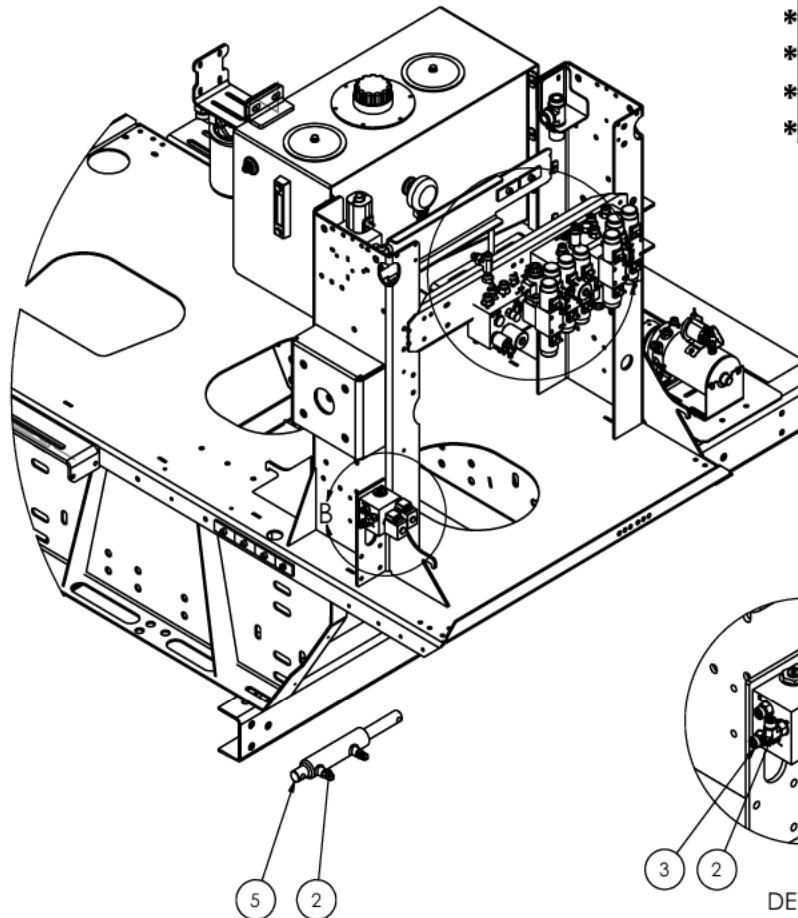
204U72 - LIMB GUARD, CUMMINS

ITEM NO.	PART NUMBER	QTY.	DESCRIPTION
1	525830	1	FRONT LIMB GUARD
2	525833	1	LH LIMB GUARD
3	525831	1	RH LIMB GUARD
4	525832	1	CENTER LIMB GUARD
5	525834	1	LH SCREEN WELDMENT
6	525835	1	RH SCREEN WELDMENT



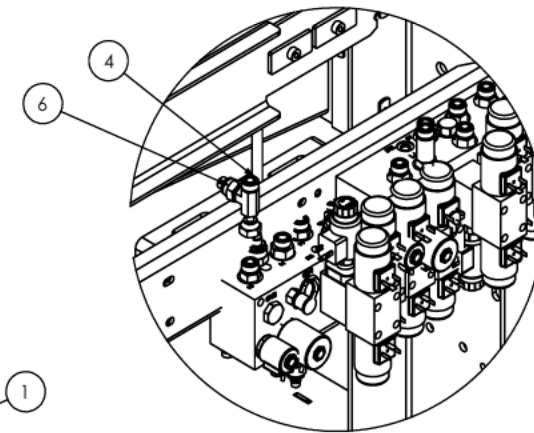
Section 6 - Power Module

204K91 - GB POWER TILT LH

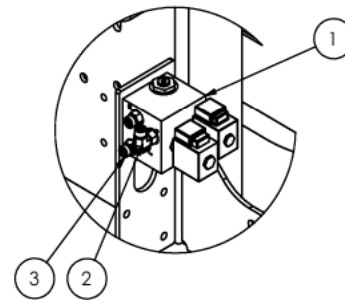


ITEM NO.	PART NUMBER	DESCRIPTION	QTY.
1	29707	VALVE ASSY, GUTTER BROOM TILT	1
2	61028	ELBOW, 90 1/4 MORFS X 1/4 MORB	3
3	61030	1/4" MORFS X 1/4" MORB	3
4	61021	1/2" TEE MORFS X FORFS X MORF	1
5	63428	CYLINDER, 1 1/2 X 3 3/4 HYD.	1
6	61051	ADAPTER, 1/2 FORFS X 1/4 MORFS	1
* 7	524986	HOSE, LH TLT MN C1 TO LH TLT C	1
* 8	524987	HOSE, LH TLT MN C2 TO LH TLT C	1
* 9	524988	HOSE, FR MN A3T TO LH TLT MN	1
* 10	524965	HOSE, TILT MAN TO FR MAN	1
* 11	524985	HOSE, JPR TLT MN T TO TLT MN T	1
* 12	61034	TEE, 1/4" MORFSXMORFSXMORB	1

*** PARTS NOT SHOWN**



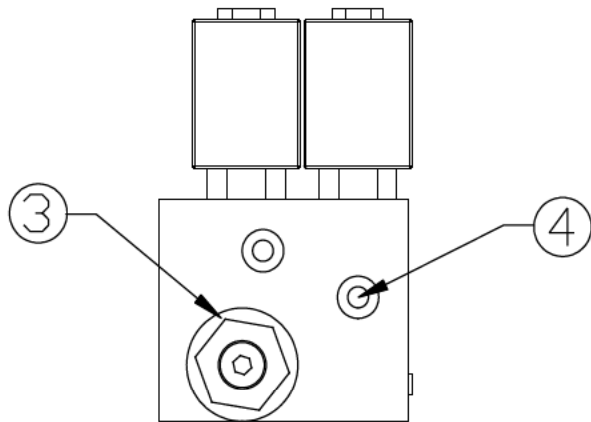
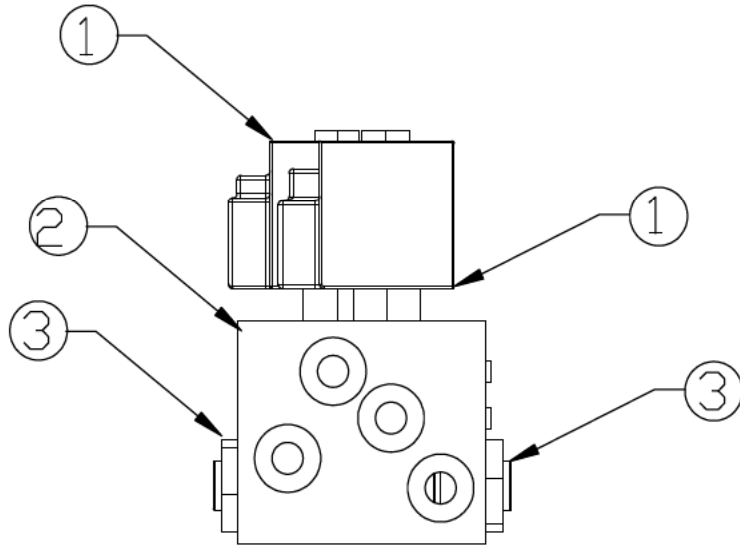
DETAIL C



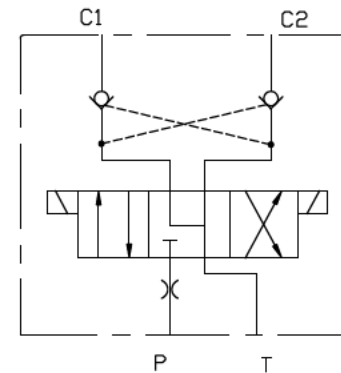
DETAIL B

Section 6 - Power Module

29707 - GB TILT VALVE

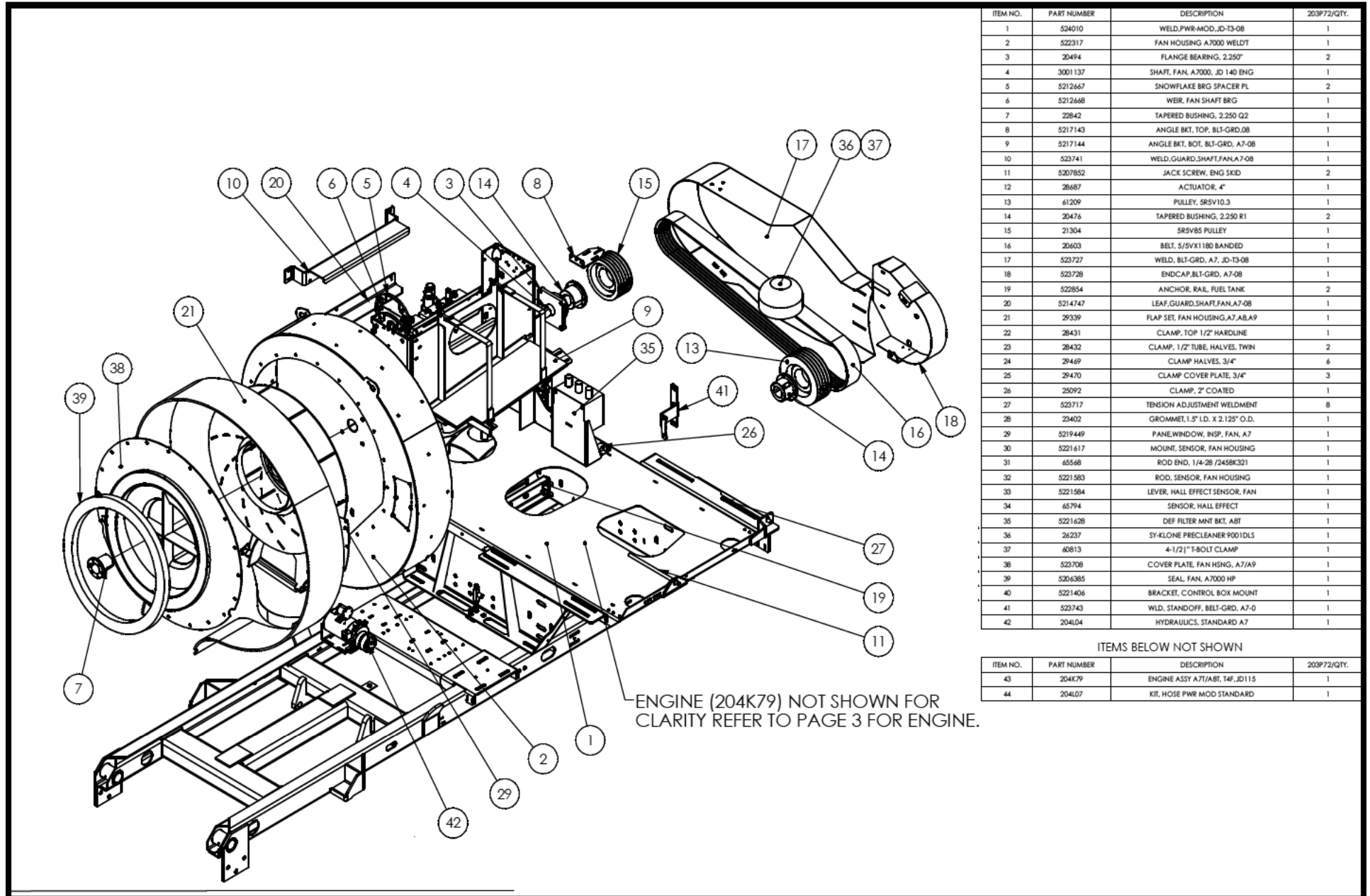


PARTS LIST				
ITEM	QTY	VENDOR PT NO	DESCRIPTION	SCH PT NO
1	2	DSL083D012LD	DIRECTIONAL VALVE	54458
2	1	SMH1241PV3	MANIFOLD BLOCK	54742
3	2	CPH104P	P. O. CHECK	54743
4	1	ORIFICE PLUG	0.028 ORIFICE	54741



Section 6 - Power Module

204L14 - POWER MODULE JD115 TIER 4



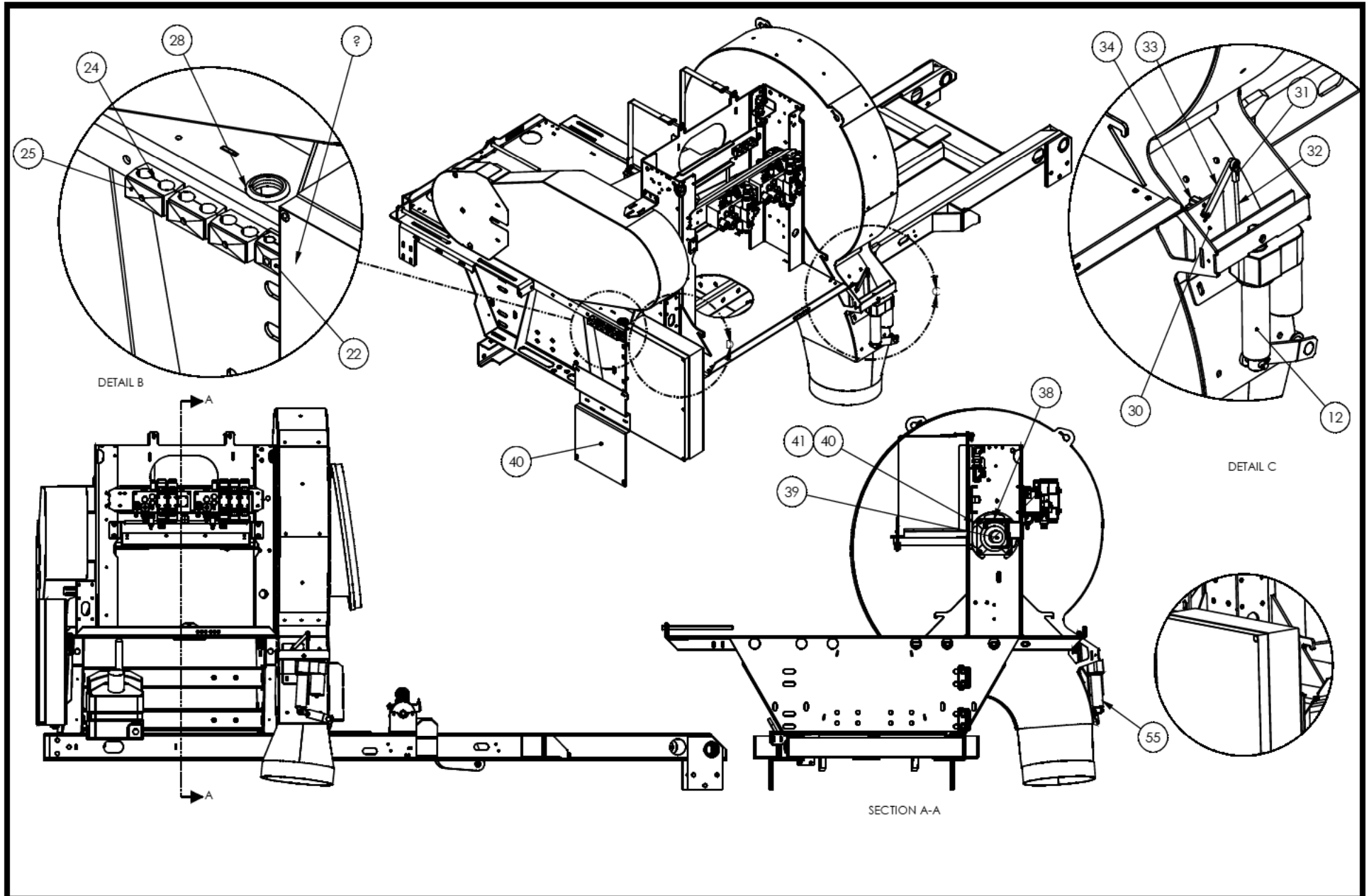
ITEM NO.	PART NUMBER	DESCRIPTION	203P72/QTY.
1	524010	WELD,PWR-MOD,JD-T3-08	1
2	522317	FAN HOUSING A7000 WELDT	1
3	20494	FLANGE BEARING, 2.250"	2
4	3001137	SHAFT, FAN, A7000, JD 140 ENG	1
5	5212667	SNOWFLAKE BRG SPACER PL	2
6	5212668	WEIR, FAN SHAFT BRG	1
7	22842	TAPERED BUSHING, 2.250 Q2	1
8	5217143	ANGLE BKT, TOP, BLT-GRD,08	1
9	5217144	ANGLE BKT, BOT, BLT-GRD, A7-08	1
10	523741	WELD, GUARD, SHAFT, FAN, A7-08	1
11	5207852	JACK SCREW, ENG SKID	2
12	28687	ACTUATOR, 4"	1
13	61209	PULLEY, SR5V10.3	1
14	20476	TAPERED BUSHING, 2.250 R1	2
15	21304	SR5V85 PULLEY	1
16	20603	BELT, 5/8VX1180 BANDED	1
17	523727	WELD, BLT-GRD, A7, JD-T3-08	1
18	523728	ENDCAP, BLT-GRD, A7-08	1
19	522854	ANCHOR, RAIL, FUEL TANK	2
20	5214747	LEAF, GUARD, SHAFT, FAN, A7-08	1
21	29339	FLAP SET, FAN HOUSING, A7, A8, A9	1
22	28431	CLAMP, TOP 1/2" HARDLINE	1
23	28432	CLAMP, 1/2" TUBE, HALVES, TWIN	2
24	29469	CLAMP HALVES, 3/4"	6
25	29470	CLAMP COVER PLATE, 3/4"	3
26	25092	CLAMP, 2" COATED	1
27	523717	TENSION ADJUSTMENT WELDMENT	8
28	23402	GROMMET, 1.5" LD. X 2.125" O.D.	1
29	5219449	PANE, WINDOW, INSP, FAN, A7	1
30	5221617	MOUNT, SENSOR, FAN HOUSING	1
31	65568	ROD END, 1/4-28 /2458K321	1
32	5221583	ROD, SENSOR, FAN HOUSING	1
33	5221584	LEVER, HALL EFFECT SENSOR, FAN	1
34	65794	SENSOR, HALL EFFECT	1
35	5221628	DEF FILTER MNT BKT, A8T	1
36	26237	SY-KLONE PRECLEANER 900 IDLS	1
37	40813	4-1/2" T-BOLT CLAMP	1
38	523708	COVER PLATE, FAN HSG, A7/A9	1
39	5206385	SEAL, FAN, A7000 HP	1
40	5221406	BRACKET, CONTROL BOX MOUNT	1
41	523743	WLD, STANDOFF, BELT-GRD, A7-0	1
42	204L04	HYDRAULICS, STANDARD A7	1

ITEMS BELOW NOT SHOWN

ITEM NO.	PART NUMBER	DESCRIPTION	203P72/QTY.
43	204K79	ENGINE ASSY A7T/ABT, T4F, JD115	1
44	204L07	KIT, HOSE PWR MOD STANDARD	1

Section 6 - Power Module

204L14 - POWER MODULE JD115 TIER 4

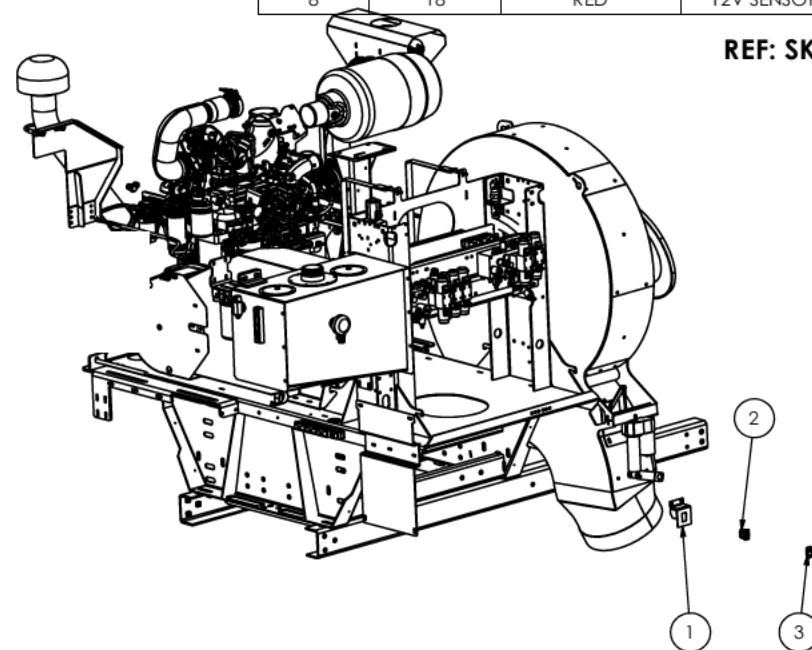
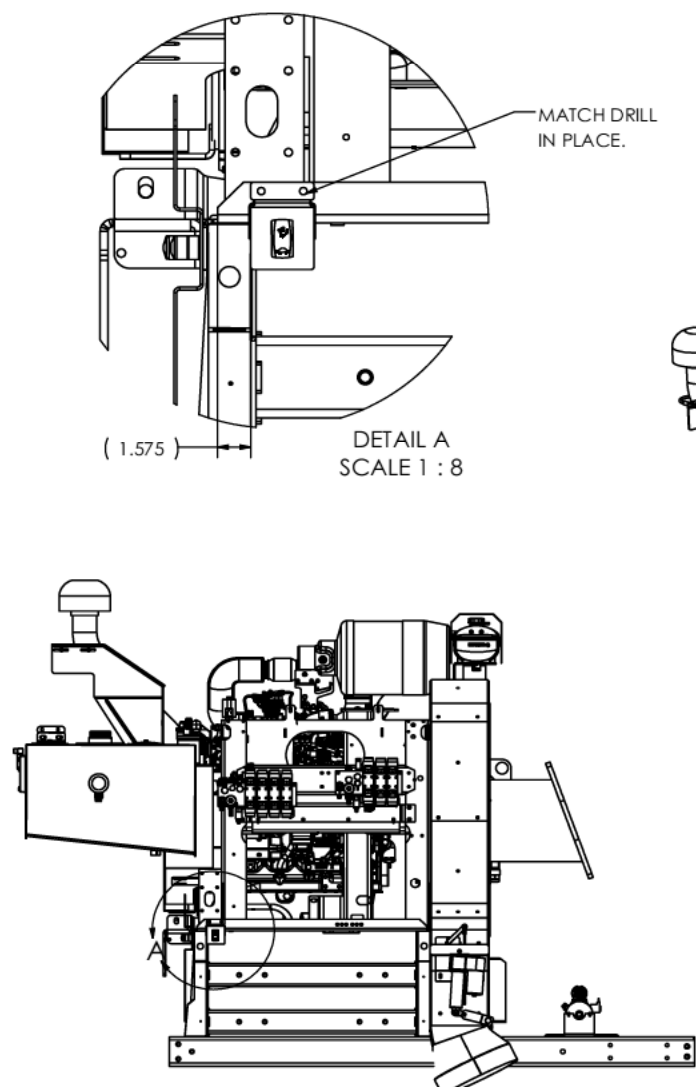


Section 6 - Power Module

204T80 - ENGINE BAY THROTTLE SWITCH

ITEM NO.	PART NUMBER	DESCRIPTION	QTY.
1	5223704	BRACKET, THROTTLE SWITCH	1
2	62610	SWITCH, CONTURA, MOM/OFF/MOM	1
3	63212	SWITCH ACTUATOR, FAST/SLOW	1

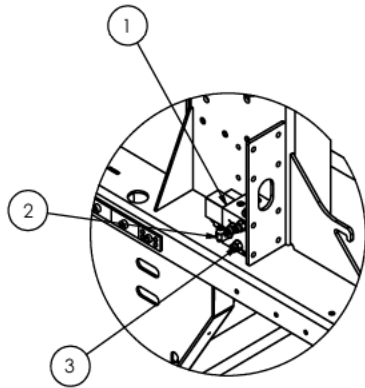
REMOTE THROTTLE SWITCH			
TERMINAL	WIRE GAUGE	WIRE COLOR	WIRE LABEL
1	18	BROWN/BLACK	THROTTLE DOWN
2	18	RED	12V SENSOR POWER
3	18	TAN	THROTTLE UP
4	-	-	-
5	-	-	-
6	-	-	-
7	18	BLACK	GROUND
8	18	RED	12V SENSOR POWER



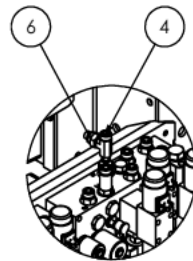
REF: SK-2439

Section 6 - Power Module

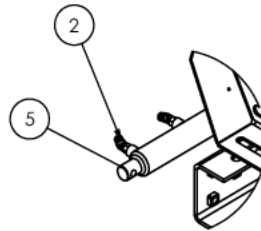
204K92 - GB POWER TILT RH



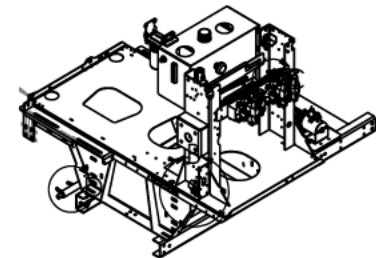
DETAIL B



DETAIL C



DETAIL D



ITEM NO.	PART NUMBER	DESCRIPTION	QTY.	
1	29707	VALVE ASSY, GUTTER BROOM TILT	1	
2	61028	ELBOW, 90 1/4 MORFS X 1/4 MORB	3	
3	61030	1/4" MORFS X 1/4" MORB	3	
4	61021	1/2' TEE MORFS X FORFS X MORF	1	
5	63428	CYLINDER, 1 1/2 X 3 3/4 HYD.	1	
6	61051	ADAPTER, 1/2 FORFS X 1/4 MORFS	1	
*	7	524989	HOSE, RH TLT MN C1 TO RH TLT C	1
*	8	524990	HOSE, RH TLT MN C1 TO RH TLT C	1
*	9	524991	HOSE, RR MN A3 T TO RH TLT MN	1
*	10	524965	HOSE, TITL MAN TO FR MAN	1

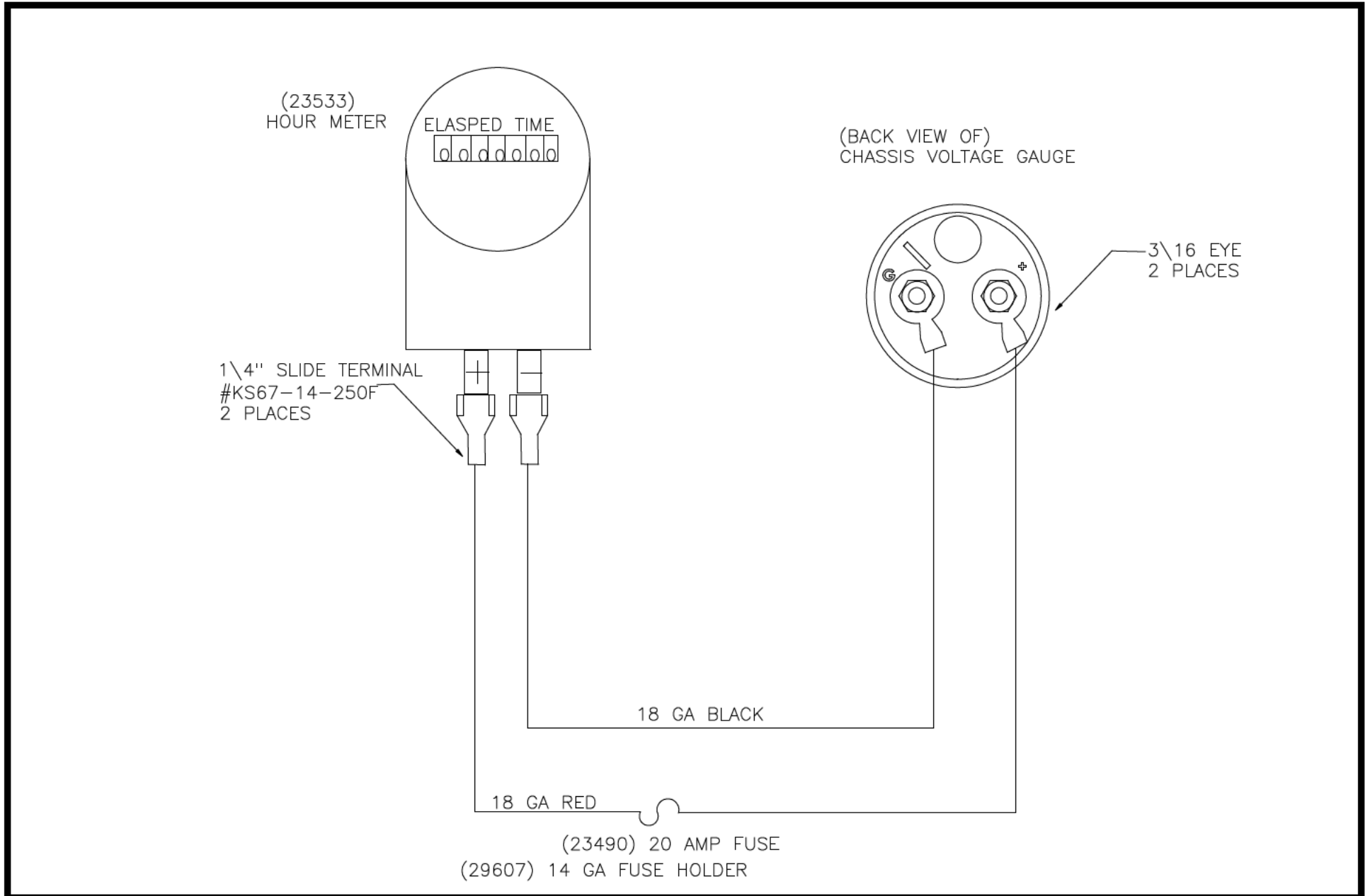
* PARTS NOT SHOWN

Schematics

7

Section 7 - Schematics

SK-2096 - HOUR METER



Section 7 - Schematics

SK-2439 - ENGINE BAY THROTTLE

MAIN HARNESS MODIFICATIONS

1. ON THE MAIN HARNESS, APPROXIMATELY 8" FROM THE JUNCTION CONNECTOR TO THE CPU BOX, IDENTIFY THE FOLLOWING CIRCUITS:

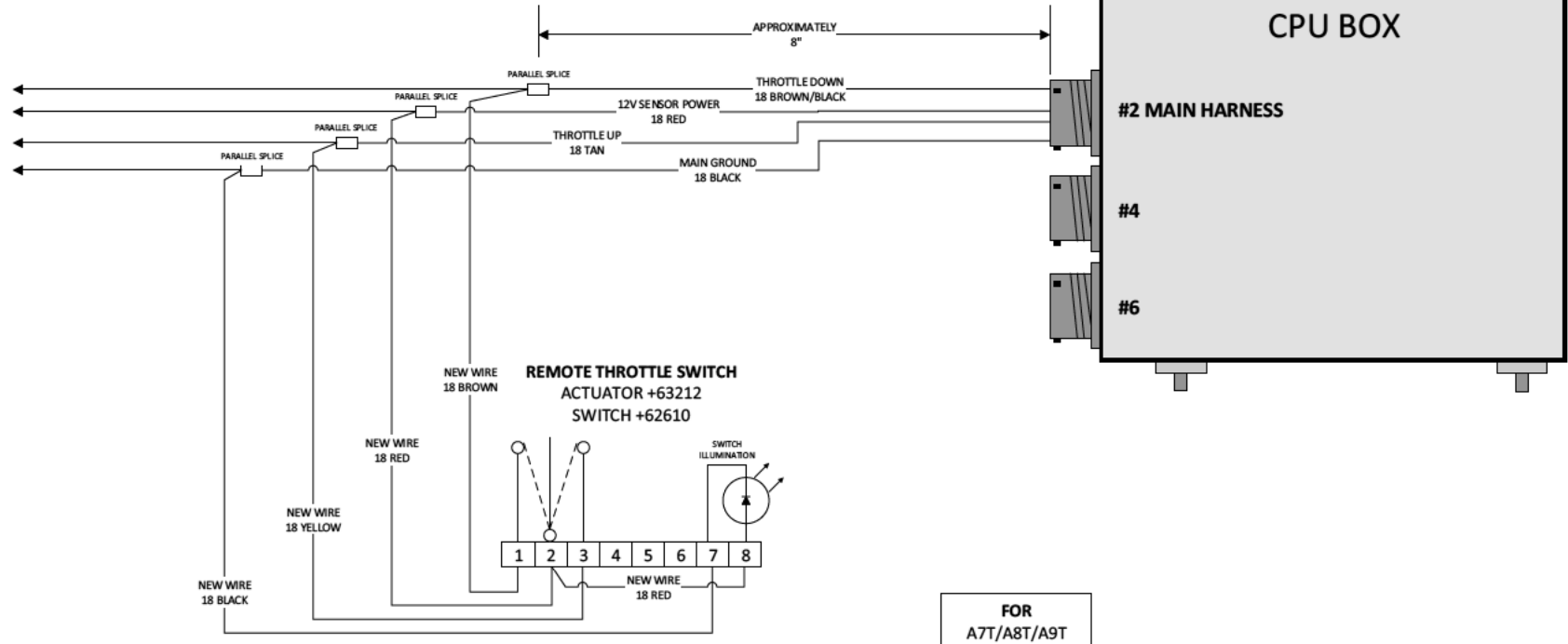
- A. THROTTLE DOWN (18 GAUGE BROWN/BLACK)
- B. THROTTLE UP (18 GAUGE TAN)
- C. 12V SENSOR POWER (18 GAUGE RED)
- D. MAIN GROUND (18 GAUGE BLACK)

2. SPLICE APPROXIMATELY 7 FEET OF WIRE, TO THE INDICATED CIRCUITS, PER THE SCHEMATIC.

3. TERMINATE THE WIRE ENDS, AT THE THROTTLE SWITCH, USING 0.250" FEMALE QUICK DISCONNECT HEAT SHRINK INSULATED TERMINALS.

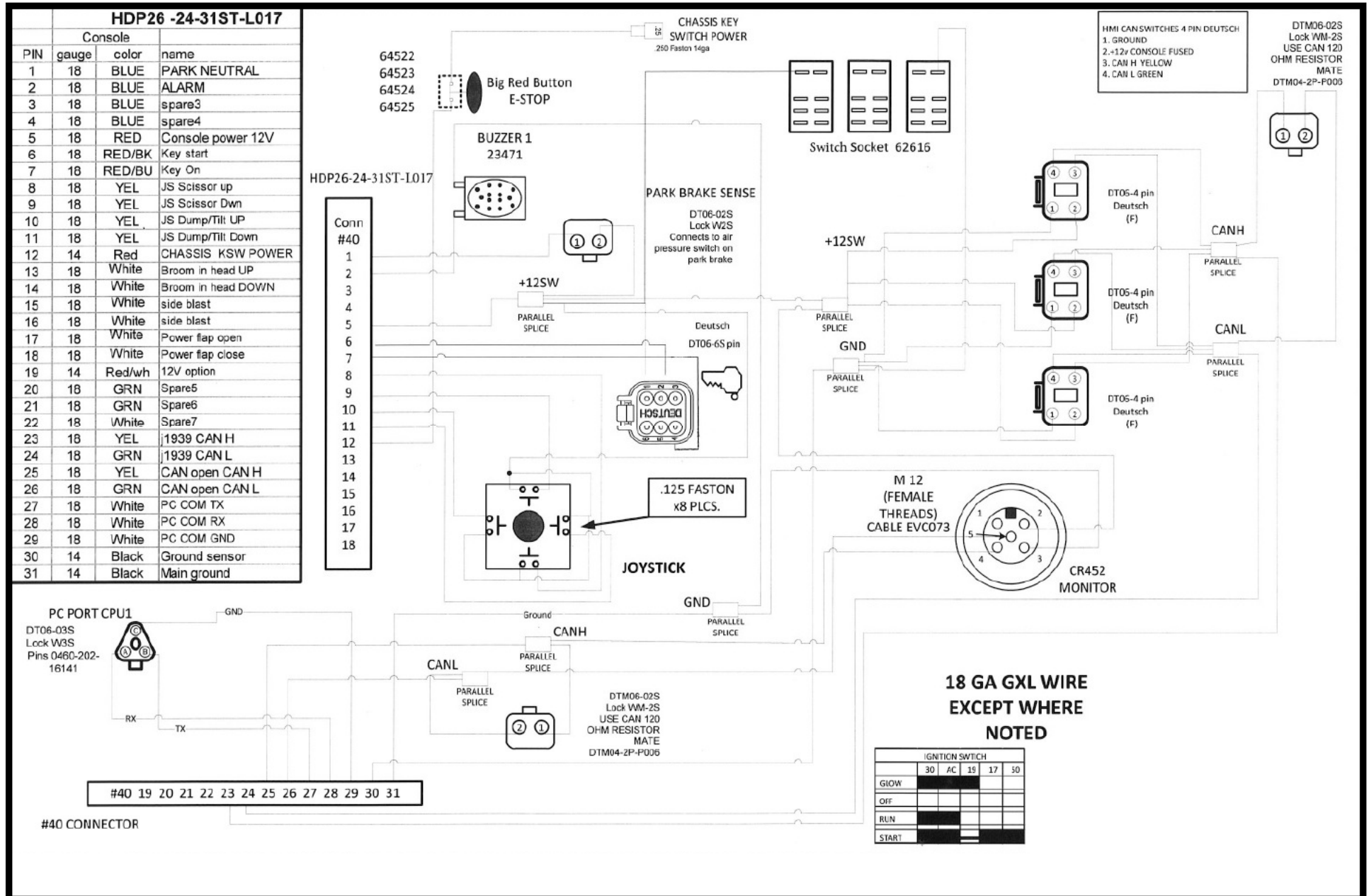
4. COVER THE NEW WIRES WITH LOOM.

5. SEE SCHEMATIC FOR CONNECTIONS TO THROTTLE SWITCH.



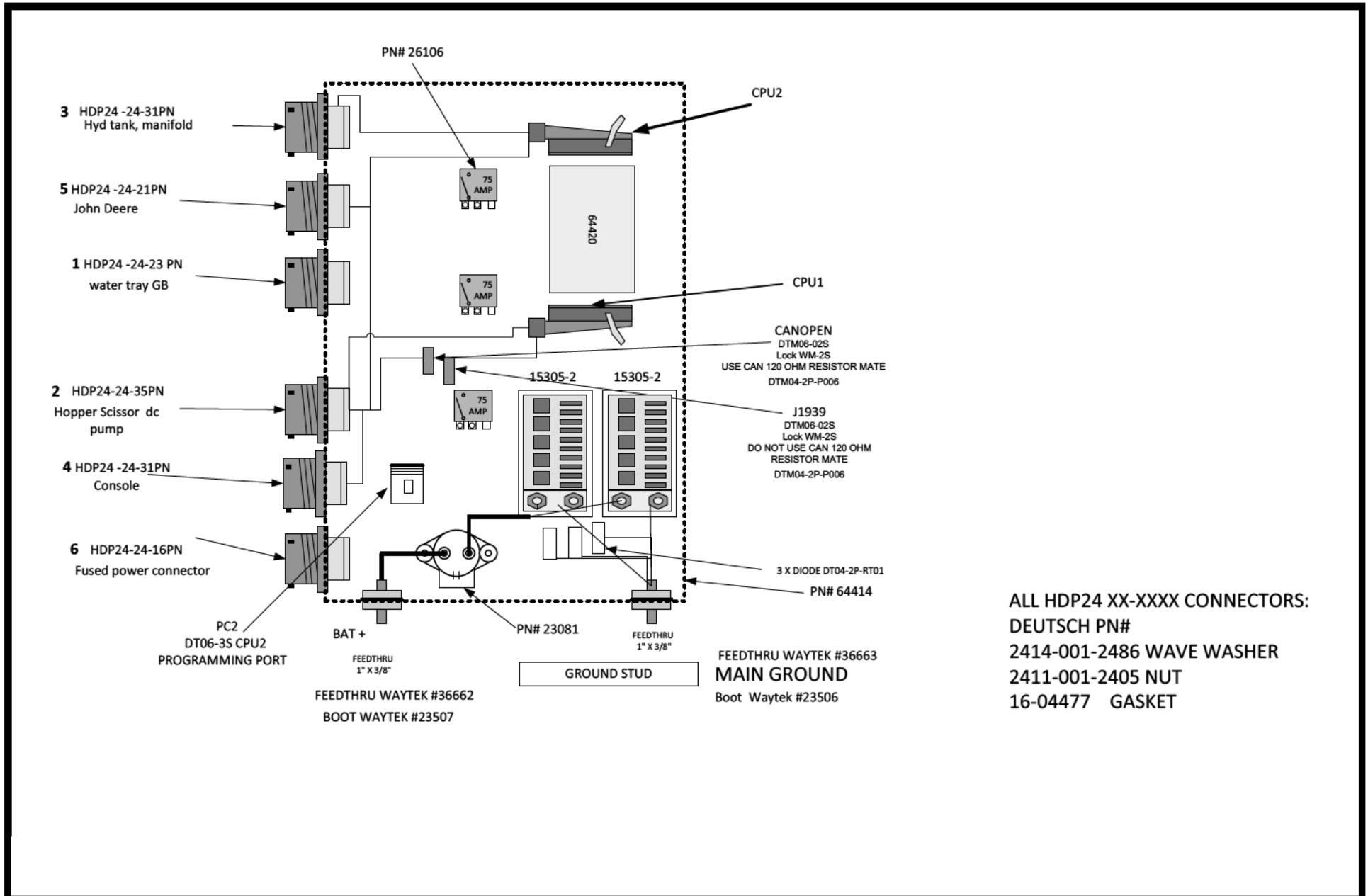
Section 7 - Schematics

65653 / 66037 - Console Wiring



Section 7 - Schematics

A8 CPU Box Wiring



Section 7 - Schematics

Wiring

FUSE BLOCK LABELS
SCHWARZE PART NUMBER 65952

FUSE PANEL #1

LGB GEO EXT	R1	F1	25 AMP
		F2	10 AMP
LGB GEO RET	R2	F3	25 AMP
		F4	20 AMP
RGB GEO EXT	R3	F5	25 AMP
		F6	20 AMP
RGB GEO RET	R4	F7	15 AMP
		F8	10 AMP
OPEN	R5	F9	30 AMP
		F10	20 AMP

65952 REV A

FUSE PANEL #2

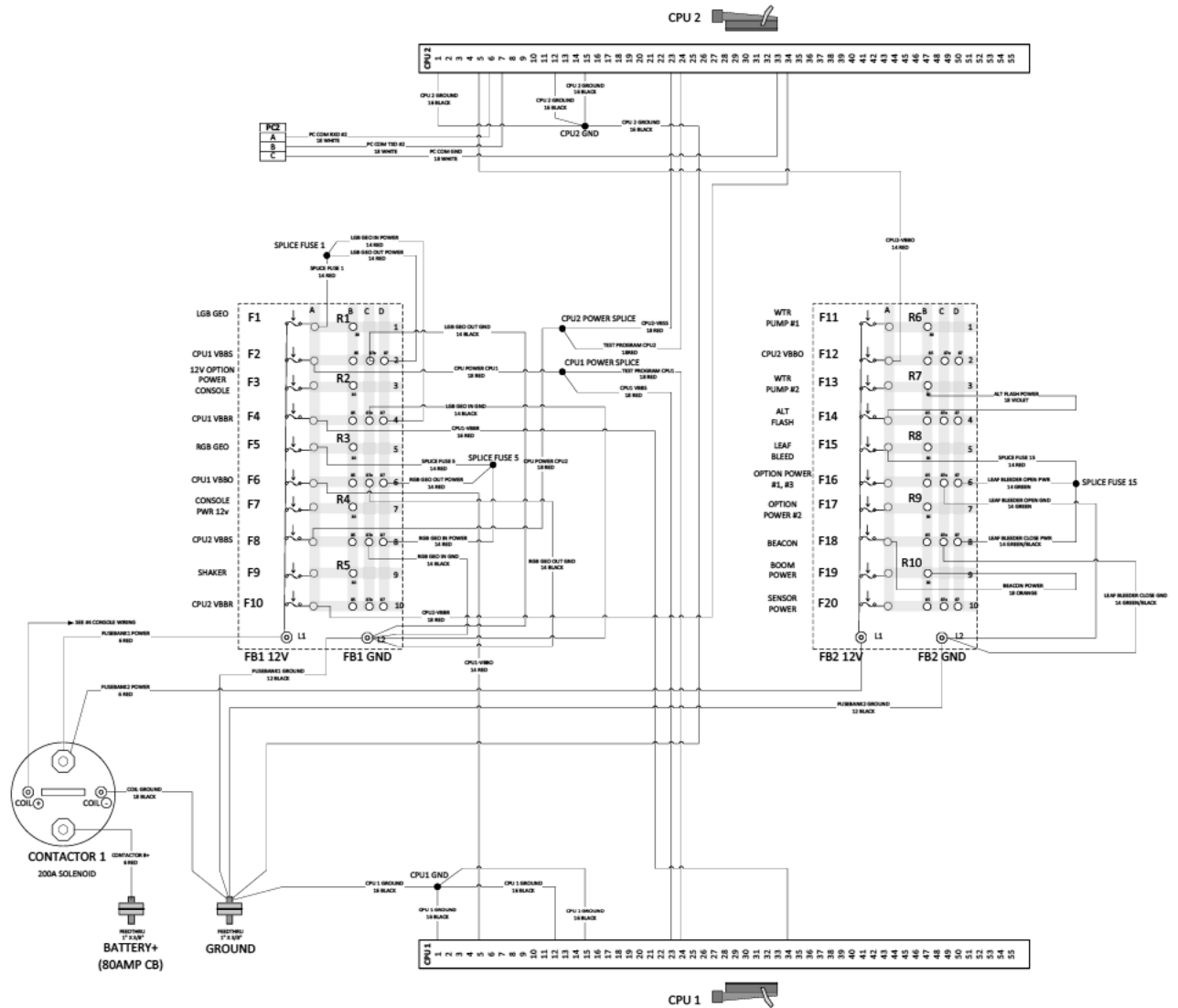
OPEN	R1	F1	30 AMP
		F2	20 AMP
ALT FLASH	R2	F3	30 AMP
		F4	15 AMP
LF BLDR OP	R3	F5	25 AMP
		F6	25 AMP
LF BLDR CS	R4	F7	25 AMP
		F8	15 AMP
BEACON	R5	F9	25 AMP
		F10	10 AMP

65952 REV A

Section 7 - Schematics

CPU Power Wiring

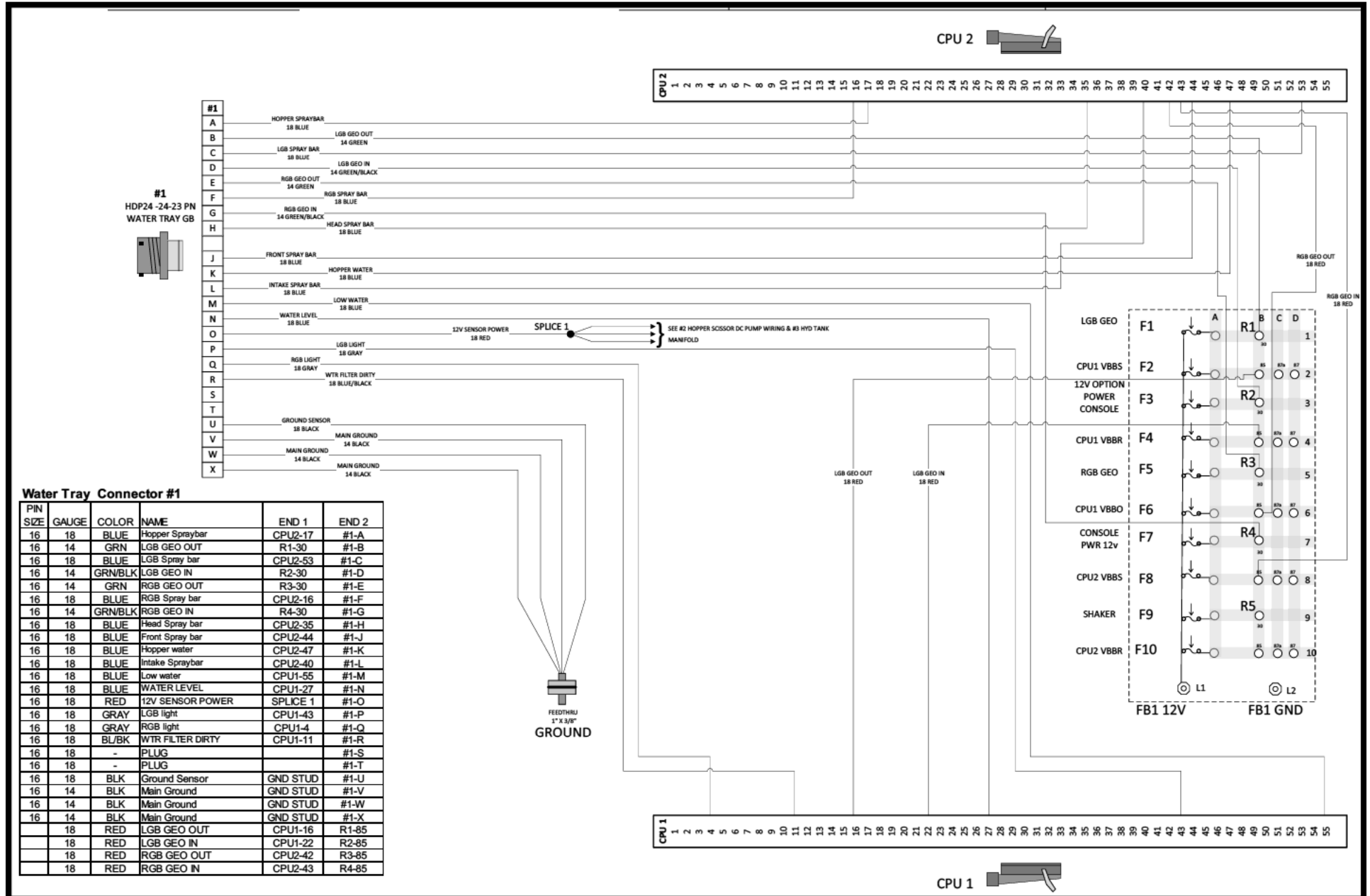
END1	END2	ALT	NAME	COLOR	GAUGE	NAME	CONNECTED TO	ALT	NAME
CONNECTOR SW		RED	6	FUSEBANK POWER	FB1 12V	FB1 L1			
CONNECTOR SW		RED	6	FUSEBANK2 POWER	FB2 12V	FB2 L1			
GROUND		RED	12	FUSEBANK1 GND	FB1 GND	FB1 L2			
GROUND		RED	12	FUSEBANK2 GND	FB2 GND	FB2 L2			
R1-B7	FB1-D2	RED	14	USB GEO OUT POWER	SPLICE FUSE 1				
R1-B7A	FB1-C2	RED	14	USB GEO OUT GND	GROUND				
CPU1 POWER SPLICE		RED	18	CPU1 VB85	CPU1-23				
R2-B7	FB1-D4	RED	14	USB GEO IN POWER	SPLICE FUSE 1				
R2-B7A	FB1-C4	RED	14	USB GEO IN GND	GROUND				
FUSE4	FB1-A4	RED	18	CPU1 VB88	CPU1-34				
R3-B7	FB1-D6	RED	14	RGB GEO OUT POWER	SPLICE FUSE 5				
R3-B7A	FB1-C6	RED	14	RGB GEO OUT GND	GROUND				
FUSE6	FB1-A6	RED	14	CPU1 VB80	CPU1-05				
R4-B7	FB1-D8	RED	14	RGB GEO IN POWER	SPLICE FUSE 5				
R4-B7A	FB1-C8	RED	14	RGB GEO IN GND	GROUND				
CPU2 POWER SPLICE	FB1-A8	RED	14	CPU2 VB85	CPU2-23				
FUSE10	FB1-A10	RED	18	CPU2 VB88	CPU2-34				
FUSE12	FB2-A2	RED	14	CPU2 VB80	CPU2-05				
R8-B7	FB2-D6	GREEN	14	LEAF BLEEDER OPEN PWR	SPLICE FUSE15				
R8-B7A	FB2-C6	GREEN	14	LEAF BLEEDER OPEN GND	GROUND				
R9-B7	FB2-D8	GN/YK	14	LEAF BLEEDER CLOSE PWR	SPLICE FUSE15				
R9-B7A	FB2-C8	GN/YK	14	LEAF BLEEDER CLOSE GND	GROUND				
GROUND STUD		BLACK	16	CPU1 GROUND	CPU1-1				
GROUND STUD		BLACK	16	CPU1 GROUND	CPU1-12				
GROUND STUD		BLACK	16	CPU1 GROUND	CPU1-15				
GROUND STUD		BLACK	16	CPU2 GROUND	CPU2-1				
GROUND STUD		BLACK	16	CPU2 GROUND	CPU2-12				
GROUND STUD		BLACK	16	CPU2 GROUND	CPU2-15				
CONNECTOR SW		RED	6	CONTACTOR B+	BATTERY +				
CONNECTOR GND		BLK	18	COIL GROUND	GROUND				
CPU1 POWER SPLICE		RED	18	TEST PROGRAM CPU1	CPU1-24				
FUSE2	FB1-A2	RED	18	CPU1 POWER CPU1	CPU1 POWER SPLICE				
CPU2 POWER SPLICE	FB1-A8	RED	18	CPU1 POWER CPU2	CPU2 POWER SPLICE				
FUSE1	FB1-A1	RED	14	SPLICE FUSE 1	SPLICE FUSE 1				
FUSE3	FB1-A5	RED	14	SPLICE FUSE 5	SPLICE FUSE 5				
FUSE15	FB2-A5	RED	14	SPLICE FUSE15	SPLICE FUSE15				
FUSE18	FB2-A8	OR	18	BEACON POWER	FB2-30				FB2-B9
FUSE14	FB2-A4	VI	18	ALT FLASH POWER	FB2-30				FB2-B3
PC2	PC2-C	WHITE	18	PC COM GND	CPU2-38				
PC2	PC2-A	WHITE	18	PC COM RXD #2	CPU2-6				
PC2	PC2-B	WHITE	18	PC COM TXD #2	CPU2-7				



REV	DESCRIPTION	DATE	BY
1	ADD CPU1 POWER SPLICE		

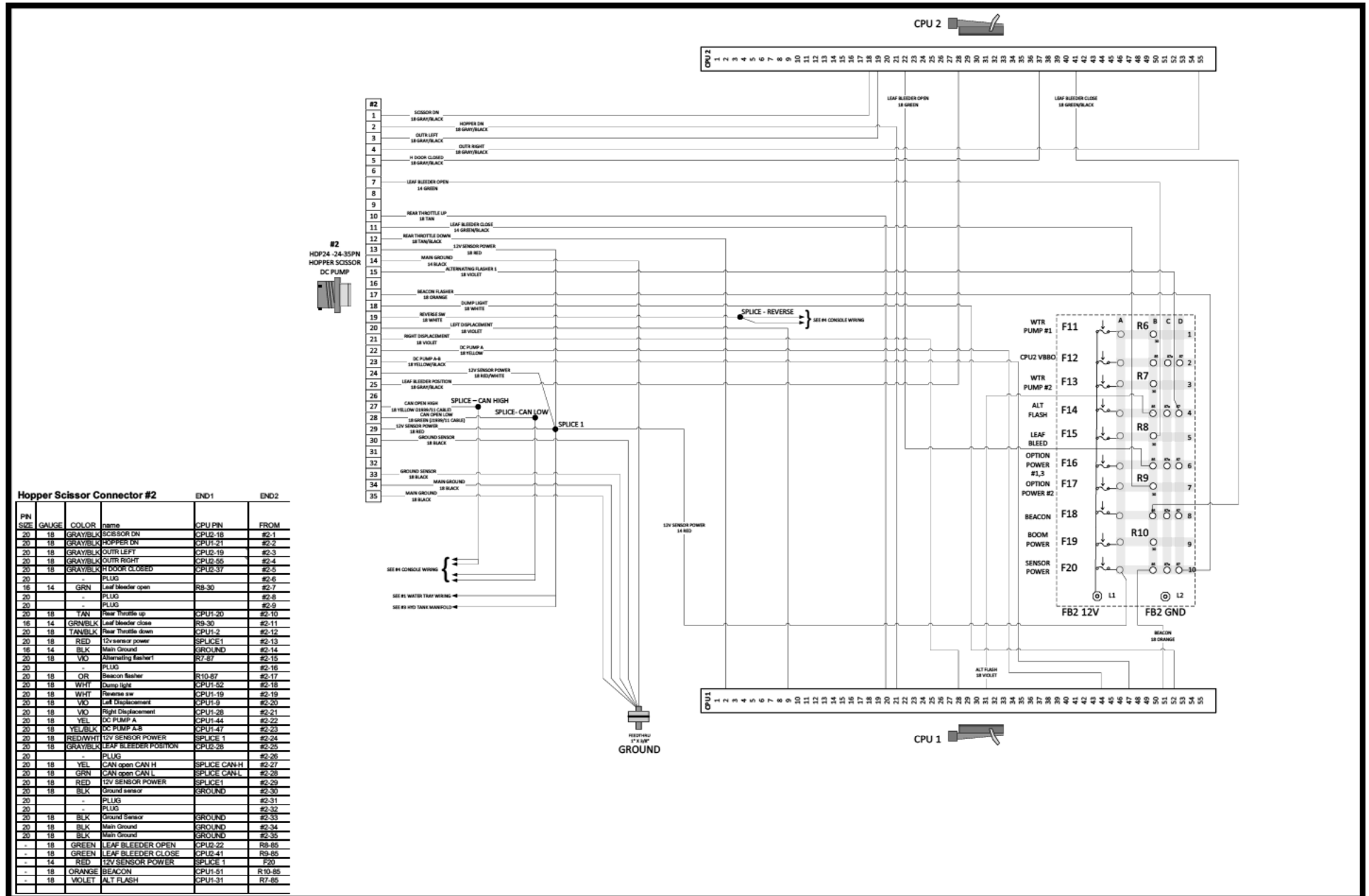
Section 7 - Schematics

#1 Water Tray CPU Box Wiring



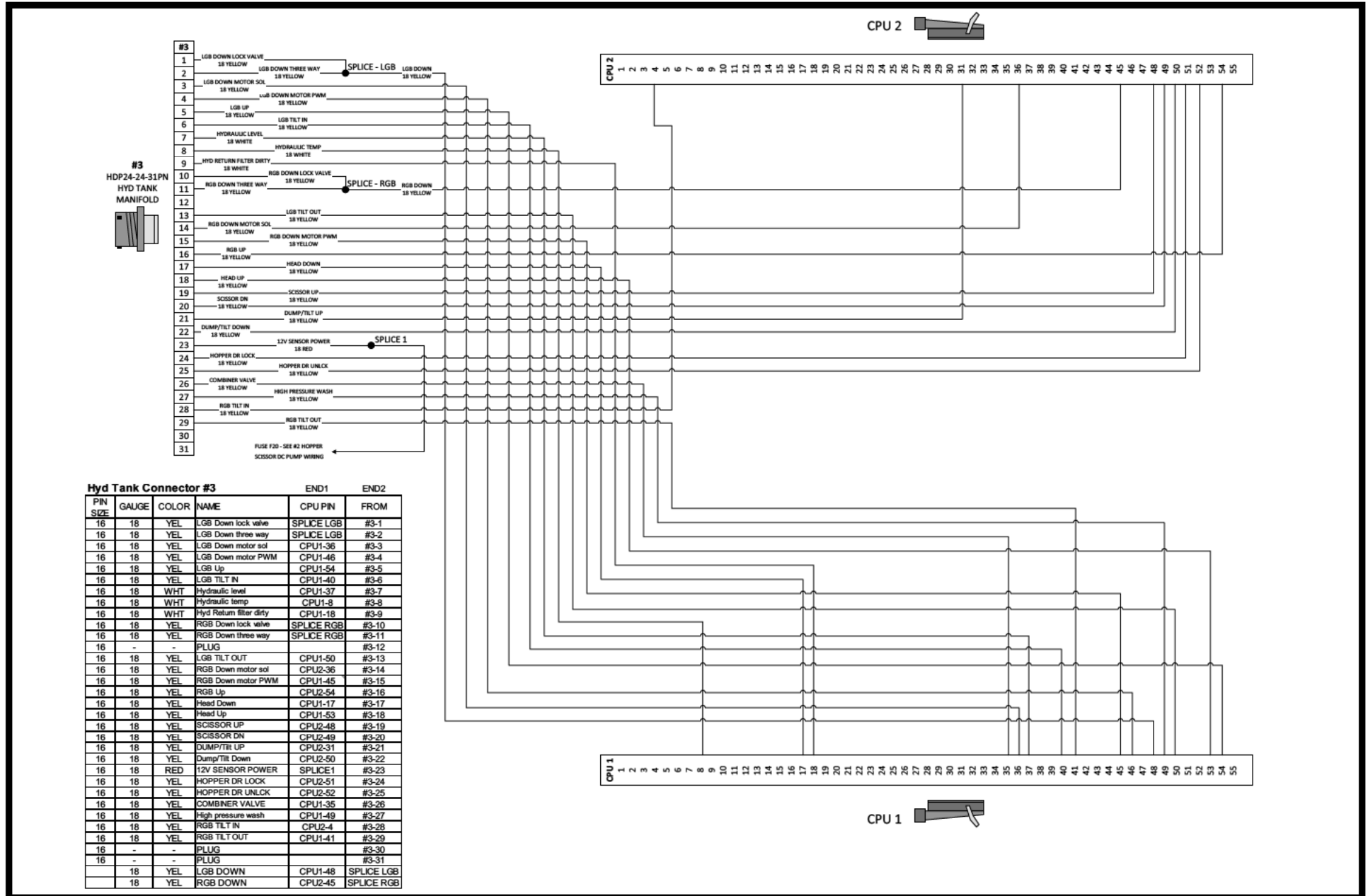
Section 7 - Schematics

#2 Hopper Scissor DC Pump CPU Box Wiring



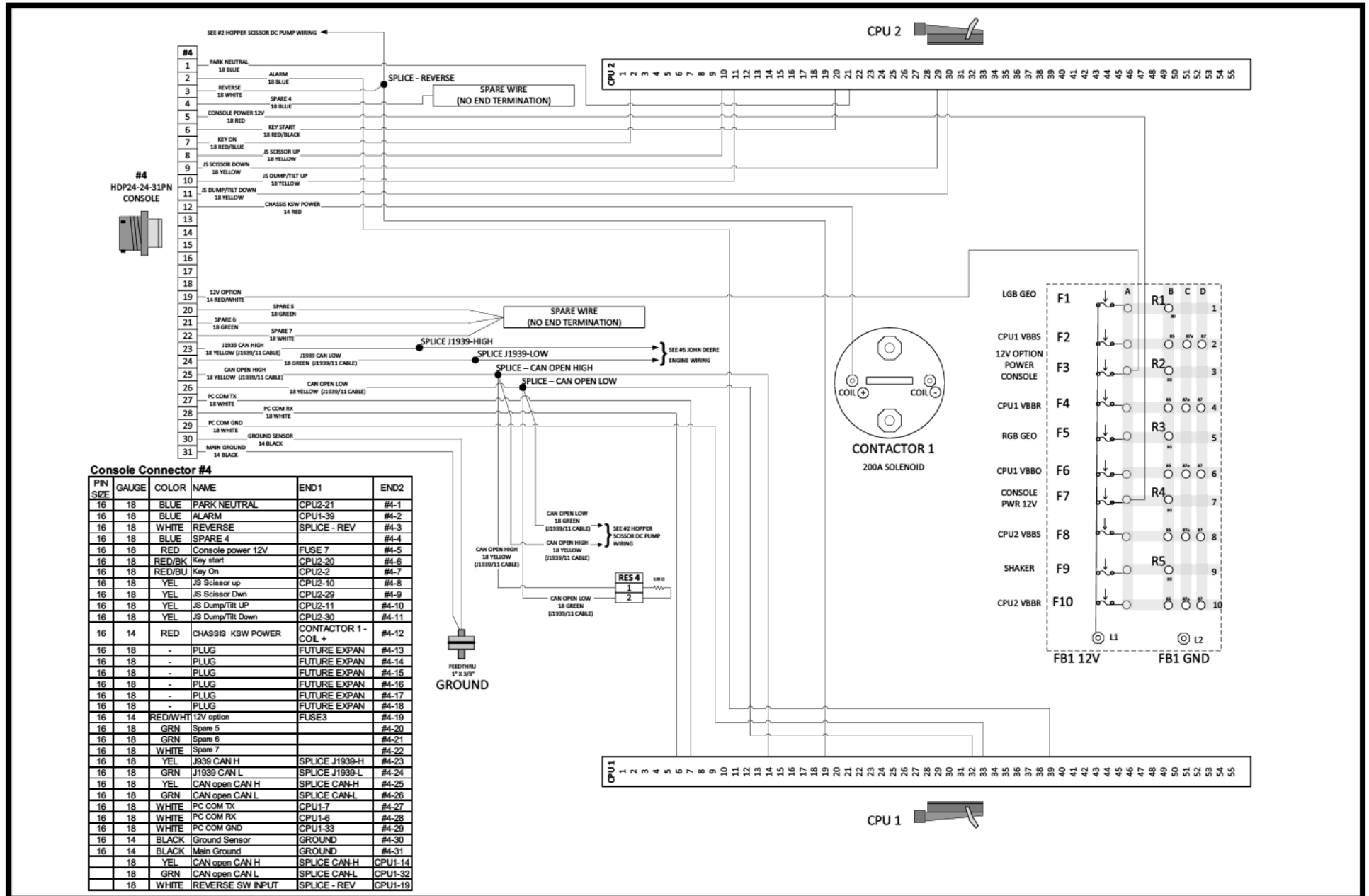
Section 7 - Schematics

#3 Hyd Tank Manifold CPU Box Wiring



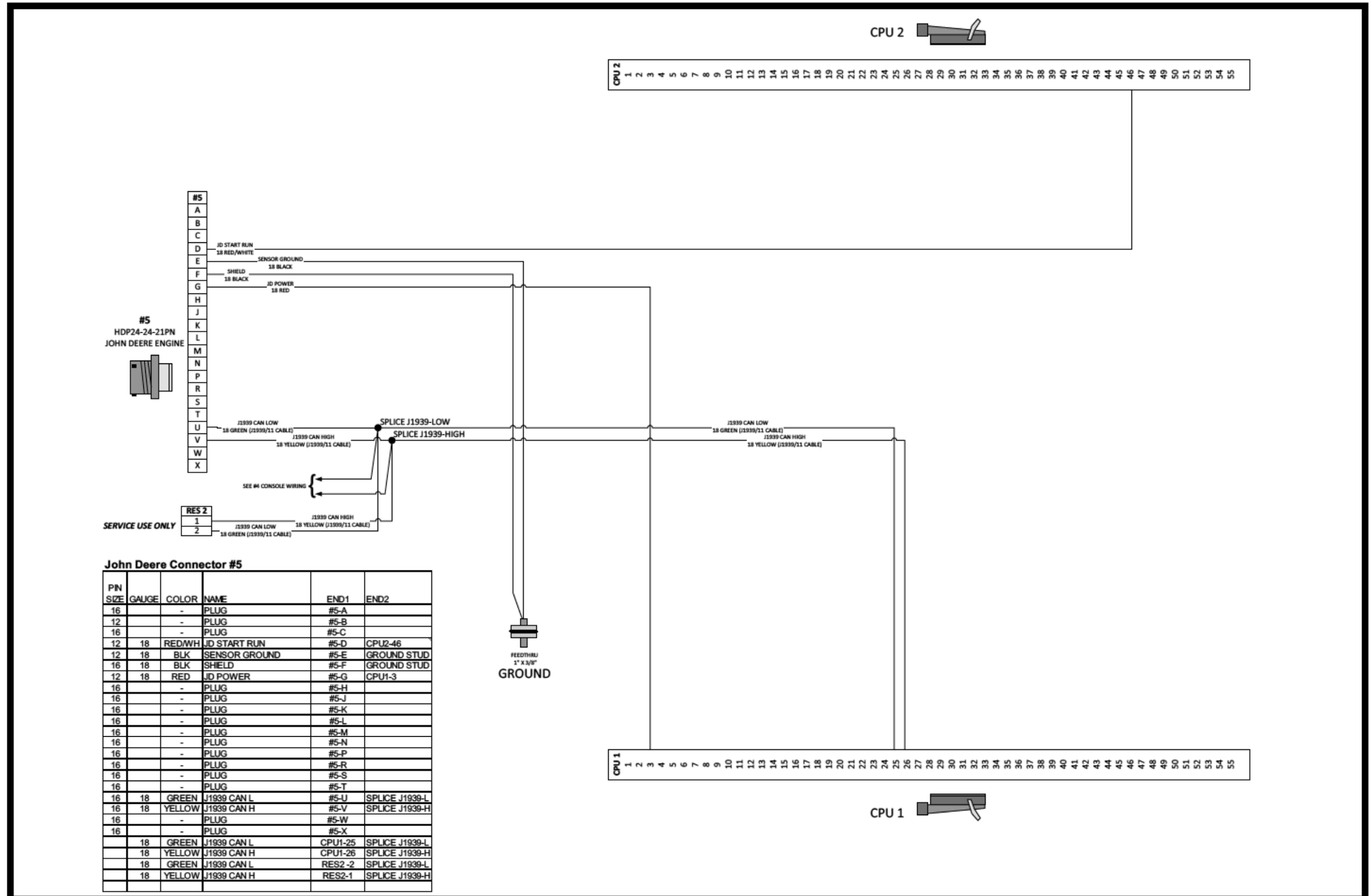
Section 7 - Schematics

#4 Console CPU Box Wiring



Section 7 - Schematics

#5 John Deere Engine CPU Box Wiring

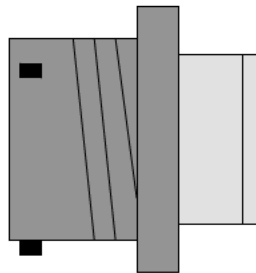


Section 7 - Schematics

CPU Box, Circular Junction Connector Service Information

FOR CPU JUNCTION CONNECTORS:

- #1 WATER TRAY
- #2 HOPPER/SCISSOR
- #3 HYD TANK/MANIFOLD
- #4 CONSOLE
- #5 JOHN DEERE ENGINE
- #6 FUSED POWER CONNECTOR



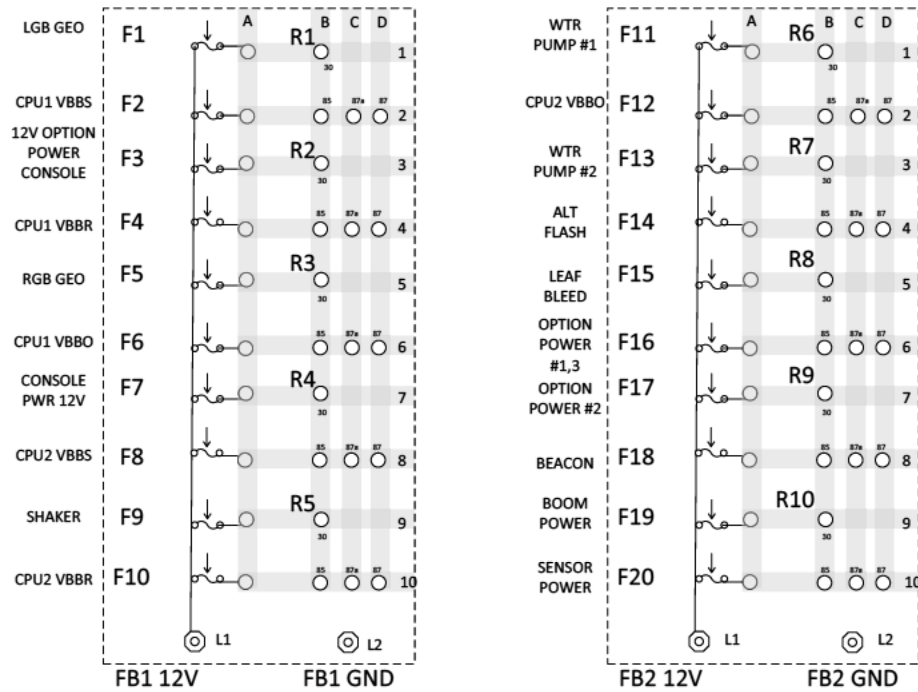
DEUTSCH HDP24-XX-XXXX CONNECTORS			
CONTACT SIZE	WIRE GAUGE	SOLID PIN CONTACT	CONTACT REMOVAL TOOL
20	16 & 18	0460-010-20141	0411-240-2005
16	16, 18 & 20	0460-202-16141	0411-310-1605
	14	0460-215-16141	0411-291-1405
12	12 & 14	0460-204-12141	114010

MOUNTING HARDWARE

PANEL NUT	2411-001-2405
WAVE WASHER	2414-001-2486
GASKET	16-04477

Section 7 - Schematics

CPU Box, Fuse Block Service Information



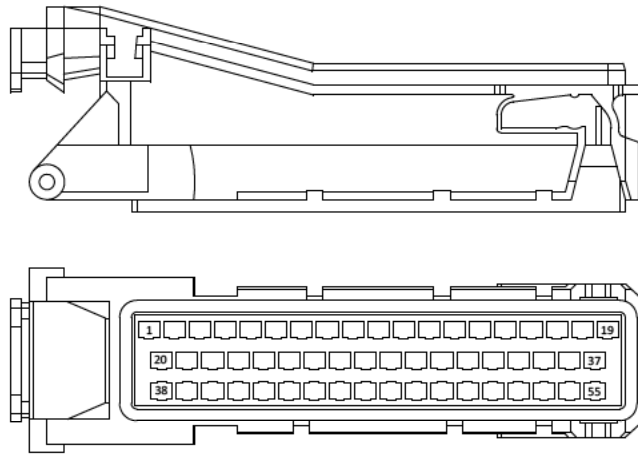
BUSSMANN 15303-2 FUSE BLOCKS				
DELPHI TERMINALS/SEALS				
TERMINAL SERIES	WIRE GAUGE	CABLE SEAL	SOCKET TERMINAL	TERMINAL REMOVAL TOOL
280 METRI-PACK	18	15324982	12110847	12094429
	16	15324982	12129409	
	14	15324980	12129409	
	12	15324980	12110853	
	10	15324981	12110853	

ALL FUSEBLOCK CAVITIES 280 SERIES METRI-PACK
CABLE SEAL PARTS BASED ON USE OF GXL WIRE

Section 7 - Schematics

CPU Box, CPU Connector Service Information

FOR CPU1 & CPU 2



TE CONNECTIVITY CONNECTORS FOR CPU1 & CPU2			
TERMINAL SERIES	WIRE GAUGE	SOCKET TERMINAL	TERMINAL REMOVAL TOOL
JPT	20, 18 & 16	2-927770-1	1-1579007-6

CONNECTOR HOUSING 929672-1

CABLE COVER 929674-1

Section 7 - Schematics

CPU Box, Diode & Resistor Cap Service Information

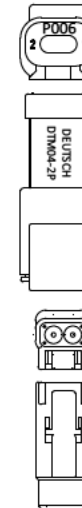
FOR DIODES:
 D1 – SHAKER HOPPER DIODE
 D2 – WATER PUMP #1 DIODE
 D3 – WATER PUMP #2 DIODE



DIODE CONNECTORS D1, D2 & D3	
CONNECTOR: DEUTSCH DT06-2S	
CAV	SOLID CONTACT PART NUMBER
1	0462-201-16141
2	0462-201-16141

DIODE CAPS D1, D2 & D3
DT04-2P-RT01

FOR RESISTORS:
 R2 – J1939 SERVICE PORT (NO RESISTOR CAP)
 R4 – CAN OPEN TERMINATING RESISTOR

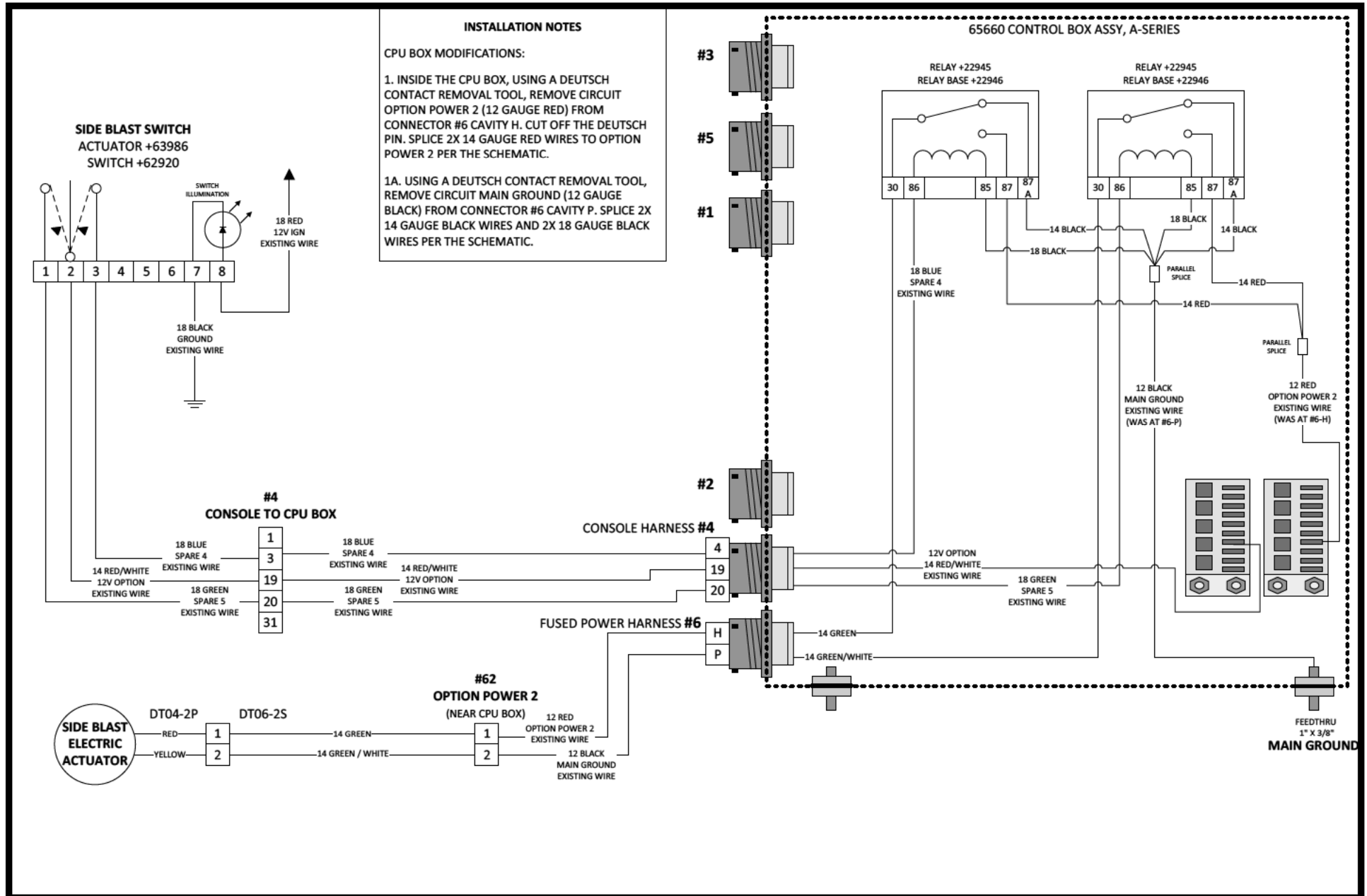


RESISTOR CONNECTOR R2 & R4	
CONNECTOR: DEUTSCH DTM06-2S	
CAV	SOLID CONTACT PART NUMBER
1	0462-005-2031
2	0462-005-2031

RESISTOR CAP R4
DTM04-2P-P006

Section 7 - Schematics

SK-2422 SIDE BLAST HEAD



INSTALLATION NOTES

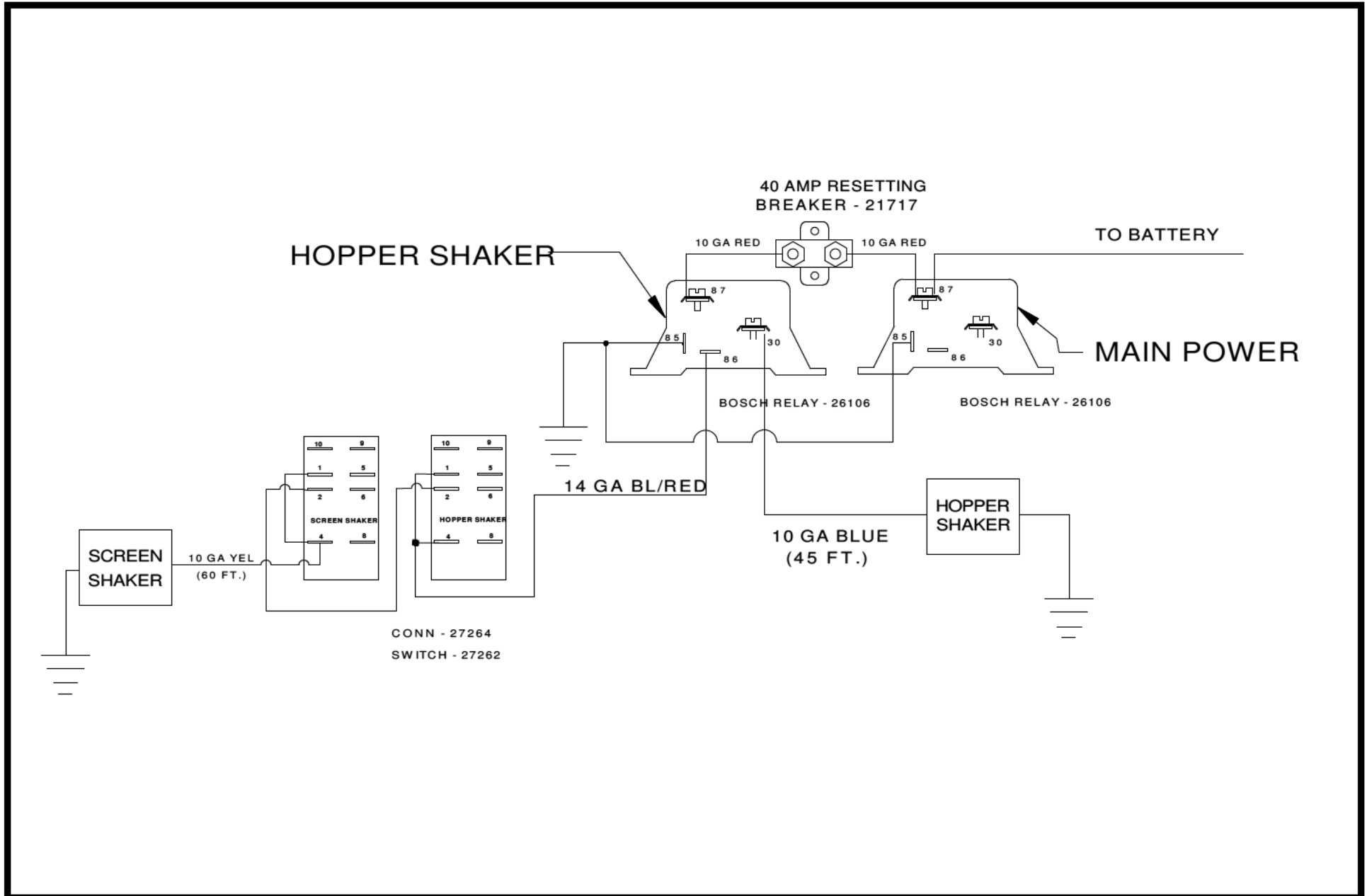
CPU BOX MODIFICATIONS:

1. INSIDE THE CPU BOX, USING A DEUTSCH CONTACT REMOVAL TOOL, REMOVE CIRCUIT OPTION POWER 2 (12 GAUGE RED) FROM CONNECTOR #6 CAVITY H. CUT OFF THE DEUTSCH PIN. SPLICE 2X 14 GAUGE RED WIRES TO OPTION POWER 2 PER THE SCHEMATIC.

1A. USING A DEUTSCH CONTACT REMOVAL TOOL, REMOVE CIRCUIT MAIN GROUND (12 GAUGE BLACK) FROM CONNECTOR #6 CAVITY P. SPLICE 2X 14 GAUGE BLACK WIRES AND 2X 18 GAUGE BLACK WIRES PER THE SCHEMATIC.

Section 7 - Schematics

SK-2352 HOPPER SHAKER




Section 7 - Schematics

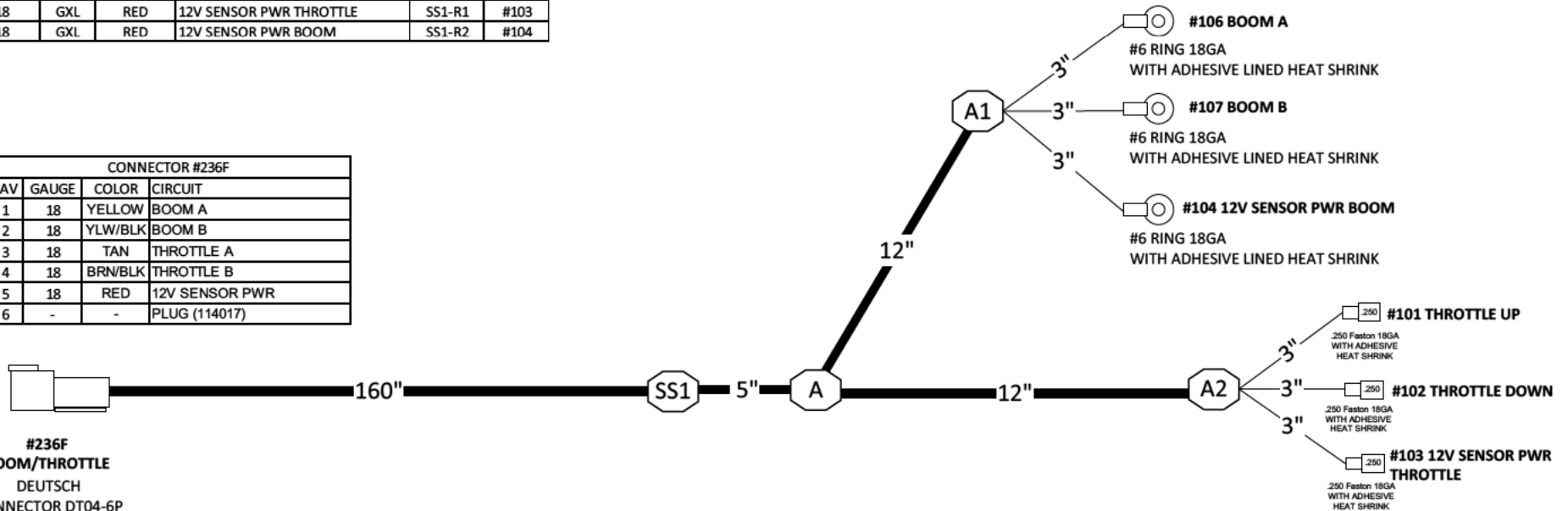
66677 HARNESS, REM THROTTLE/HYD BOOM

WIRE REPORT					
GAUGE	INSL	COLOR	DESCRIPTION	END 1	END 2
18	GXL	YELLOW	BOOM A	#236F-1	#106
18	GXL	YLW/BLK	BOOM B	#236F-2	#107
18	GXL	TAN	THROTTLE UP	#236F-3	#101
18	GXL	BRN/BLK	THROTTLE DOWN	#236F-4	#102
18	GXL	RED	12V SENSOR PWR	#236F-5	SS1-L1
18	GXL	RED	12V SENSOR PWR THROTTLE	SS1-R1	#103
18	GXL	RED	12V SENSOR PWR BOOM	SS1-R2	#104

CONNECTOR #236F			
CAV	GAUGE	COLOR	CIRCUIT
1	18	YELLOW	BOOM A
2	18	YLW/BLK	BOOM B
3	18	TAN	THROTTLE A
4	18	BRN/BLK	THROTTLE B
5	18	RED	12V SENSOR PWR
6	-	-	PLUG (114017)

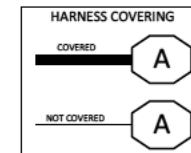


#236F
BOOM/THROTTLE
 DEUTSCH
 CONNECTOR DT04-6P
 LOCK W6P
 PINS 0460-202-16141



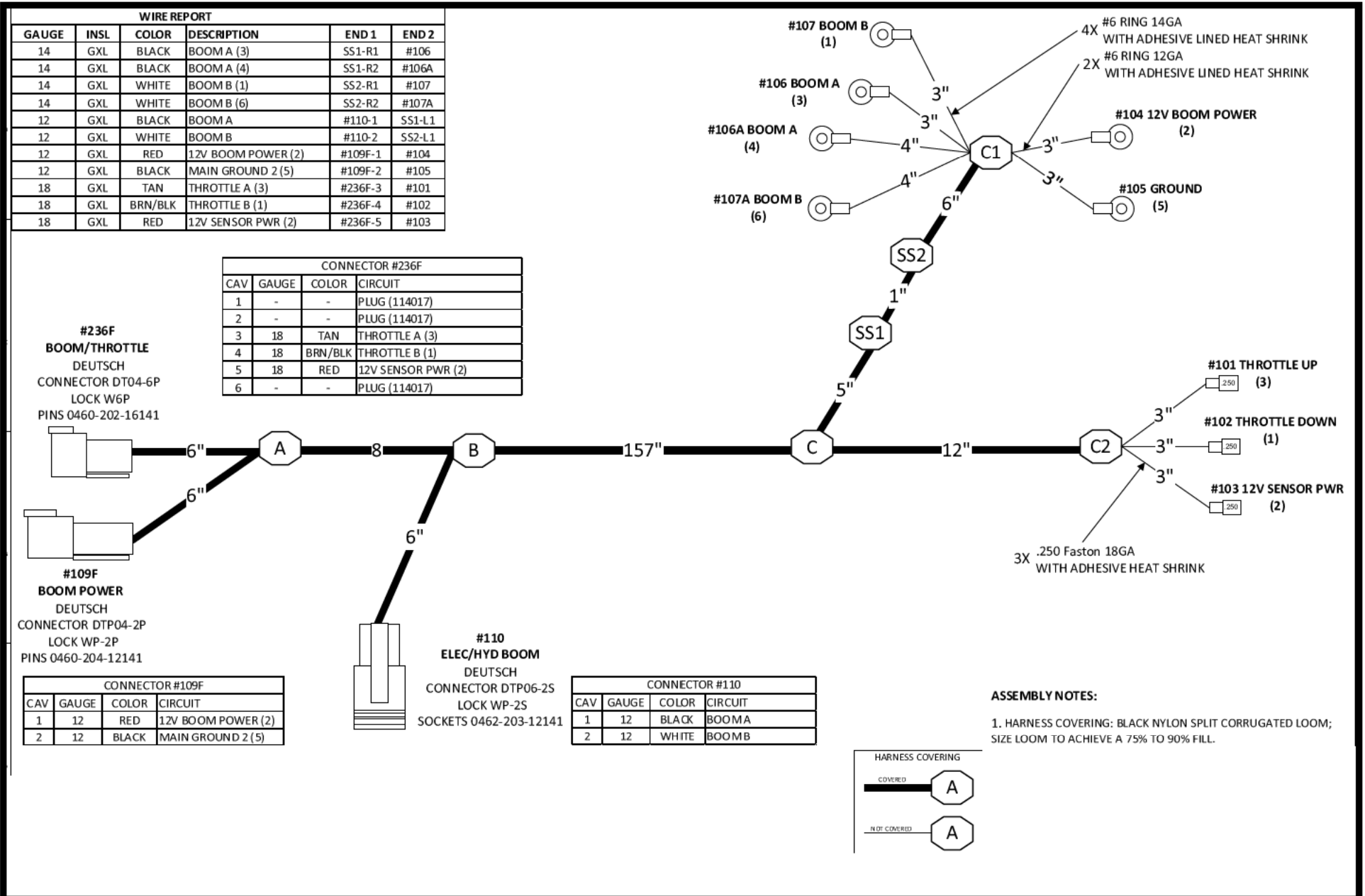
ASSEMBLY NOTES:

1. HARNESS COVERING: BLACK NYLON SPLIT CORRUGATED LOOM; SIZE LOOM TO ACHIEVE A 75% TO 90% FILL.



Section 7 - Schematics

66689 HARNESS, REM THROTTLE/E BOOM



Section 7 - Schematics

66646 HARNESS, EXTENSION, CAN MODULE

WIRE REPORT						
CABLE TYPE	GAUGE	INSL TYPE	COLOR	DESCRIPTION	END 1	END 2
-	18	GXL	BLACK	EXT CTRL GND	#42F-1	#42M-1
-	18	GXL	RED	EXT CTRL PWR	#42F-2	#42M-2
J1939/15	18	GXL	YELLOW	EXT CTRL J1939 CAN H	#42F-3	#42M-3
J1939/15	18	GXL	GREEN	EXT CTRL J1939 CAN L	#42F-4	#42M-4

CONNECTOR #42F			
CAV	GAUGE	COLOR	CIRCUIT
1	18	BLACK	EXT CTRL GND
2	18	RED	EXT CTRL PWR
3	18	YELLOW	EXT CTRL J1939 CAN H
4	18	GREEN	EXT CTRL J1939 CAN L

CONNECTOR #42M			
CAV	GAUGE	COLOR	CIRCUIT
1	18	BLACK	EXT CTRL GND
2	18	RED	EXT CTRL PWR
3	18	YELLOW	EXT CTRL J1939 CAN H
4	18	GREEN	EXT CTRL J1939 CAN L

CONNECTOR #42F
EXT CONTROLS
 DEUTSCH
 CONNECTOR DT04-4P
 LOCK W4P
 PINS 0460-202-16141



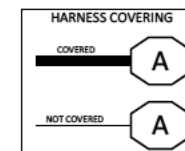
90"

CONNECTOR #42M
EXT CONTROLS
 DEUTSCH
 CONNECTOR DT06-4S
 LOCK W4S
 SOCKETS 0462-201-16141



ASSEMBLY NOTES:

1. HARNESS COVERING: 3/8" BLACK NYLON SPLIT CORRUGATED LOOM.
2. J1939/15 CABLE CAN BE SUBSTITUTED WITH J1939/11 SPEC CABLE.



Section 7 - Schematics

65679 HARNESS, WATER TRAY

